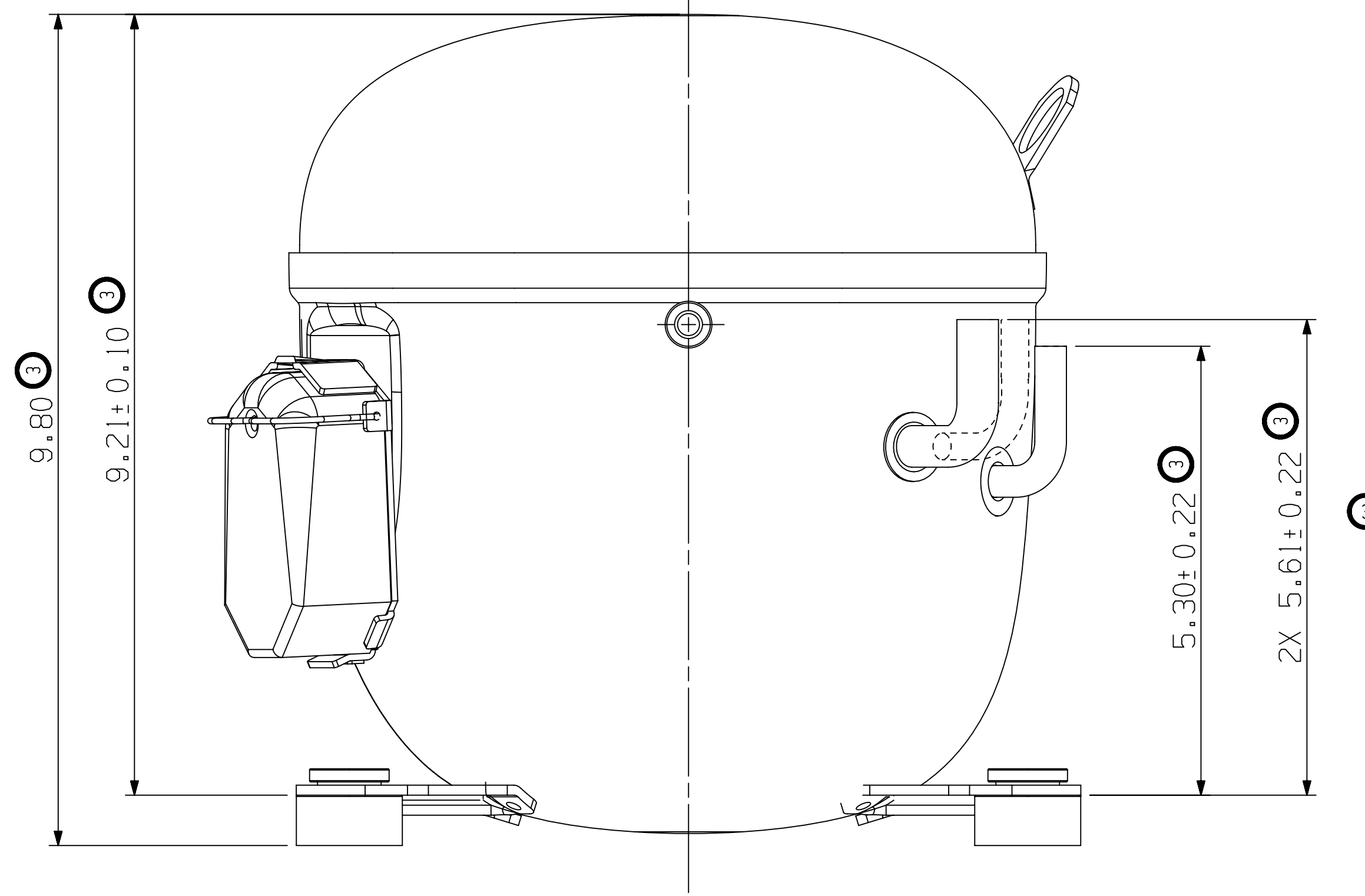
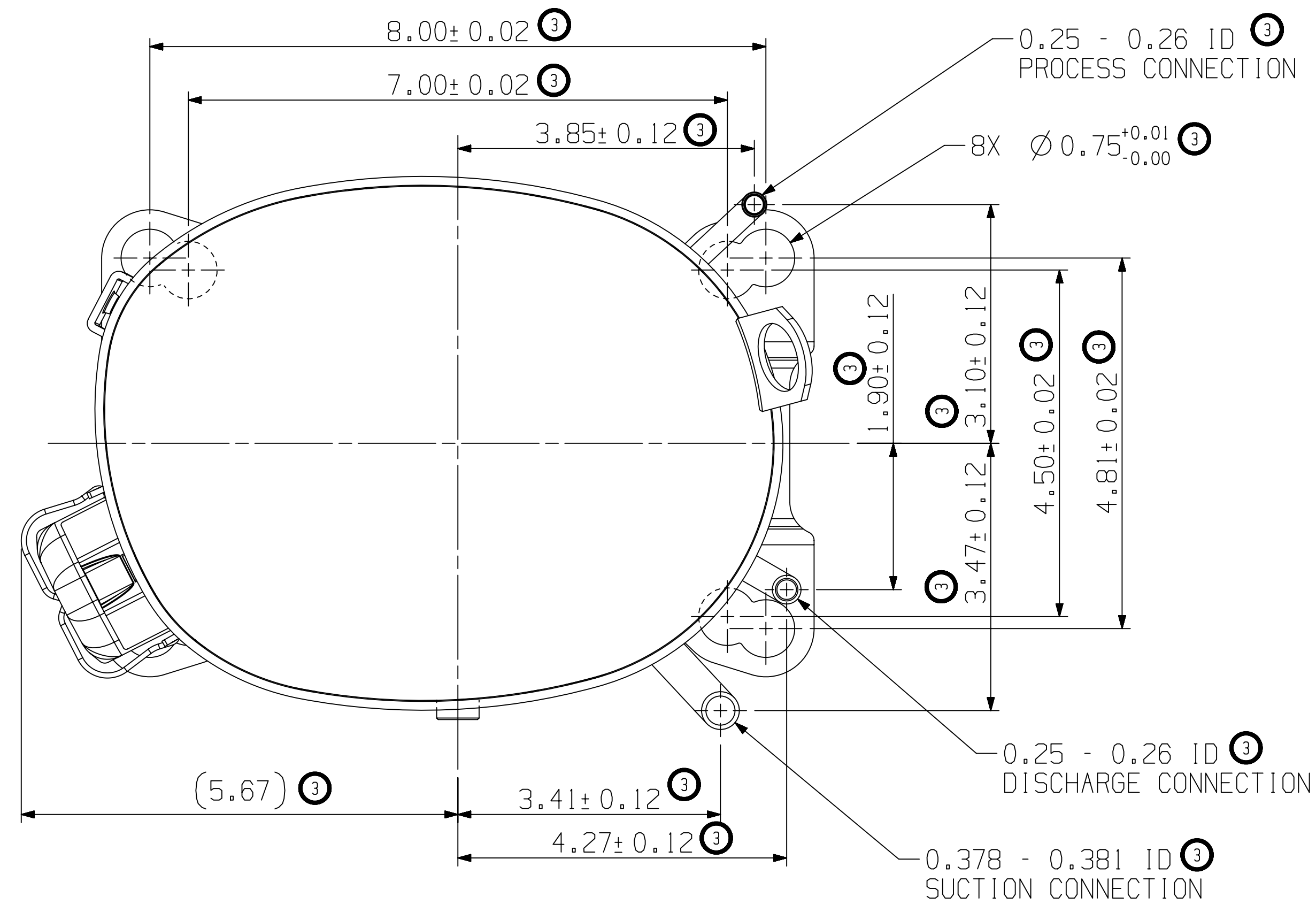
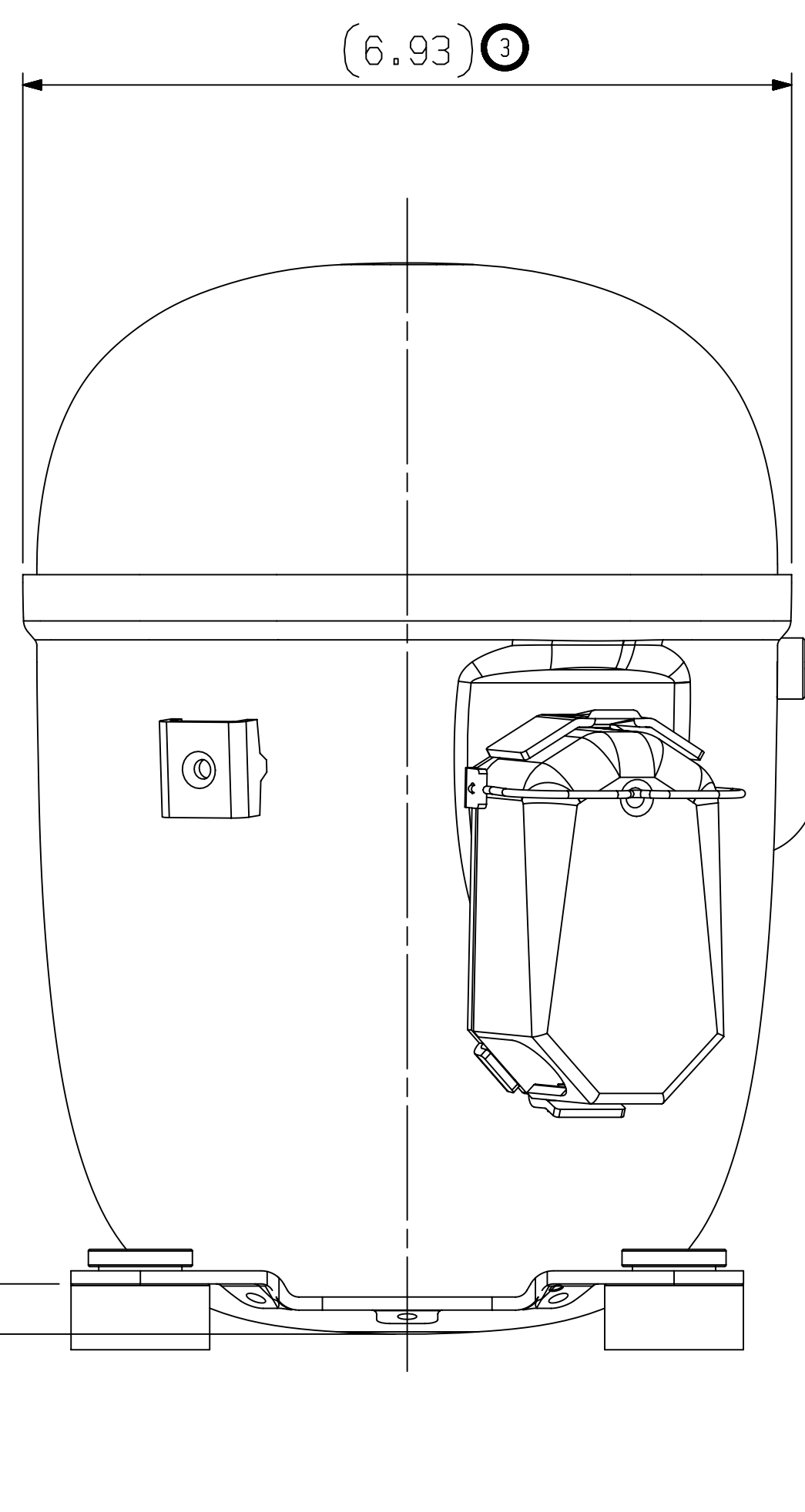


MODEL
RFT32C1E-CAA
RFT32C1E-IAA
RFT61C1E-CFA
RST64C1E-CAV
RST64C1E-CAZ
RST64C1E-CFA
RST64C1E-IAV
RST64C1E-IAZ



EMERSON
Copeland™

INTERPRET PER ASME Y14.5M-1994 AND EMERSON DESIGN STANDARDS DS2002

DO NOT SCALE DRAWING

THIRD ANGLE PROJECTION

UNLESS OTHERWISE SPECIFIED DIMENSIONS ARE INCH OR MILLIMETER

TOLERANCES:
 2-PLACE ± N/A
 3-PLACE ± N/A
 ANGULAR ± N/A

ENG NOTICE NO.	REV. NO.	REVISIONS	DATE	BY	CHKD
ECN308072	3	REDRAWN WITH CHANGES	07-06-18	SD	JSK
34-0210-020	0	RELEASED	02-19-10	KG	BP

CONFIDENTIALITY NOTICE

20 THIS DRAWING AND INFORMATION CONTAINED HEREIN ARE THE EXCLUSIVE PROPERTY OF EMERSON CLIMATE TECHNOLOGIES, INC AND/OR ITS AFFILIATES (COLLECTIVELY "EMERSON") AND SHALL BE RETURNED UPON DEMAND AND SHALL NOT BE REPRODUCED IN WHOLE OR IN PART, DISCLOSED TO ANYONE ELSE OR USED, WITHOUT THE WRITTEN CONSENT OF EMERSON.

MATERIAL SPECIFICATION	DRAWN BY	SUPERSEDES DWG NO / REV NO
N/A	SD	497-2855-01 / 002
	DATE	SCALE
	07-06-18	3:4

TITLE	DRAWING NUMBER	SHEET 1 OF 1 DWG
REF DWG-WELDED COMP ASSM	497-2855-01	4