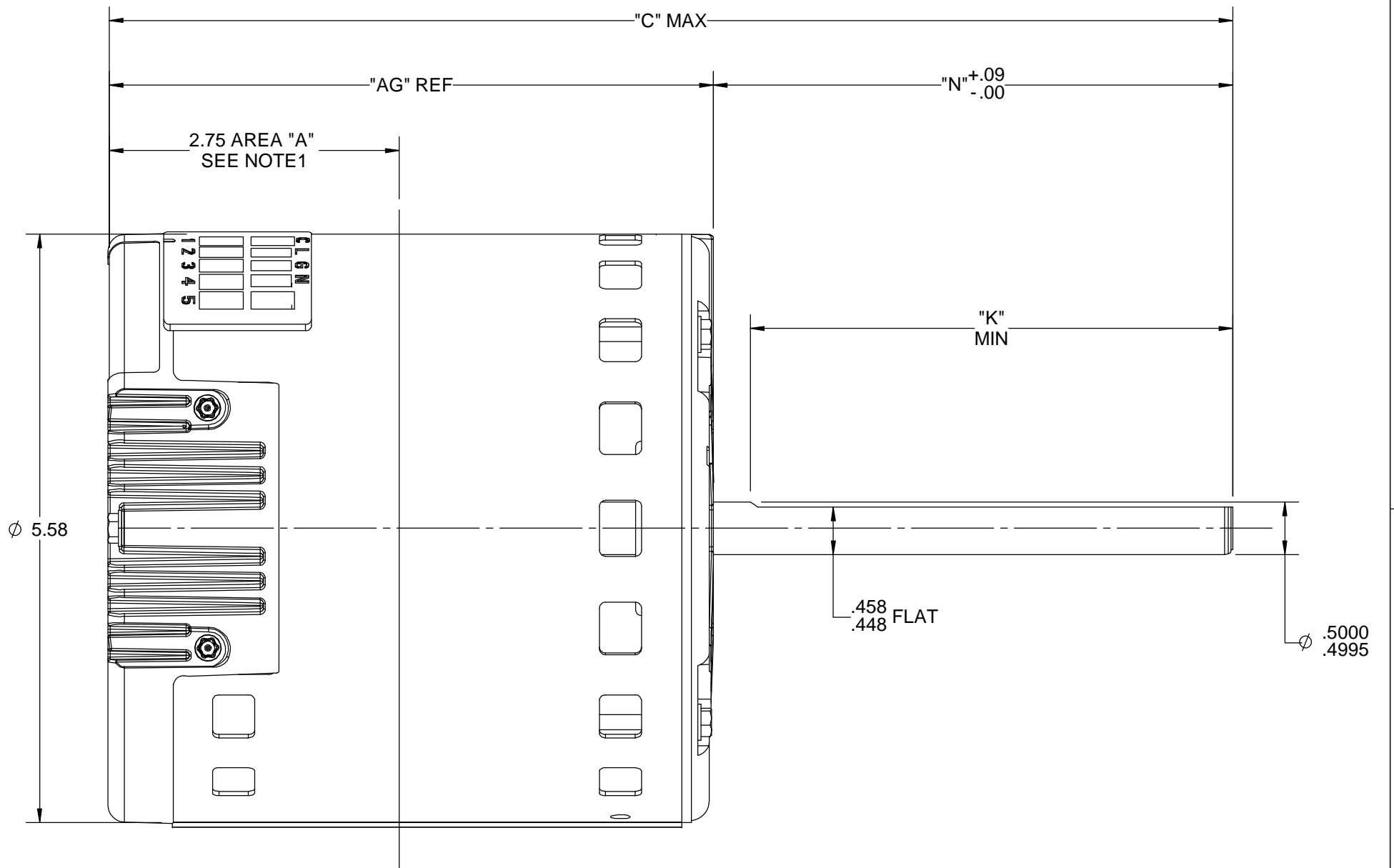
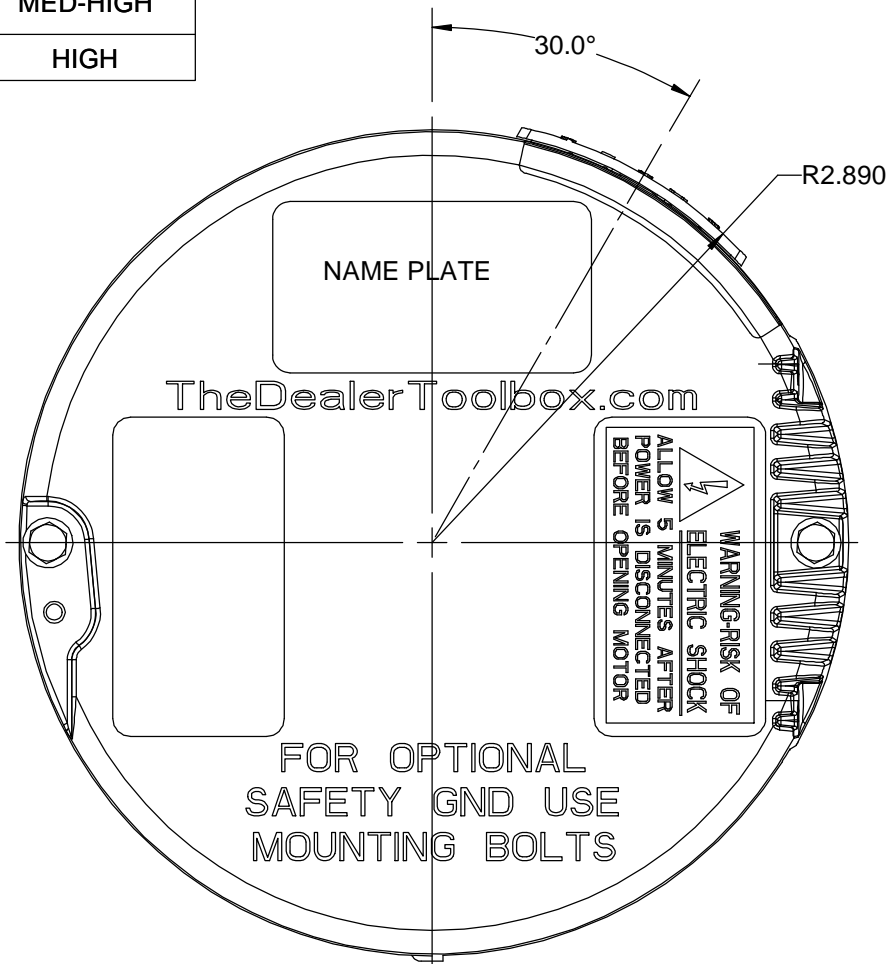


CONNECTOR ID	DESCRIPTION
C	SIGNAL COMMON
L	LINE 1
G	GROUND
N	LINE 2
1	LOW (PWM)
2	MED-LOW
3	MED
4	MED-HIGH
5	HIGH



NOTES:

- BELLY BAND MUST NOT BE PLACED WITHIN AREA "A".
- APPROXIMATE WEIGHT IS 11.4 LBS.

NAMEPLATE DATA	
MODEL	5SME39HXL447
CUSTOMER	DEF PUR
CPN/STOCK NO.	6205E
H.P.	1/2
RPM	1075
VOLTS	208-230
HZ	60/50
AMPS	4.1
ROTATION	CCW/CW
MTG POSITION	HOR/VSD

10.67	4.92	4.50	5.75
C	N	K	AG

DRAWING REVISION E	REVISION BY KEP	DATE 12/18/2017
ECO ECO-0129397	APPROVED BY ANDREA	DATE 12/18/2017
ECO DESCRIPTION UPDATED AS PER ECO REQUEST		
<small>COPYRIGHT REGAL BELOIT AMERICA, INC. ALL RIGHTS RESERVED. PROPRIETARY AND CONFIDENTIAL INFORMATION - THIS DOCUMENT IS THE PROPERTY OF REGAL BELOIT AMERICA, INC. ("OWNER") AND CONTAINS OWNER'S PROPRIETARY INFORMATION. ANY PERSON, CORPORATION OR OTHER FIRM RECEIVING IT IS DEEMED, BY RECEIVING IT, TO AGREE THAT IT, AND/OR ANY PART OF IT, SHALL NOT BE DISCLOSED TO ANY PERSON, CORPORATION OR OTHER ENTITY, DUPLICATED, AND/OR USED, EXCEPT AS EXPRESSLY APPROVED IN WRITING IN ADVANCE BY OWNER. THIS DOCUMENT SHALL BE RETURNED TO OWNER UPON REQUEST. IT MAY BE SUBJECT TO CERTAIN RESTRICTIONS UNDER APPLICABLE EXPORT CONTROL LAWS AND REGULATIONS.</small>		

DRAWN BY KEP	Regal Beloit America, Inc.
DATE 12/28/2012	
APPROVED BY KEP	
DATE 12/28/2012	
REFERENCE	DESCRIPTION OUTLINE EnduraPro
THIRD ANGLE PROJECTION	MATERIAL
SIZE B	DRAWING NUMBER 5SME39HXL447
	PROCESS/FINISH
	SHEET 1 OF 1