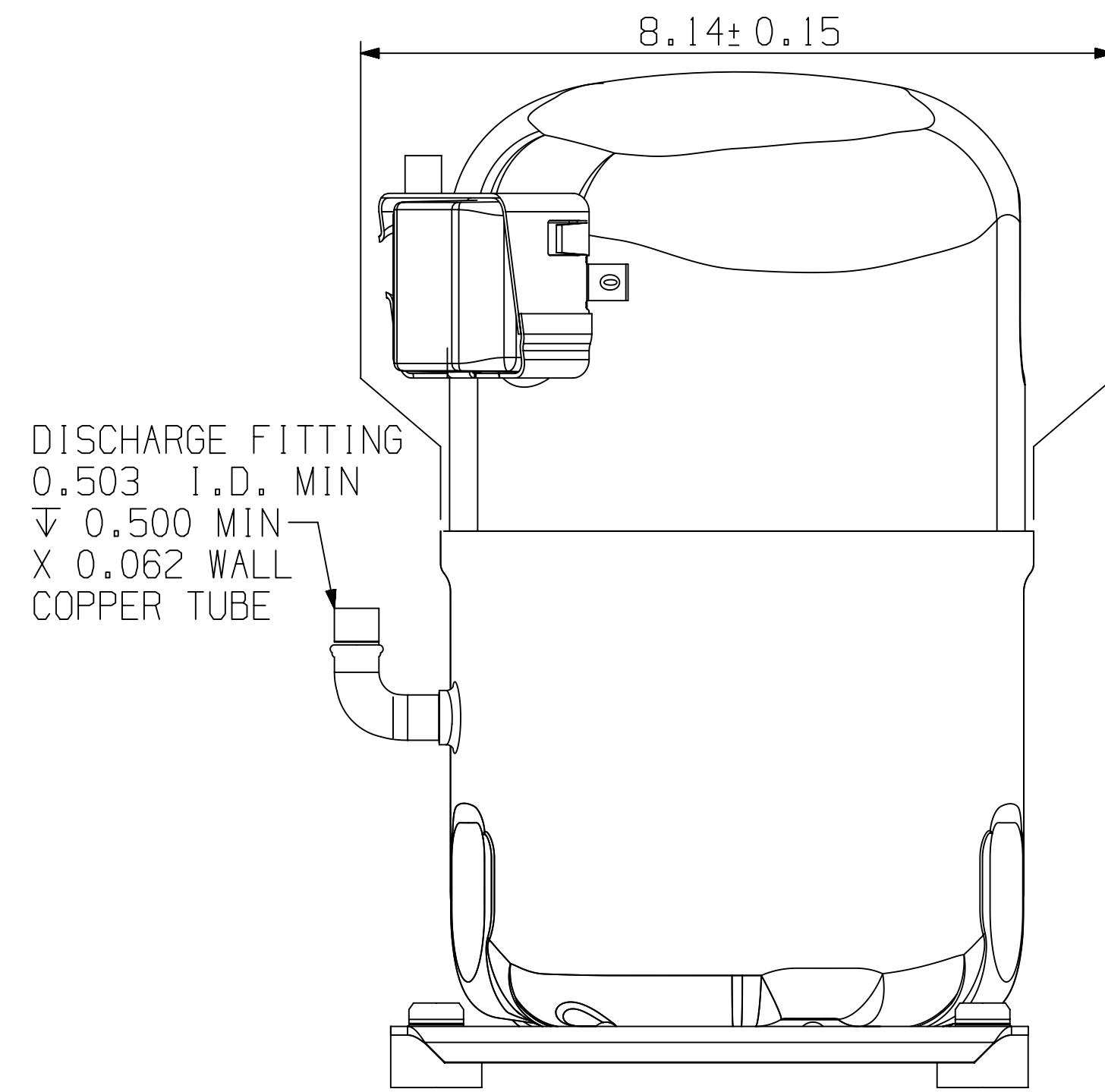
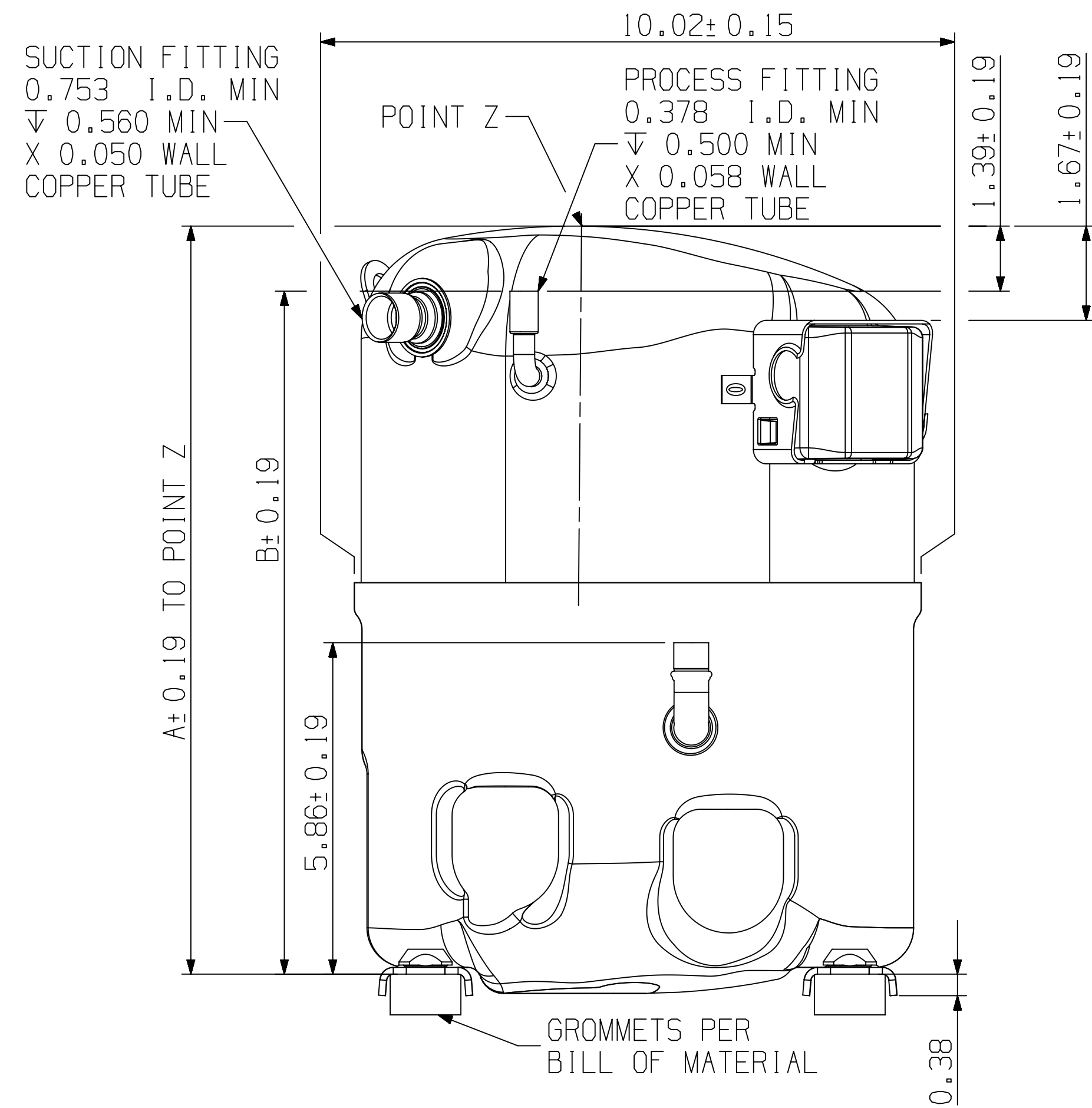
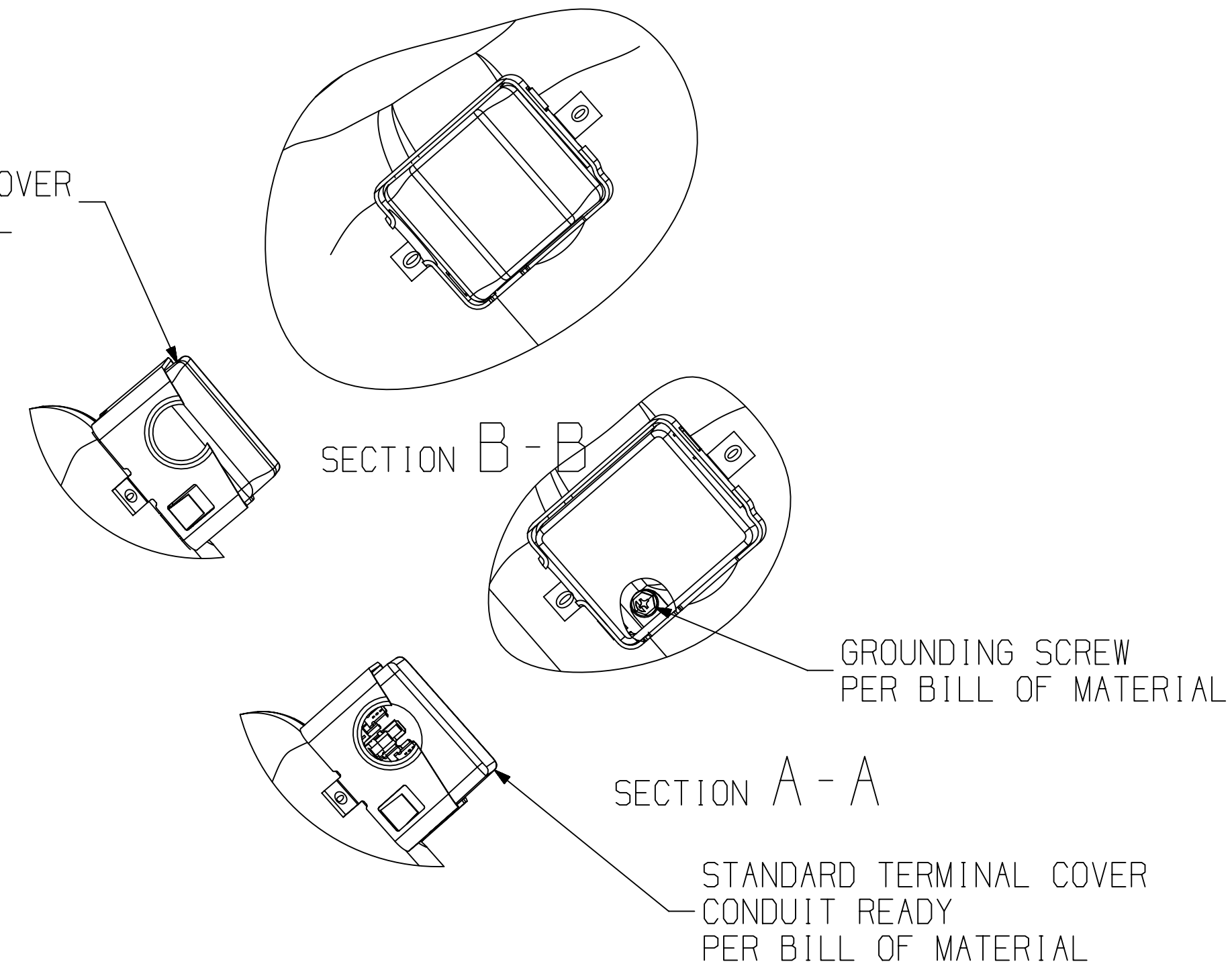
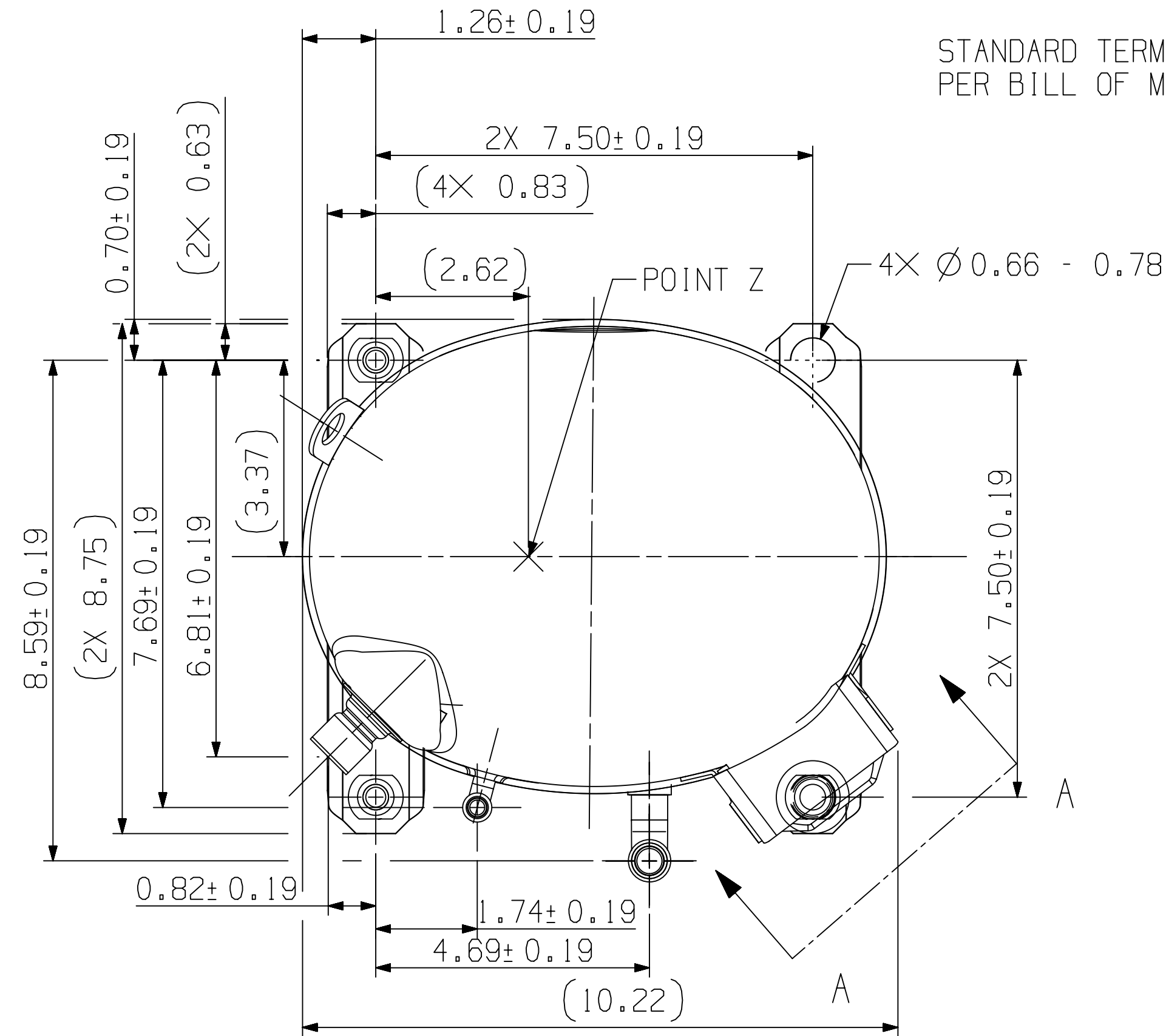


SPECIFICATIONS	
ES NO.	DESCRIPTION
ES22-122	PACKAGING
ES81-159	CLEANLINESS
ES81-250	IDENTIFICATION
ES92-155	CONVERSION-METRIC
ES92-167	REGULATORY COMPLIANCE



INTERPRET PER ASME Y14.5M-1994 AND EMERSON DESIGN STANDARDS DS2002
DO NOT SCALE DRAWING

CRITICAL PRODUCT CHARACTERISTICS

UNLESS OTHERWISE SPECIFIED DIMENSIONS ARE INCH OR (MILLIMETER)
TOLERANCES:
2-PLACE ± 0.015
3-PLACE ± 0.005
ANGULAR ± 0.5°

ENG NOTICE NO.	REV. NO.	REVISIONS	DATE	BY	CHKD
	2	REDRAWN IN NX	05-11-18	ASM	
ECN004422	1	REDRAW WITH CHANGES	09-07-11	PAS	KRB
ECN003882	0	RELEASED	05-20-11	KRB	BAH

CONFIDENTIALITY NOTICE

3 THIS DRAWING AND INFORMATION CONTAINED HEREIN ARE THE EXCLUSIVE PROPERTY OF EMERSON CLIMATE TECHNOLOGIES, INC AND/OR ITS AFFILIATES (COLLECTIVELY "EMERSON") AND SHALL BE RETURNED UPON DEMAND AND SHALL NOT BE REPRODUCED IN WHOLE OR IN PART, DISCLOSED TO ANYONE ELSE OR USED, WITHOUT THE WRITTEN CONSENT OF EMERSON.

MATERIAL SPECIFICATION	DRAWN BY	SUPERSEDES DWG NO / REV NO
	KRB	497-3822-00 / 001
	DATE	SCALE
	05-20-11	1:2

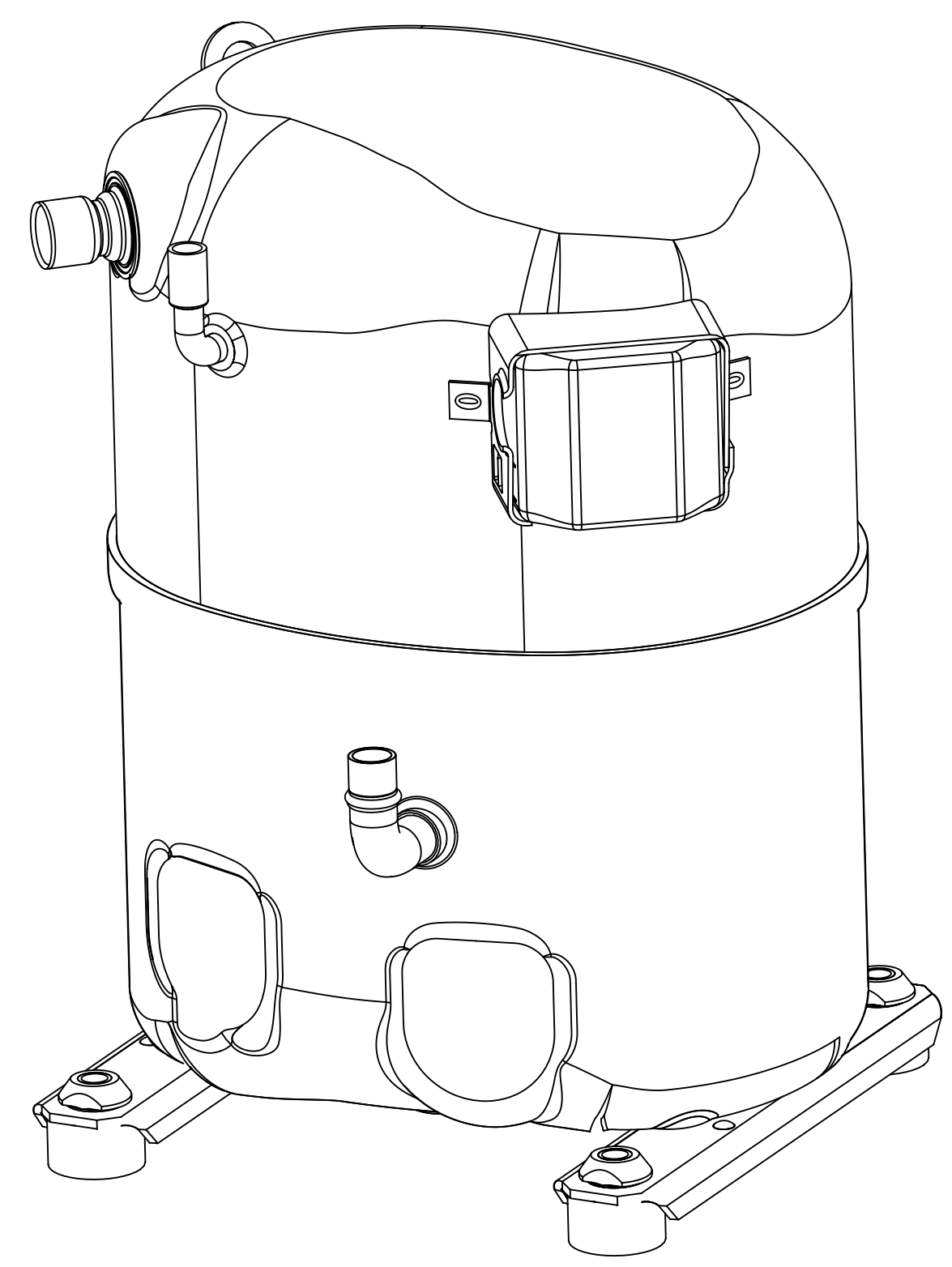
TITLE	DRAWING NUMBER	SHEET 1 OF 2 DWG
REF DWG - WELD COMP ASSM	497-3822-00	4

\triangle_3 PART NUMBER	A	B
497-3822-00	12.924	11.065
497-3822-01	12.924	11.065
497-3822-02	13.424	11.565
497-3822-03	13.424	11.565
497-3822-04	13.924	12.065
497-3822-05	13.924	12.065
497-3822-06	12.924	11.065
497-3822-07	12.924	11.065
497-3822-08	13.424	11.565
497-3822-09	13.924	12.065
497-3822-10	13.924	12.065

SPECIFICATIONS	
ES NO.	DESCRIPTION
ES22-122	PACKAGING
ES81-159	CLEANLINESS
ES81-250	IDENTIFICATION
ES92-155	CONVERSION-METRIC
ES92-167	REGULATORY COMPLIANCE

MODEL/PART CROSS REF \triangle_3		
MODEL NUMBER	PART NUMBER FOR SE -245	PART NUMBER FOR SE -247
CF04K6E-PFV	497-3822-00	497-3822-06
CF04K6E-TF5		
CF06K6E-PFV		
CF06K6E-TF5	497-3822-01	497-3822-07
CF06K6E-TFD		
CF09K6E-PFV		
CF09K6E-TF5	497-3822-02	497-3822-08
CF09K6E-TFD		
CF12K6E-PFV	497-3822-04	497-3822-10
CF12K6E-TF5		
CF12K6E-TFD	497-3822-05	497-3822-11
CF12K6E-TFE		

NOTES:
1. TOLERANCES TO BE ± 0.12 UNLESS OTHERWISE SPECIFIED.
2. TUBE ENDS MUST BE PLUGGED.
 \triangle_3 FOR MODEL APPLICATION REFER TO CHART.



EMERSON
Copeland

INTERPRET PER ASME Y14.5M-1994 AND EMERSON DESIGN STANDARDS DS2002
DO NOT SCALE DRAWING

CRITICAL PRODUCT CHARACTERISTICS

UNLESS OTHERWISE SPECIFIED DIMENSIONS ARE INCH OR (MILLIMETER)
TOLERANCES:
2-PLACE ± 0.015
3-PLACE ± 0.005
ANGULAR $\pm 0.5^\circ$

ENG NOTICE NO.	REV. NO.	REVISIONS	DATE	BY	CHKD
	2	REDRAWN IN NX	05-11-18	ASM	
ECN004422	1	SEE SHEET 2	09-07-11	PAS	BAH
ECN003882	0	RELEASED	05-20-11	KRB	BAH

CONFIDENTIALITY NOTICE

3 THIS DRAWING AND INFORMATION CONTAINED HEREIN ARE THE EXCLUSIVE PROPERTY OF EMERSON CLIMATE TECHNOLOGIES, INC AND/OR ITS AFFILIATES (COLLECTIVELY "EMERSON") AND SHALL BE RETURNED UPON DEMAND AND SHALL NOT BE REPRODUCED IN WHOLE OR IN PART, DISCLOSED TO ANYONE ELSE OR USED, WITHOUT THE WRITTEN CONSENT OF EMERSON.

MATERIAL SPECIFICATION	DRAWN BY	SUPERSEDES DWG NO / REV NO
	KRB	497-3822-00 / 001
	DATE	SCALE
	05-20-11	1:2

TITLE: REF DWG - WELD COMP ASSM

DRAWING NUMBER: 497-3822-00

SHEET 2 OF 2 DWG

SIZE: 4