

| △ ₃ PART NUMBER | A | B | C |
|-------------------------------|--------|--------|--------|
| 497-3830-00 | 14.174 | 12.315 | 11.285 |
| 497-3830-01 | 14.174 | 12.315 | 11.285 |
| 497-3830-02 | 13.924 | 12.065 | 11.035 |
| 497-3830-03 | 13.924 | 12.065 | 11.035 |
| 497-3830-04 | 13.674 | 11.815 | 10.785 |
| 497-3830-05 | 13.674 | 11.815 | 10.785 |
| 497-3830-06 | 14.424 | 12.565 | 11.535 |
| 497-3830-07 | 12.924 | 11.065 | 10.035 |
| 497-3830-08 | 13.054 | 11.195 | 10.165 |
| 497-3830-09 | 13.174 | 11.315 | 10.285 |
| 497-3830-11 | 13.424 | 11.565 | 10.535 |
| 497-3830-13 | 12.804 | 10.945 | 9.915 |
| 497-3830-15 | 14.174 | 12.315 | 11.285 |
| 497-3830-17 | 13.924 | 12.065 | 11.035 |
| 497-3830-19 | 13.674 | 11.815 | 10.785 |
| 497-3830-21 | 14.424 | 12.565 | 11.535 |
| 497-3830-22 | 12.924 | 11.065 | 10.035 |
| 497-3830-23 | 13.054 | 11.195 | 10.165 |
| 497-3830-24 | 13.174 | 11.315 | 10.285 |
| 497-3830-26 | 13.424 | 11.565 | 10.535 |
| 497-3830-28 | 12.804 | 10.945 | 9.915 |
| 497-3830-30 | 14.146 | 12.537 | 11.507 |

| MODEL NUMBER | PART NUMBER FOR SE -125 | PART NUMBER FOR SE -175 △ ₄ |
|--------------|-------------------------|--|
| CR42K6-PFV | 497-3830-00 | 497-3830-15 |
| CR42K6-TFD | | |
| CR42K6-TFE | | |
| CR42K6-TFM | | |
| CR42K6-TF5 | | |
| CR42K6E-PFV | | |
| CR42K6E-TFD | | |
| CR42K6E-TFE | | |
| CR42K6E-TF5 | | |
| CR38K6-PFZ | | |
| CR38K6E-PFZ | -- | |
| CR38K6-PFV | 497-3830-02 | 497-3830-17 |
| CR38K6-TFD | | |
| CR38K6-TFE | | |
| CR38K6-TFM | | |
| CR38K6-TF5 | | |
| CR38K6E-PFV | | |
| CR38K6E-TFD | | |
| CR38K6E-TFE | | |
| CR38K6E-TF5 | | |
| CR36K6-PFZ | | |
| CR36K6E-PFZ | -- | |
| CR34K6-PFV | 497-3830-04 | 497-3830-19 |
| CR35K6-PFV | | |
| CR35K6-TFD | | |
| CR35K6-TFE | | |
| CR35K6-TF5 | | |
| CR34K6E-PFV | | |
| CR35K6E-PFV | | |
| CR35K6E-TFD | | |
| CR35K6E-TFE | | |
| CR35K6E-TF5 | | |
| CR32K6-PFZ | 497-3830-05 | -- |
| CR32K6E-PFZ | | 497-3830-20 |
| CR34K6-PFZ | | -- |
| CR34K6E-PFZ | 497-3830-06 | 497-3830-21 |
| CR42K6-PFZ | | 497-3830-06 |
| CR18K6-TFD | 497-3830-07 | 497-3830-22 |
| CR18K6-TF5 | | |
| CR22K6-PFJ | | |
| CR22K6-TFD | | |
| CR22K6-TF5 | | |
| CR18K6E-TFD | | |
| CR18K6E-TF5 | | |
| CR22K6E-PFJ | | |
| CR22K6E-TFD | | |
| CR22K6E-TF5 | | |
| CR14K6-PFV | 497-3830-14 | 497-3830-29 |

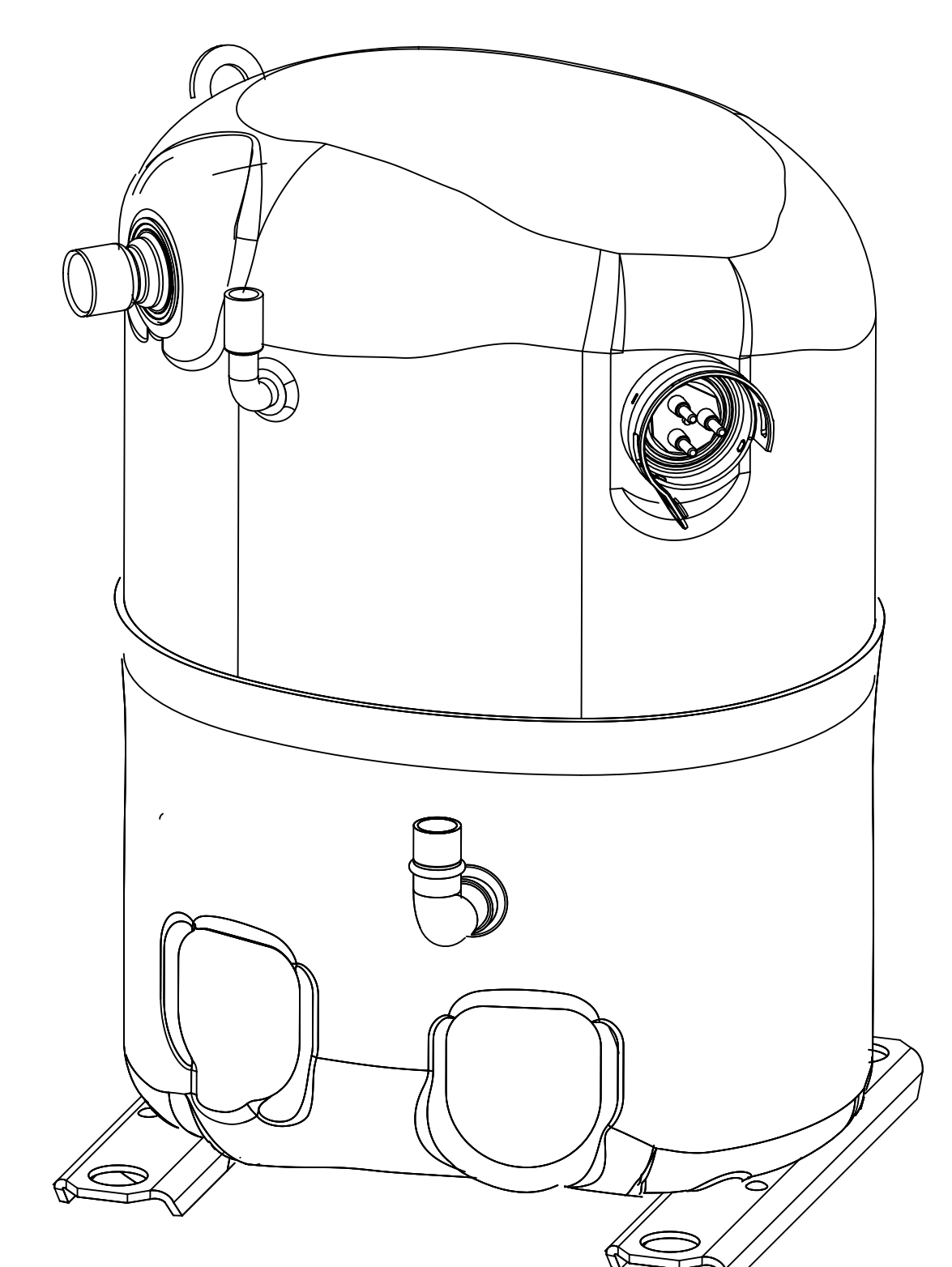
| MODEL NUMBER | PART NUMBER FOR SE -125 | PART NUMBER FOR SE -175 △ ₄ | | |
|--------------|-------------------------|--|-------------|-------------|
| CR24K6-PFJ | 497-3830-08 | 497-3830-23 | | |
| CR24K6-PFV | | | | |
| CR24K6-TFD | | | | |
| CR24K6-TF5 | | | | |
| CR24K6E-PFJ | | | | |
| CR24K6E-PFV | | | | |
| CR24K6E-TFD | | | | |
| CR24K6E-TF5 | | | | |
| CR28K6-PFJ | | | 497-3830-09 | 497-3830-24 |
| CR28K6-PFV | | | | |
| CR28K6-TFD | | | | |
| CR28K6-TF5 | | | | |
| CR28K6E-PFJ | | | | |
| CR28K6E-PFV | | | | |
| CR28K6E-TFD | | | | |
| CR28K6E-TF5 | | | | |
| CR24K6-PFZ | 497-3830-10 | 497-3830-25 | | |
| CR30K6-PFJ | | | | |
| CR30K6-PFV | 497-3830-11 | 497-3830-26 | | |
| CR30K6-TFD | | | | |
| CR30K6-TF5 | | | | |
| CR32K6-PFJ | | | | |
| CR32K6-PFV | | | | |
| CR32K6-TFD | | | | |
| CR32K6-TFE | | | | |
| CR32K6-TF5 | | | | |
| CR30K6E-PFJ | | | | |
| CR30K6E-PFV | | | | |
| CR30K6E-TFD | | | | |
| CR30K6E-TF5 | | | | |
| CR32K6E-PFJ | | | | |
| CR32K6E-PFV | | | | |
| CR32K6E-TFD | | | | |
| CR32K6E-TF5 | | | | |
| CR32K6E-TFE | | | | |
| CR32K6-PFZ | -- | 497-3830-26 | | |
| CR28K6-PFZ | 497-3830-12 | 497-3830-27 | | |
| CR16K6-PFJ | 497-3830-13 | 497-3830-28 | | |
| CR16K6-PFV | | | | |
| CR18K6-PFJ | | | | |
| CR18K6-PFV | | | | |
| CR20K6-PFV | | | | |
| CR22K6-PFV | | | | |
| CR16K6E-PFJ | | | | |
| CR16K6E-PFV | | | | |
| CR18K6E-PFJ | | | | |
| CR18K6E-PFV | | | | |
| CR20K6E-PFV | | | | |
| CR22K6E-PFV | | | | |

| MODEL NUMBER | PART NUMBER FOR SE -125 | PART NUMBER FOR SE -175 △ ₄ | | |
|--------------|-------------------------|--|-------------|-------------|
| CR24K6E-PFJ | 497-3830-08 | 497-3830-23 | | |
| CR24K6E-PFV | | | | |
| CR24K6E-TFD | | | | |
| CR24K6E-TF5 | | | | |
| CR28K6-PFJ | | | 497-3830-09 | 497-3830-24 |
| CR28K6-PFV | | | | |
| CR28K6-TFD | | | | |
| CR28K6-TF5 | | | | |
| CR28K6E-PFJ | | | | |
| CR28K6E-PFV | | | | |
| CR28K6E-TFD | | | | |
| CR28K6E-TF5 | | | | |
| CR24K6-PFZ | 497-3830-10 | 497-3830-25 | | |
| CR30K6-PFJ | | | | |
| CR30K6-PFV | 497-3830-11 | 497-3830-26 | | |
| CR30K6-TFD | | | | |
| CR30K6-TF5 | | | | |
| CR32K6-PFJ | | | | |
| CR32K6-PFV | | | | |
| CR32K6-TFD | | | | |
| CR32K6-TFE | | | | |
| CR32K6-TF5 | | | | |
| CR30K6E-PFJ | | | | |
| CR30K6E-PFV | | | | |
| CR30K6E-TFD | | | | |
| CR30K6E-TF5 | | | | |
| CR32K6E-PFJ | | | | |
| CR32K6E-PFV | | | | |
| CR32K6E-TFD | | | | |
| CR32K6E-TF5 | | | | |
| CR32K6E-TFE | | | | |
| CR32K6-PFZ | -- | 497-3830-26 | | |
| CR28K6-PFZ | 497-3830-12 | 497-3830-27 | | |
| CR16K6-PFJ | 497-3830-13 | 497-3830-28 | | |
| CR16K6-PFV | | | | |
| CR18K6-PFJ | | | | |
| CR18K6-PFV | | | | |
| CR20K6-PFV | | | | |
| CR22K6-PFV | | | | |
| CR16K6E-PFJ | | | | |
| CR16K6E-PFV | | | | |
| CR18K6E-PFJ | | | | |
| CR18K6E-PFV | | | | |
| CR20K6E-PFV | | | | |
| CR22K6E-PFV | | | | |

| MODEL NUMBER | PART NUMBER FOR SE -125 | PART NUMBER FOR SE -175 | PART NUMBER FOR SE -146 △ ₄ |
|--------------|-------------------------|-------------------------|--|
| CS24K6E-PFV | - | - | 497-3830-30 |

| SPECIFICATIONS | |
|----------------|-----------------------|
| ES NO. | DESCRIPTION |
| ES22-122 | PACKAGING |
| ES81-159 | CLEANLINESS |
| ES81-250 | IDENTIFICATION |
| ES92-167 | REGULATORY COMPLIANCE |

- NOTES:
- TOLERANCES TO BE ±0.12 UNLESS OTHERWISE SPECIFIED.
 - TUBE ENDS MUST BE PLUGGED.
- △₃ FOR MODEL APPLICATION REFER TO CHART.
- △₄ MODEL SE INCLUDES CRANKCASE HEATER



| | | | | | |
|---|----------|--|---------------------|------------------|------|
| ECN317516 | 7 | RELEASED -30 & ADDED MODEL NUMBER IN TABLE | 05-06-21 | SAS | BAH |
| ECN317759 | 6 | REDRAWN WITH CHANGES | 04-30-21 | SAS | BAH |
| ECN004534 | 0 | RELEASED | 10-05-11 | KRB | BAH |
| ENG NOTICE NO. | REV. NO. | REVISIONS | DATE | BY | CHKD |
| 3 | | CONFIDENTIALITY NOTICE | | | |
| THIS DRAWING AND INFORMATION CONTAINED HEREIN ARE THE EXCLUSIVE PROPERTY OF EMERSON CLIMATE TECHNOLOGIES, INC AND/OR ITS AFFILIATES (COLLECTIVELY "EMERSON") AND SHALL BE RETURNED UPON DEMAND AND SHALL NOT BE REPRODUCED IN WHOLE OR IN PART, DISCLOSED TO ANYONE ELSE OR USED, WITHOUT THE WRITTEN CONSENT OF EMERSON. | | | | | |
| MATERIAL SPECIFICATION | | DRAWN BY | SUPERSEDES DWG NO / | REV NO | |
| | | SAS | 497-3830-00 / | 005 | |
| | | DATE | SCALE | DATE FORMAT: | |
| | | 04-30-21 | 1:2 | MM-DD-YY | |
| TITLE | | | DRAWING NUMBER | SHEET 1 OF 2 DWG | |
| REF DWG - WELD COMP ASSM | | | 497-3830-00 | 4 | SIZE |

EMERSON
Copeland™

INTERPRET PER ASME Y14.5M-1994 AND EMERSON DESIGN STANDARDS DS2002

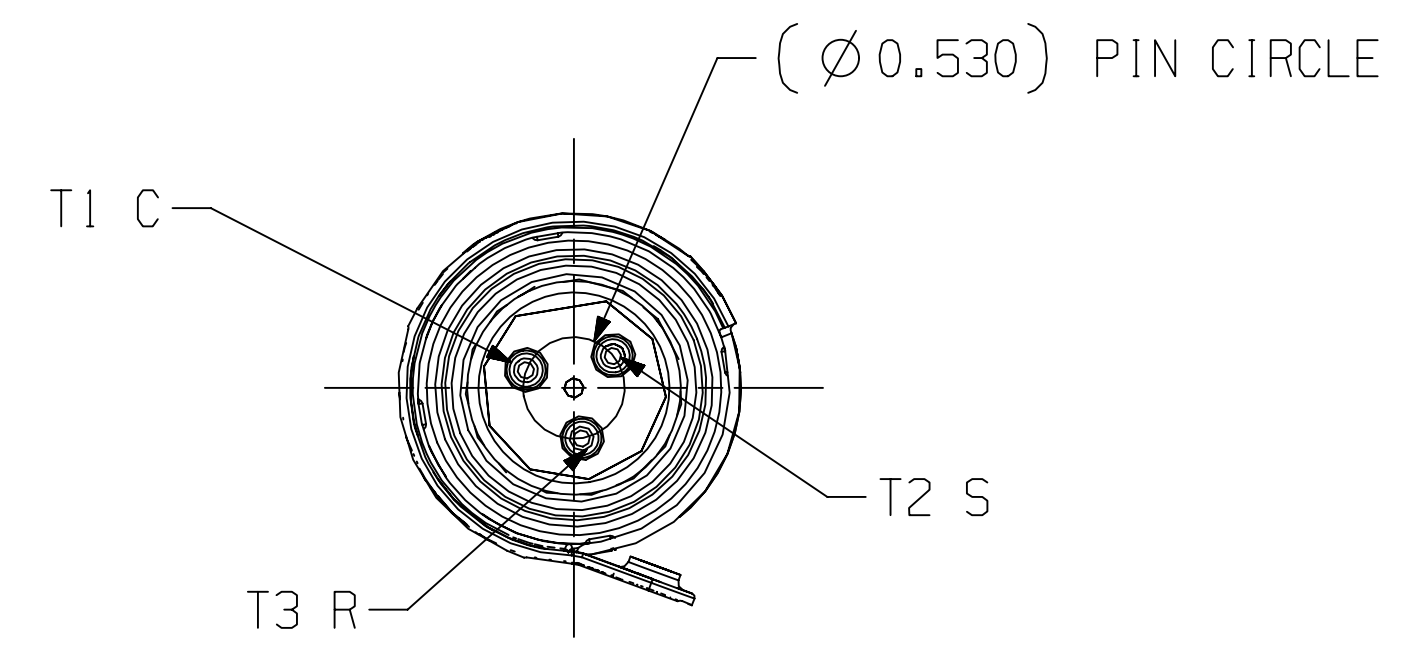
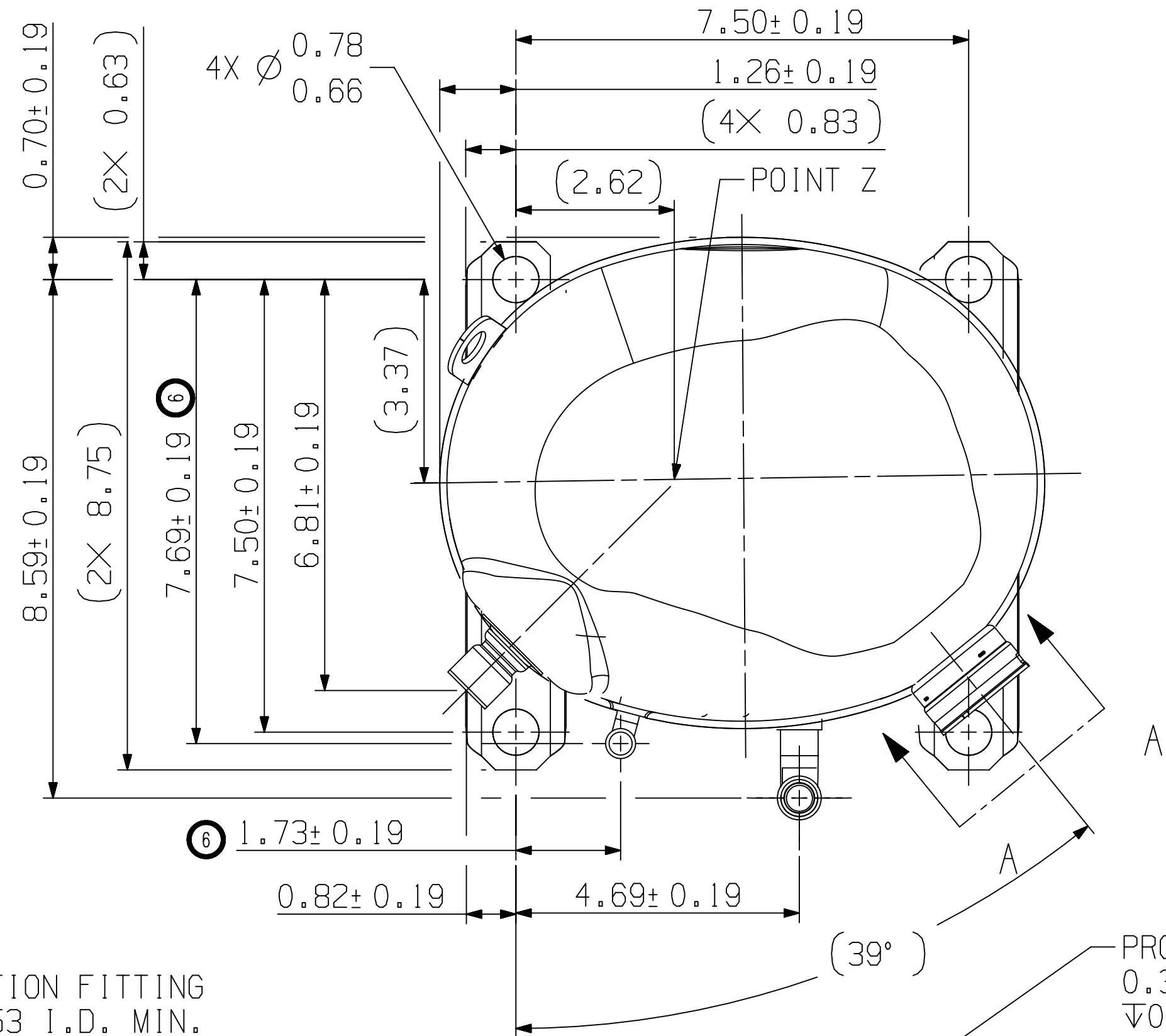
DO NOT SCALE DRAWING

CRITICAL PRODUCT CHARACTERISTICS

UNLESS OTHERWISE SPECIFIED DIMENSIONS ARE INCH OR (MILLIMETER)

TOLERANCES:
2-PLACE ± N/A
3-PLACE ± N/A
ANGULAR ± N/A

© COPYRIGHT EMERSON - CONFIDENTIAL

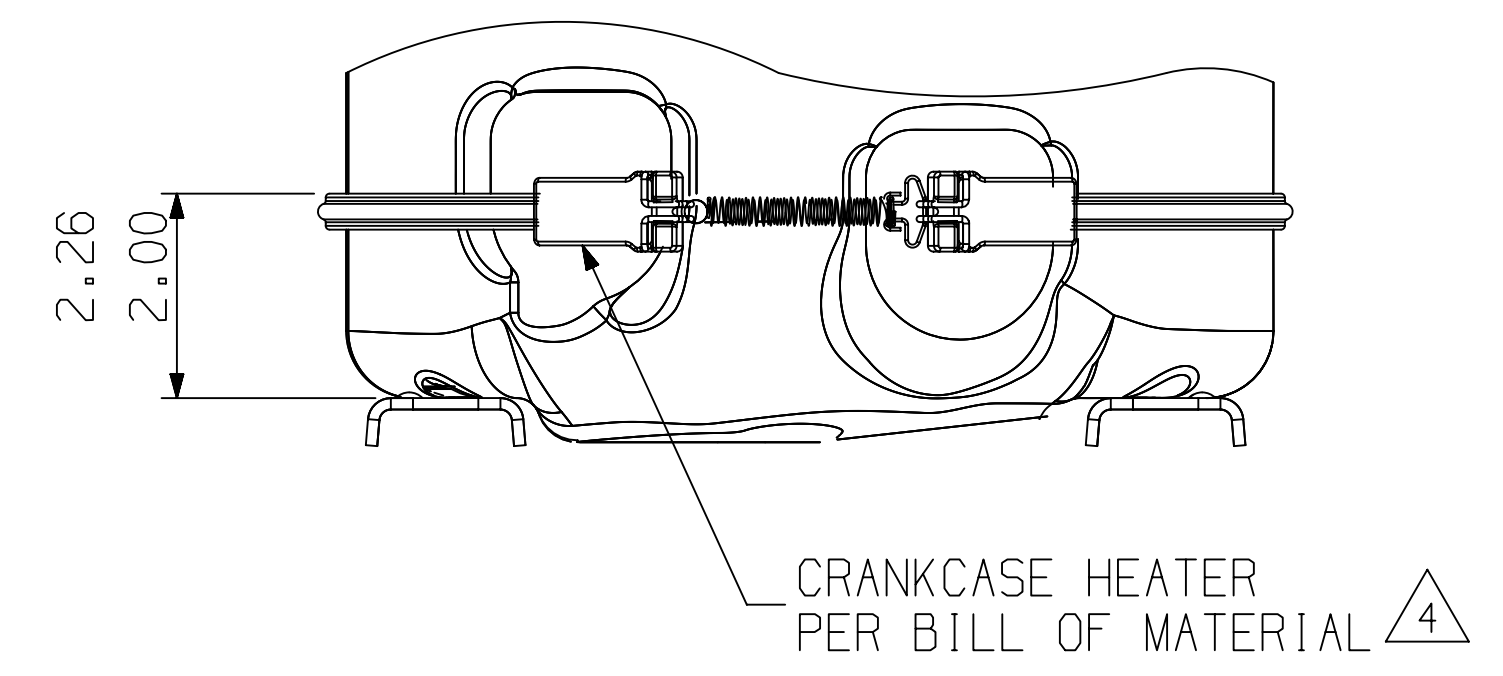
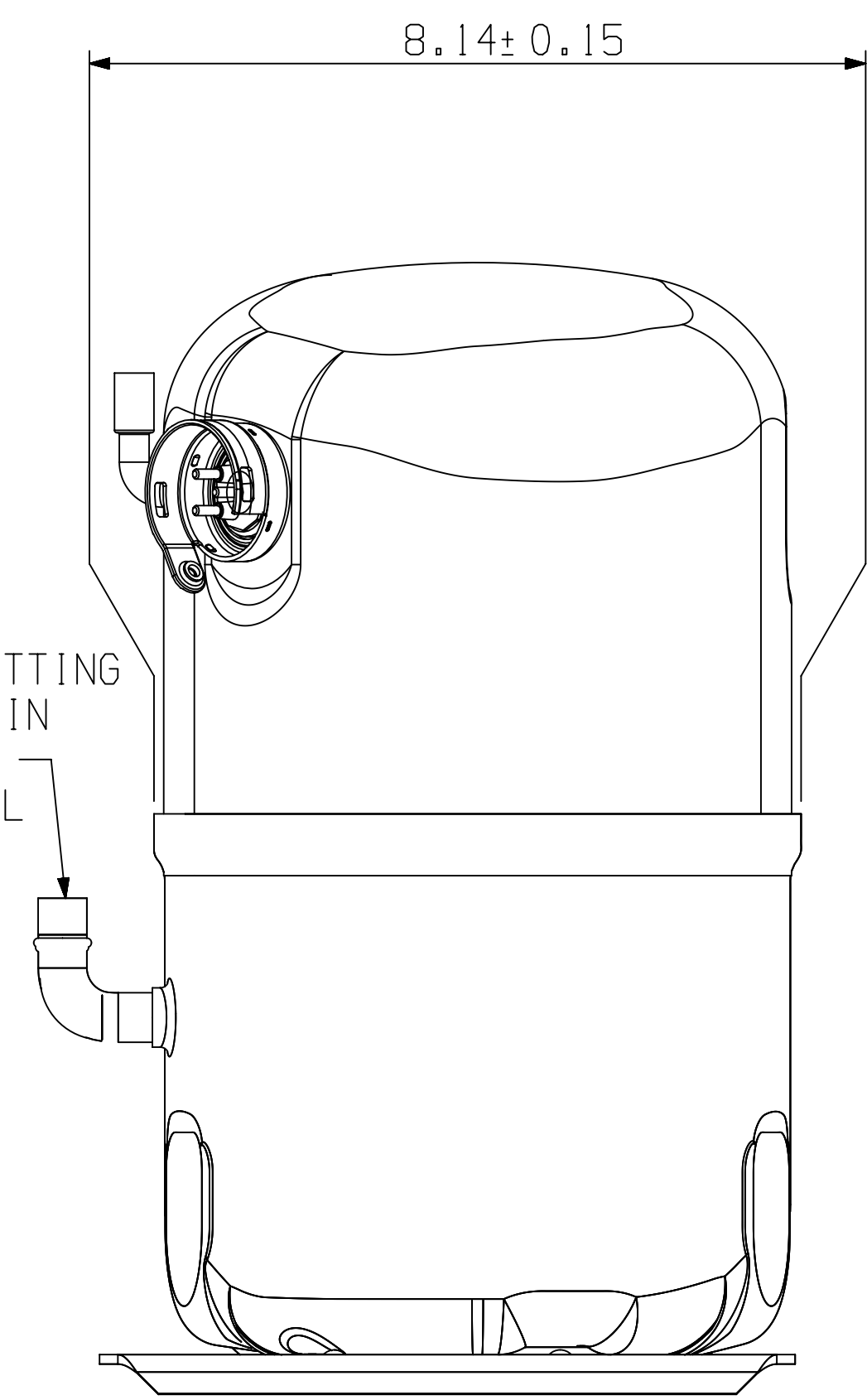
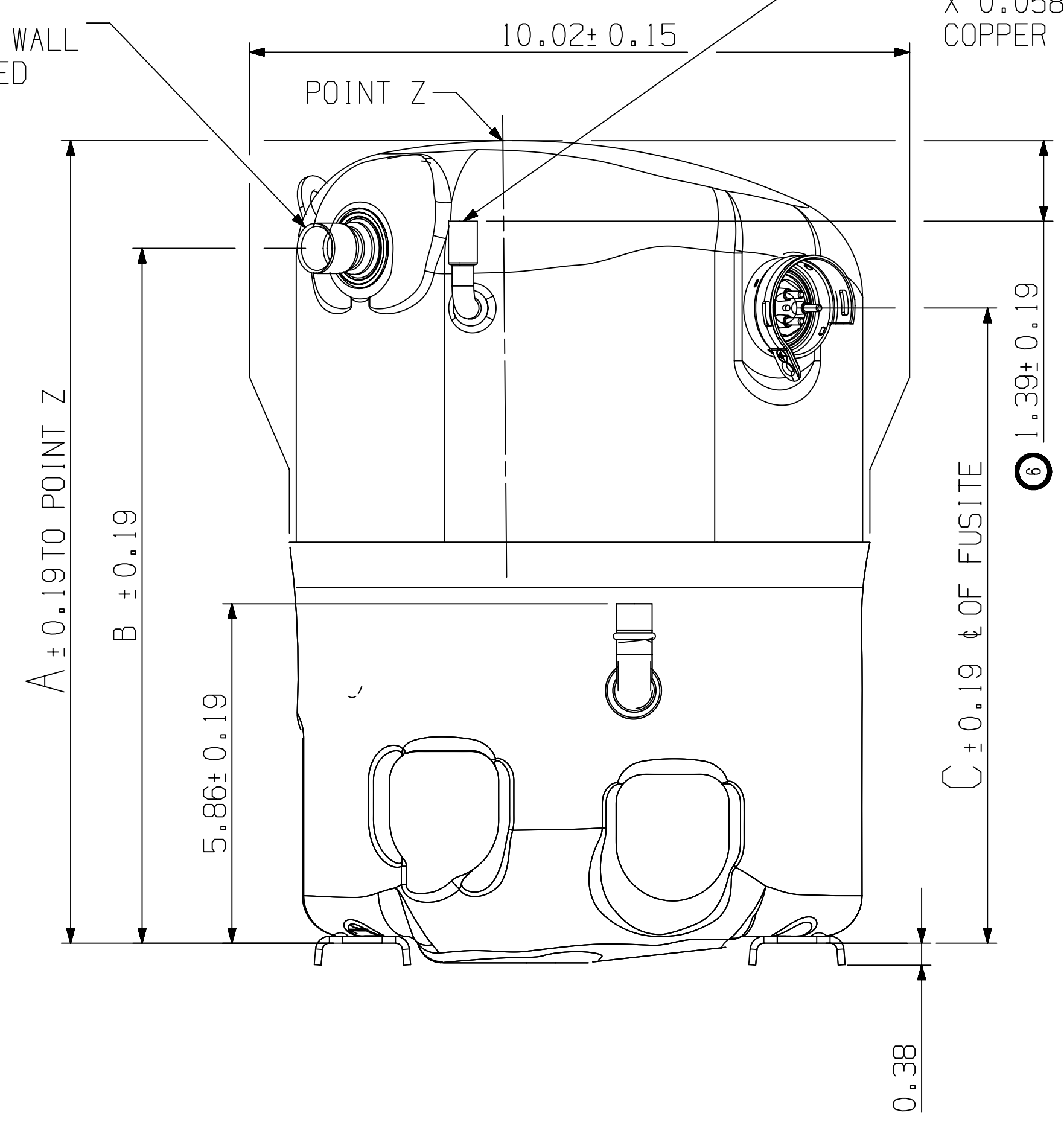


SECTION A - A

SUCTION FITTING
0.753 I.D. MIN.
▽ 0.560 MIN
X 0.045 MIN WALL
COPPER PLATED
STEEL TUBE

PROCESS FITTING ⑥
0.378 I.D. MIN
▽ 0.500 MIN
X 0.058 WALL
COPPER TUBE

DISCHARGE FITTING
0.503 I.D. MIN
▽ 0.500 MIN
X 0.062 WALL
COPPER TUBE



INTERPRET PER ASME
Y14.5M-1994 AND
EMERSON DESIGN
STANDARDS DS2002

DO NOT SCALE DRAWING

CRITICAL PRODUCT CHARACTERISTICS

UNLESS OTHERWISE SPECIFIED
DIMENSIONS ARE INCH OR (MILLIMETER)

TOLERANCES:
2-PLACE : N/A
3-PLACE : N/A
ANGULAR : N/A

| | | | | | |
|---|----------|------------------------|----------------------------|-----------------------|------|
| ECN317516 | 7 | SEE SHEET 1 | 05-06-21 | SAS | BAH |
| ECN317759 | 6 | REDRAWN WITH CHANGES | 04-30-21 | SAS | BAH |
| ECN004534 | 0 | RELEASED | 10-05-11 | KRB | BAH |
| ENG NOTICE NO. | REV. NO. | REVISIONS | DATE | BY | CHKD |
| 3 | | CONFIDENTIALITY NOTICE | | | |
| THIS DRAWING AND INFORMATION CONTAINED HEREIN ARE THE EXCLUSIVE PROPERTY OF EMERSON CLIMATE TECHNOLOGIES, INC AND/OR ITS AFFILIATES (COLLECTIVELY "EMERSON") AND SHALL BE RETURNED UPON DEMAND AND SHALL NOT BE REPRODUCED IN WHOLE OR IN PART, DISCLOSED TO ANYONE ELSE OR USED, WITHOUT THE WRITTEN CONSENT OF EMERSON. | | | | | |
| MATERIAL SPECIFICATION | | DRAWN BY | SUPERSEDES DWG NO / REV NO | | |
| | | DATE | SCALE | DATE FORMAT: MM-DD-YY | |
| | | 04-30-21 | 1:2 | | |
| TITLE | | | DRAWING NUMBER | SHEET 2 OF 2 DWG | |
| REF DWG - WELD COMP ASSM | | | 497-3830-00 | 4 SIZE | |