

MODEL NUMBER

ZP34/36/38/39/42/44/49/51/54K5E - PFV
ZP34/36/38/39/42/44/49/51/54K5E - TF5
ZP34/36/38/39/42/44/49/51/54K5E - TFD
ZP36/42/44/49/51/54K5E - PFJ
ZP34/36/38/39/42/44/49/51/54K5E - TFE
ZP34/39/42/44/49/51/54K5E - TF7
ZP34KFE - PFV
ZP36KHE - PFZ
ZP39KHE - PFZ
ZP44KSE - PFZ

- 33
- 36
- 38
- 32
- 39
- 34
- 35
- 37

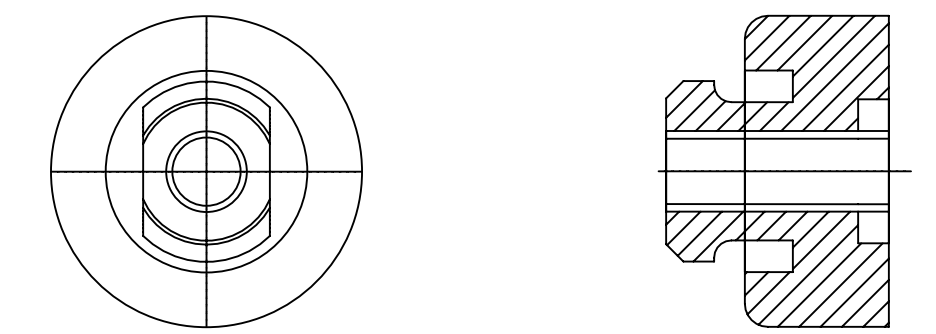
SPECIFICATIONS	
ES NO.	DESCRIPTION
ES92-155	CONVERSION-METRIC

NOTES:

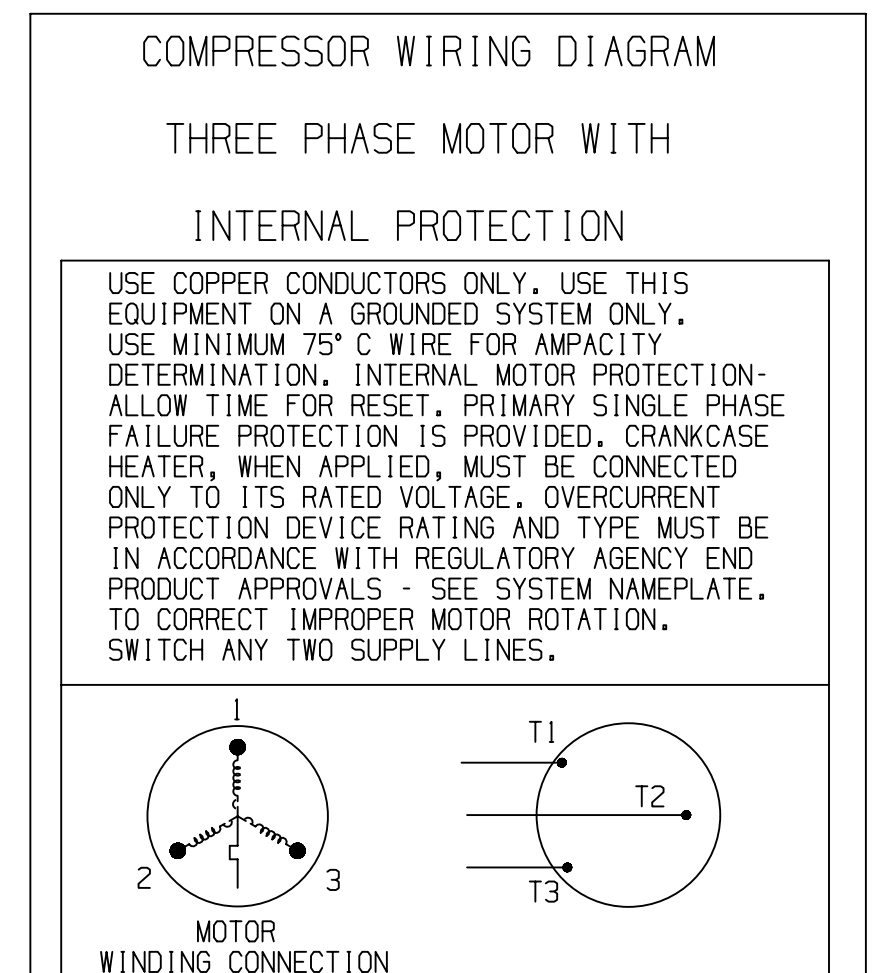
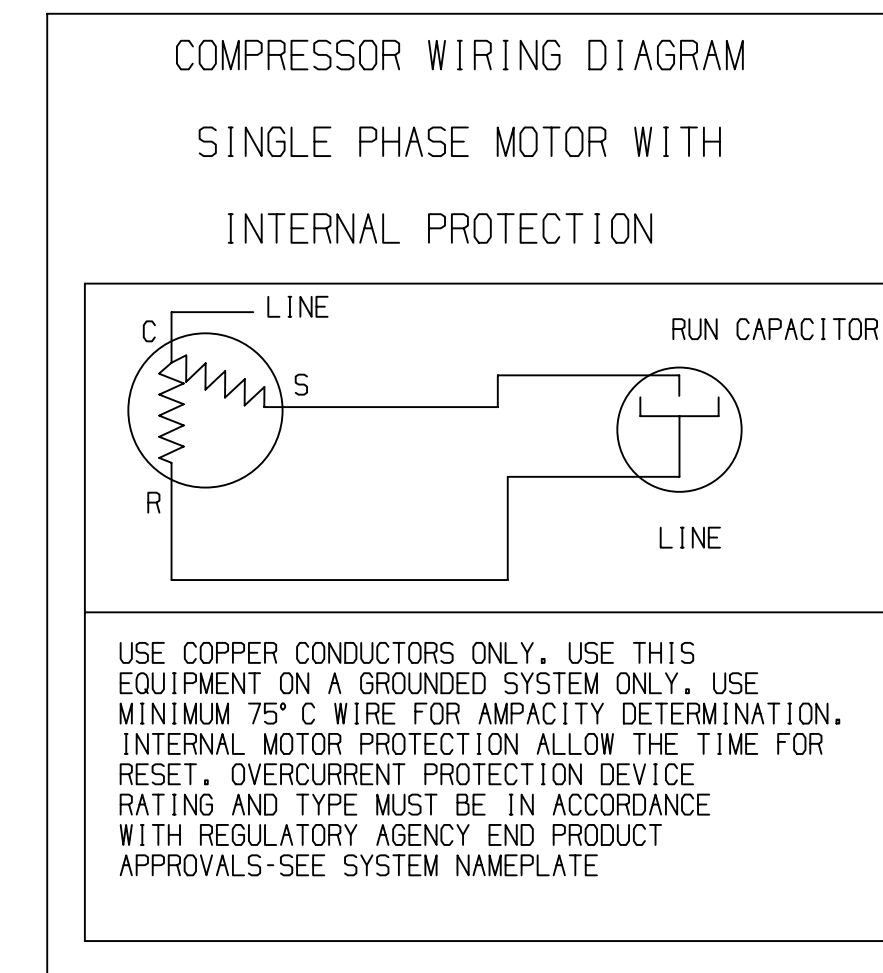
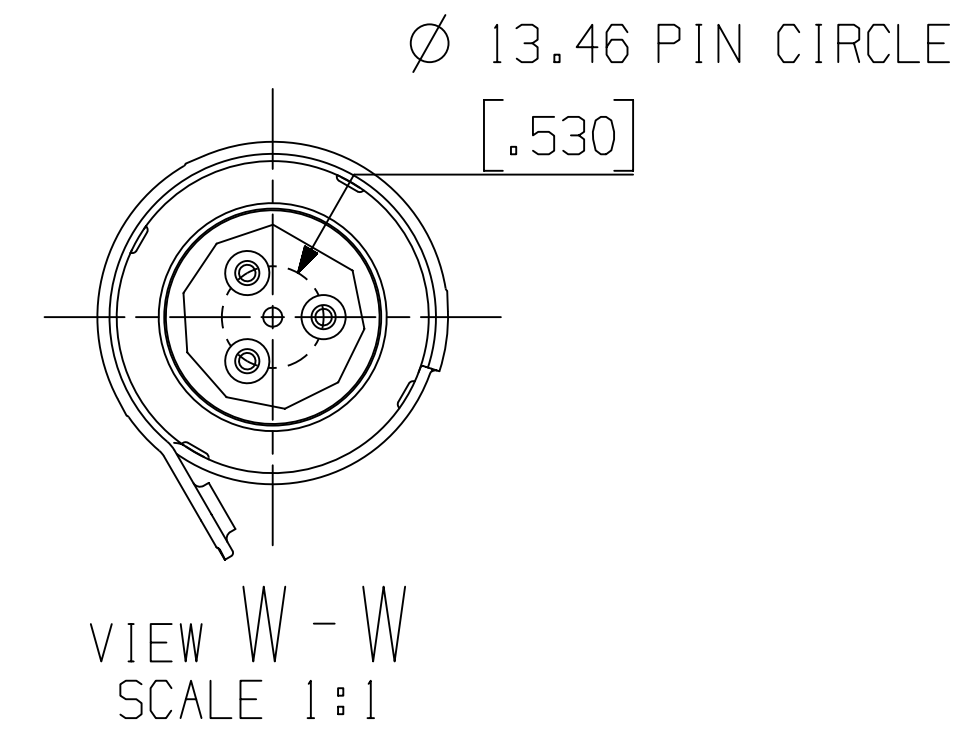
- ALL TOLERANCES ± 1.50 [0.060] UNLESS OTHERWISE SPECIFIED.
- THE SUCTION TUBE, DISCHARGE TUBE, AND FENCE RADIAL DIMENSIONS ARE TO BE GAUGED FROM THE CENTER OF THE MOUNTING HOLE PATTERN.

3. TUBE ENDS MUST BE PLUGGED.

4. MOUNTING KIT:

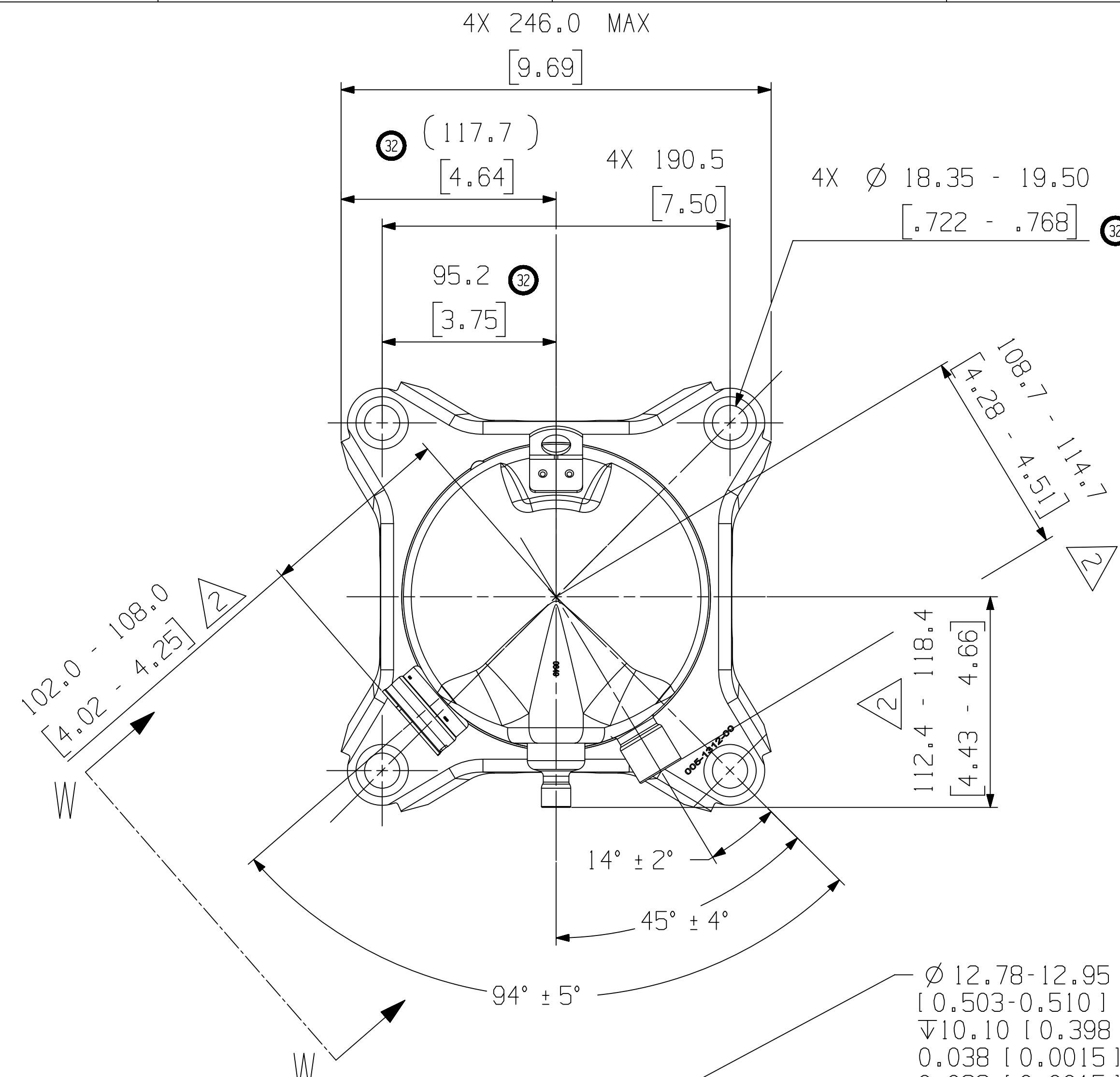


GROMMET DUROMETER	4 FOOT KIT
35-45	527-0116-00



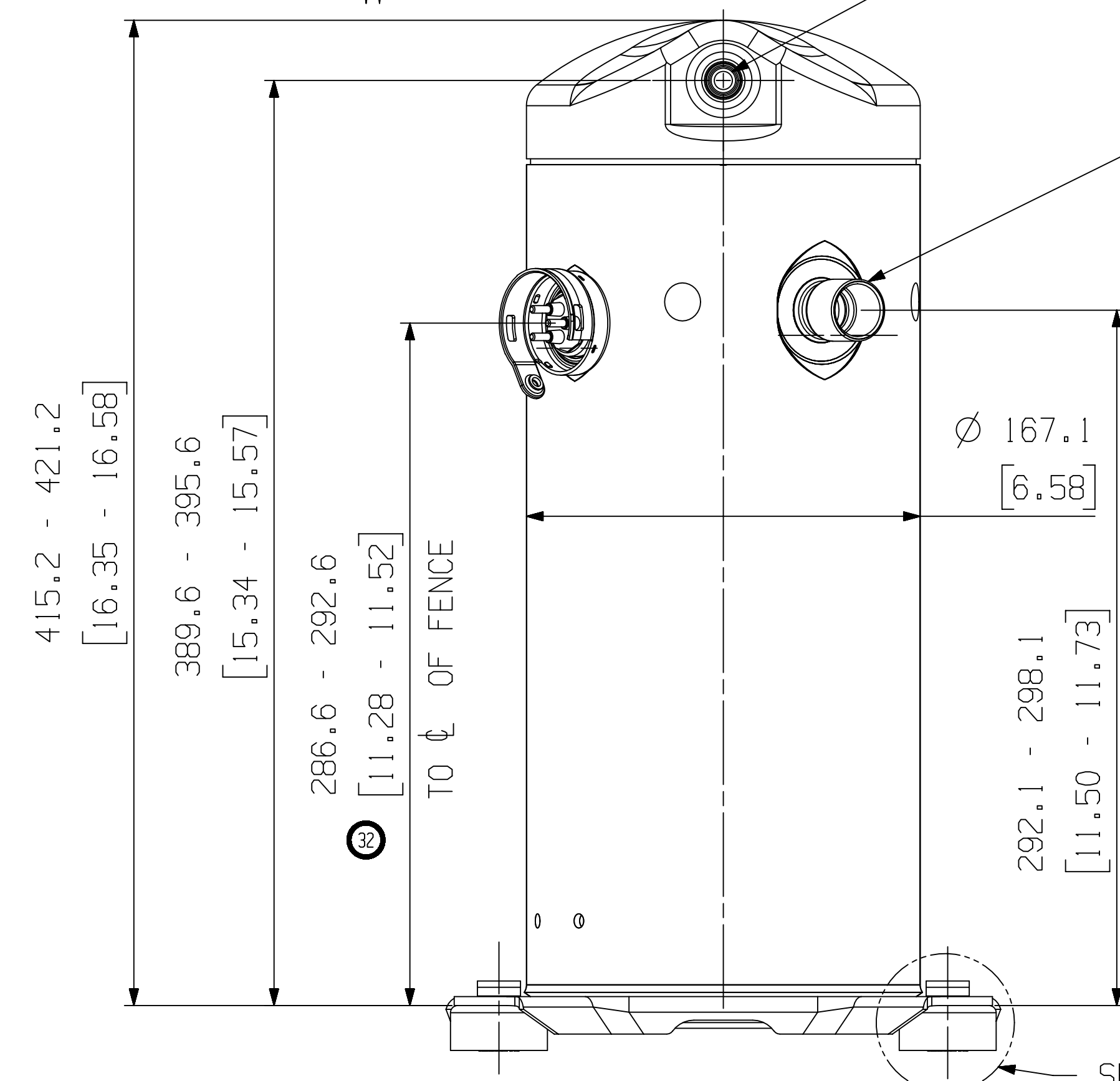
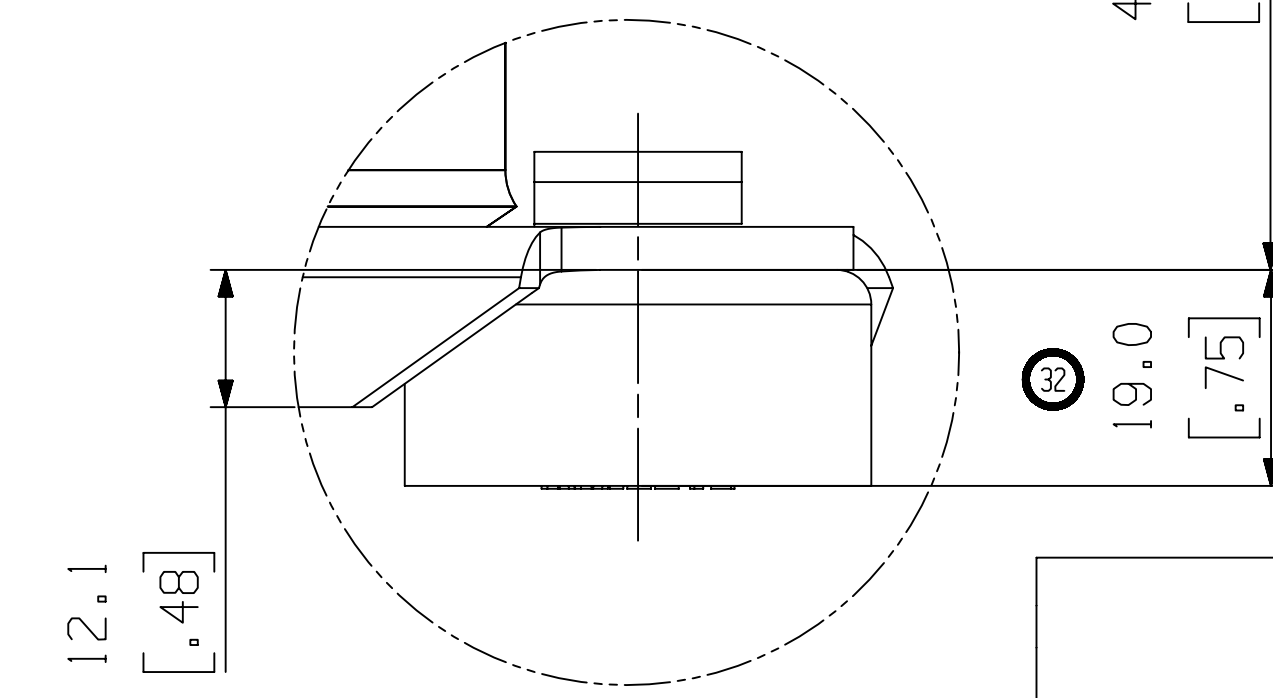
ECN	NO.	DESCRIPTION	DATE	BY	CHKD
ECN325210	40	UPDATED TITLE BLOCK	08-30-23		
ECN315705	39	OBSOLETE ZP34KFE - PFV	10-20-20	DAK	PBM
ECN300927	38	ADDED ZP54K5E - TF7 MODEL	03-29-17	TM	BLR
ECN200113	37	ADDED ZP44K5E - PFZ MODEL	07-28-16	CYZ	ZH
ECN102082	36	ADDED ZP42K5E - TF7 MODEL	04-29-16	MAM	PBM
ECN102812	35	ADDED ZP39KHE - PFZ MODEL	03-28-16	SZ	ZH
ECN102811	34	ADDED ZP36KHE - PFZ MODEL	03-22-16	AZ	ZH
ECN101885	33	ADDED ZP34K5E - TF7 MODEL	01-22-16	MAM	PBM
ECN101617	32	REDRWN WITH CHANGES	10-19-15	MAM	PBM
32-1103-065	0	RELEASED	05-10-04	LWM	GD

ENG NOTICE NO.	REV. NO.	REVISIONS		DATE	BY	CHKD
24	163FR	CONFIDENTIALITY NOTICE				
THIS DRAWING AND INFORMATION CONTAINED HEREIN ARE THE EXCLUSIVE PROPERTY OF COPELAND LP AND/OR ITS AFFILIATES (COLLECTIVELY "COPELAND") AND SHALL BE RETURNED UPON DEMAND AND SHALL NOT BE REPRODUCED IN WHOLE OR IN PART, DISCLOSED TO ANYONE ELSE OR USED, WITHOUT THE WRITTEN CONSENT OF COPELAND.						
MATERIAL SPECIFICATION		DRAWN BY	SUPERSEDES DWG NO / REV NO	REV NO		
N/A		MAM	497-2835-00 / 031			
DATE		SCALE	DATE FORMAT			
10-19-15		1:2	MM-DD-YY			
TITLE			DRAWING NUMBER	SHEET 1 OF 1 DWG		
REF DWG-WELD COMP ASSM			497-2835-00	4		
			SIZE			



Ø 12.78-12.95 I.D. [0.503-0.510]
▽10.10 [0.398] MIN,
0.038 [0.0015] MIN THICK EXTERIOR AND
0.038 [0.0015] MIN THICK INTERIOR
COPPER PLATED STEEL DISCHARGE FITTING.

22.30-22.48 I.D. [0.878-0.885]
▽19.9 [0.781] MIN,
0.038 [0.0015] MIN THICK EXTERIOR AND
0.038 [0.0015] MIN THICK INTERIOR
COPPER PLATED STEEL SUCTION FITTING



SEE DETAIL Y



INTERPRET PER ASME Y14.5M-1994 AND COPELAND DESIGN STANDARDS DS2002

DO NOT SCALE DRAWING

CRITICAL PRODUCT CHARACTERISTICS

UNLESS OTHERWISE SPECIFIED DIMENSIONS ARE MILLIMETER OR (INCH)

TOLERANCES:
1-PLACE ±
2-PLACE ±
ANGULAR ±

©COPYRIGHT COPELAND - CONFIDENTIAL