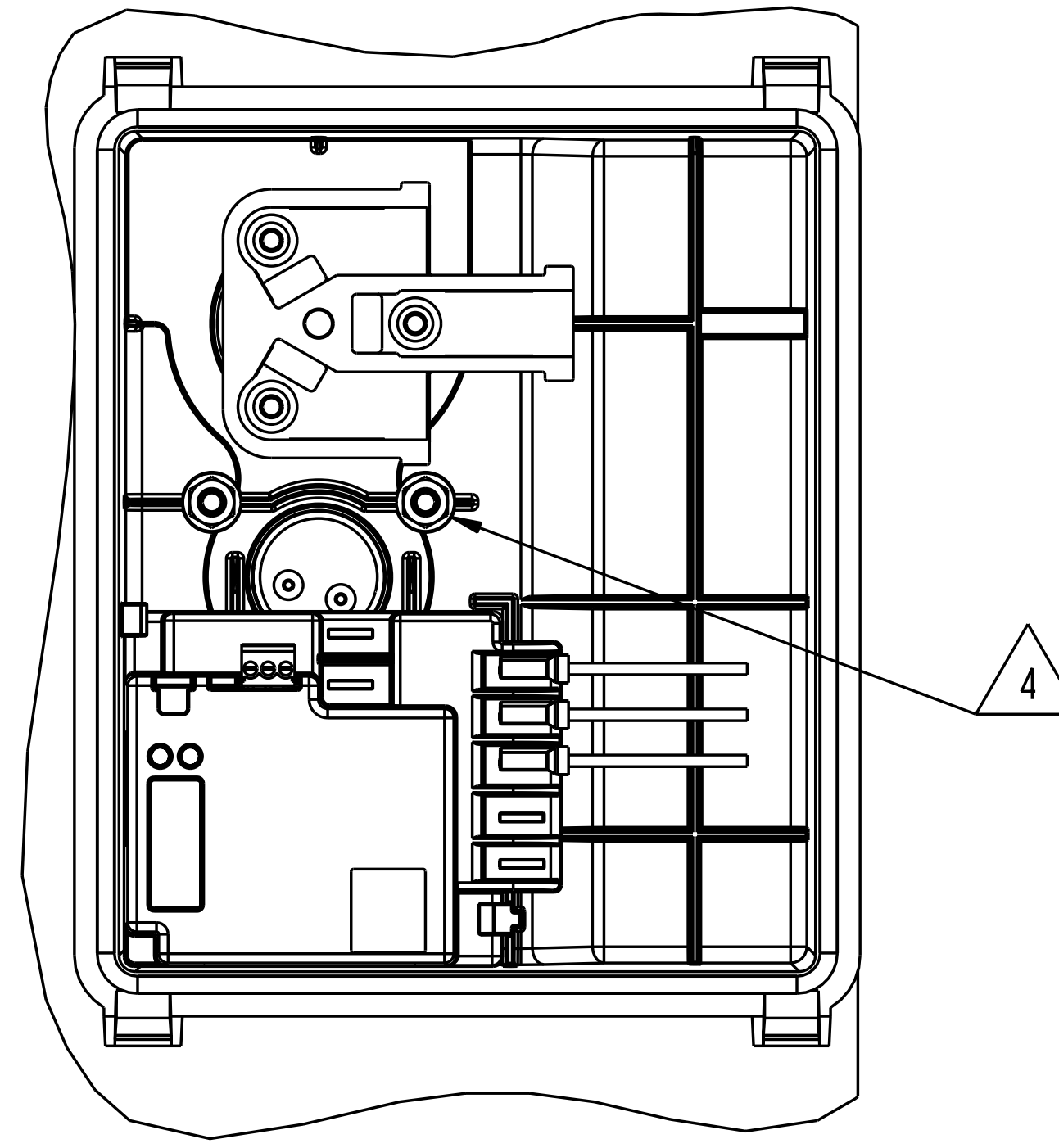
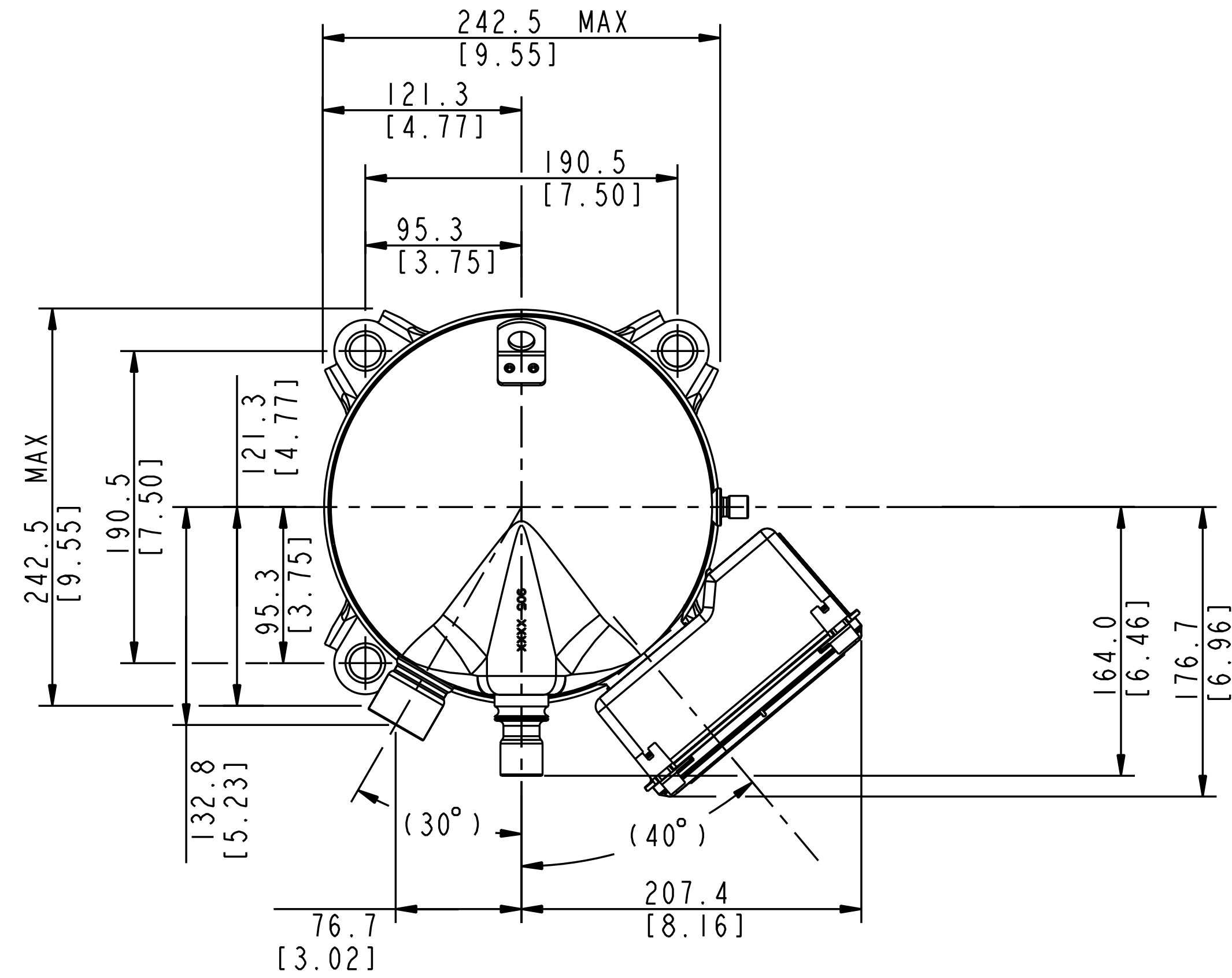


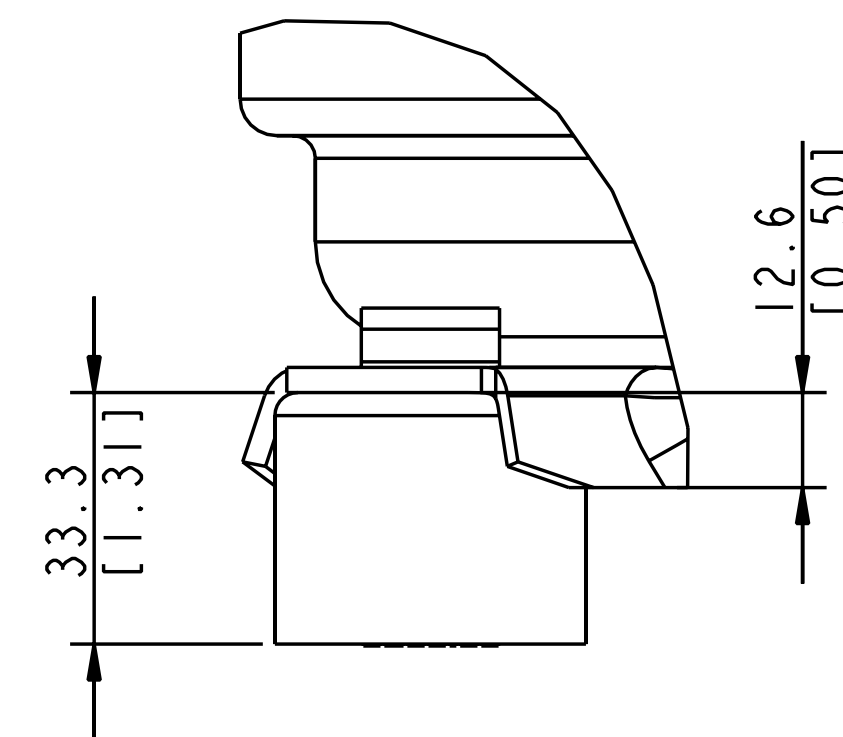
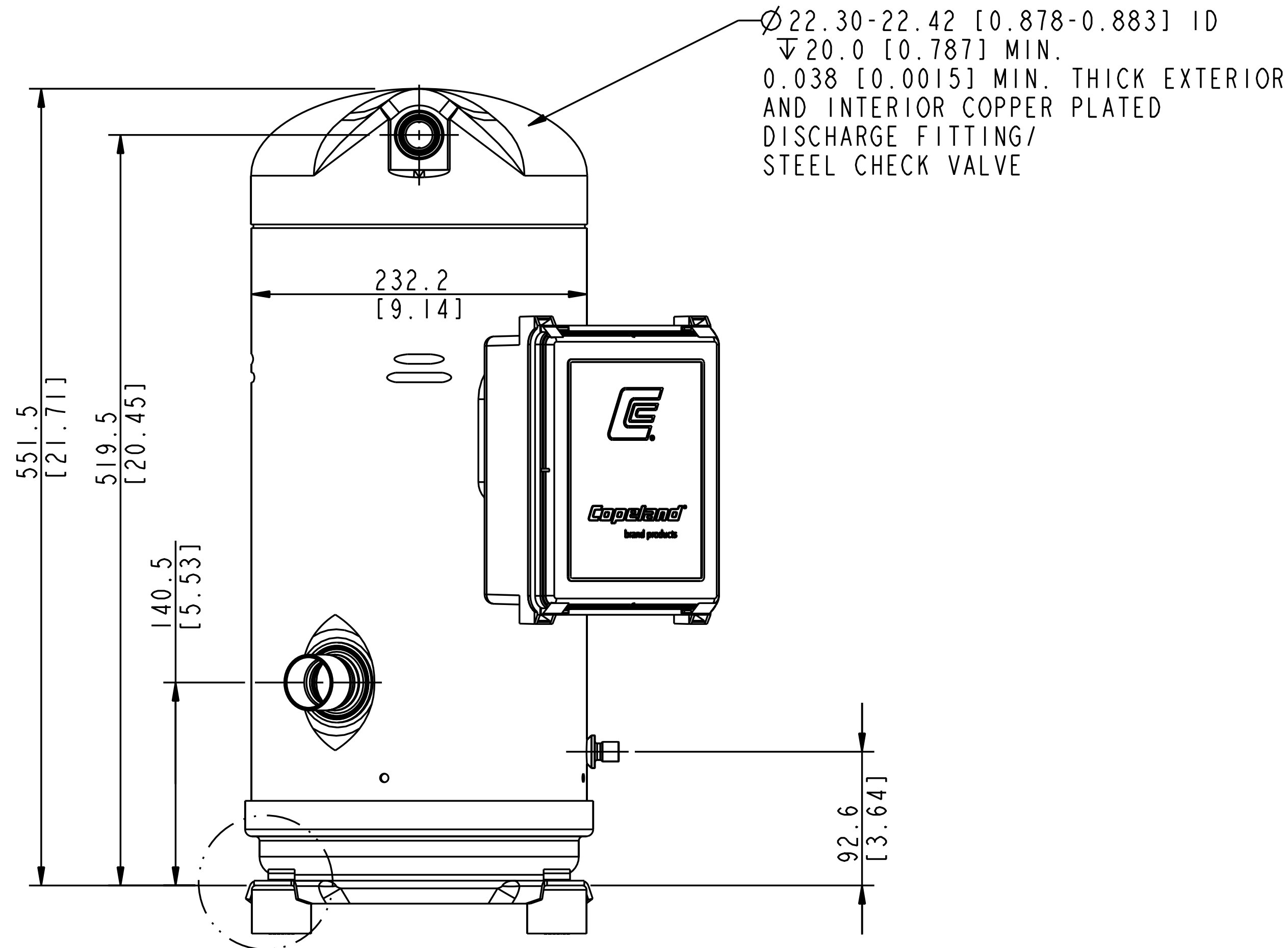
MODEL NUMBER
ZPI54KCE
ZPI82KCE

SPECIFICATIONS	
ES NO.	DESCRIPTION
ES92-155	CONVERSION-METRIC



TERMINAL BOX LAYOUT STANDARD
SCALE 3:4

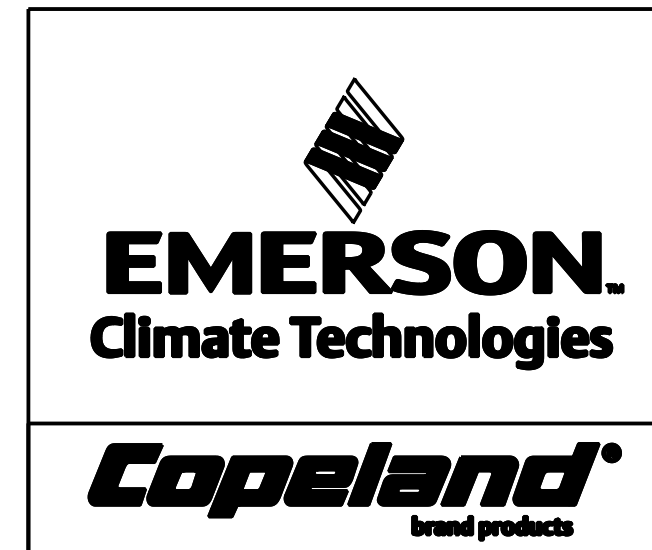
- NOTES:
- 1 ALL TOLERANCES ± 1.5 [0.06] UNLESS OTHERWISE SPECIFIED. DUE TO ACCUMULATED ASSEMBLY TOLERANCES THE LISTED COMPONENTS MAY VARY FROM THE MOUNTING HOLES AS TABULATED.
 - 2 SUCTION FITTING ± 3.0 [0.12]
 - 3 DISCHARGE FITTING ± 3.0 [0.12]
 - 2. MOUNTING KIT: 527-0210-00
 - 3. TUBE ENDS MUST BE PLUGGED.
 - 4 GROUNDING SCREW AND WASHER PER BOM



ALERT CODE / MUESTRA / CÓDIGO DE ALERTA (INDIC)	TYPE / TIPO	EVENT / EVENTO	SYMBOLES / SÍMBOLOS
1	LOCKOUT / BLOQUEADO / TRIP / DISPARO	LOSS OF FUNCTION / PERDIDA DE FUNCION / MOTOR HIGH TEMPERATURE / TEMPERATURA DEL MOTOR ELEVADA	1
2	LOCKOUT/TRIP / BLOQUEADO / DISPARO	OPEN / SHORT MOTOR WINDING / TENSION EN EL MOTOR EN CIRCUITO ABIERTO O CORTOCIRCUITO	2
3	BLOCKOUT / DISPARO	SHORT CYCLING / CICLOS CORTOS	3
4	N/A	FUTURE USE / USO FUTURO	4
6	LOCKOUT/TRIP / BLOQUEADO / DISPARO	MISSING PHASE / PERDIDA DE FASE	6
7	LOCKOUT / BLOQUEADO	REVERSE PHASE / INVERSIÓN DE FASE	7
8	N/A	FUTURE USE / USO FUTURO	8
9	TRIP / DISPARO	MOBILE LOW VOLTAGE / BAJA VOLTAJE AL MÓVIL	9
WARNING (GREEN) / PRECAUCION (VERDE)	TYPE / TIPO	EVENT / EVENTO	
SOLID / SOLIDO	NORMAL / OPERACION NORMAL	NORMAL OPERATION / OPERACION NORMAL	
1	WARNING / PRECAUCION	LOSS OF COMMUNICATION / PERDIDA DE COMUNICACION	1
2	WARNING / PRECAUCION	FUTURE USE / USO FUTURO	2
3	WARNING / PRECAUCION	SHORT CYCLING / CICLOS CORTOS	3
4	WARNING / PRECAUCION	N/A	4
5	WARNING / PRECAUCION	FUTURE USE / USO FUTURO	5

USE COPPER CONDUCTORS ONLY. USE MINIMUM 75°C WIRE FOR AMPACITY DETERMINATION. USE THIS EQUIPMENT ON A GROUNDING SYSTEM ONLY. PRIMARY SINGLE PHASE FAILURE PROTECTION IS PROVIDED. PROTECTION MODULE AND OPTIONAL COMMERCIAL HEATER MUST BE CONNECTED ONLY TO THEIR RATED VOLTAGE. OVERCURRENT PROTECTION DEVICE RATING AND TYPE MUST BE IN ACCORDANCE WITH REGULATORY AGENCY END PRODUCT APPROVALS - SEE SYSTEM MANUFACTURE.

UTILICE CONDUCTORES DE COBRE ÚNICAMENTE. UTILICE ESTE EQUIPO EN SISTEMAS CONECTADOS A TIERRA ÚNICAMENTE. SE PROPORCIONA PROTECCIÓN DE FALLA MONOFÁSICA EN EL CIRCUITO PRIMARIO. EL MÓDULO DE PROTECCIÓN Y EL CALENTADOR DE CABLES OPCIONAL DEBERÁN CONECTARSE A SU VOLTAJE NOMINAL RESPECTIVO. EL TIPO Y LAS CARACTERÍSTICAS NOMINALES DEL DISPOSITIVO DE PROTECCIÓN DE SOBRECORRIENTE DEBERÁN RESPETAR LAS APROBACIONES DE LA AGENCIA REGULADORA PARA EL PRODUCTO FINAL. VEÁ LA PLACA DE DATOS.



INTERPRET PER ASME Y14.5M-1994 AND EMERSON CLIMATE TECHNOLOGIES, INC. DESIGN STANDARDS DS2002 DO NOT SCALE DRAWING

THIRD ANGLE PROJECTION

CRITICAL PRODUCT CHARACTERISTIC

UNLESS OTHERWISE SPECIFIED DIMENSIONS ARE MILLIMETER OR (INCH) TOLERANCES:

1-PLACE \pm N/A
2-PLACE \pm N/A
ANGULAR \pm N/A

ECN007348	0	RELEASED	08-30-11	LLB	NJG	KJR
ENG NOTICE NO.	REV. NO.	REVISIONS	DATE	BY	CHKD	APPR
15		THIS DRAWING AND INFORMATION CONTAINED HEREIN ARE THE EXCLUSIVE PROPERTY OF EMERSON CLIMATE TECHNOLOGIES, INC. AND SHALL BE RETURNED UPON DEMAND AND SHALL NOT BE REPRODUCED IN WHOLE OR IN PART, DISCLOSED TO ANYONE ELSE OR USED, WITHOUT THE WRITTEN CONSENT OF EMERSON CLIMATE TECHNOLOGIES, INC.				
MATERIAL SPECIFICATION	N/A	DRAWN BY	LLB	SUPERSEDES DWG. NO. / REV. NO.	497-1162-00 / 0	
		DATE	02-21-14	SCALE	3:8	DATE FORMAT: MM-DD-YY
TITLE	REF DWG-WELD COMP ASM	DRAWING NUMBER	497-1635-00	SHEET 1 OF 1	4	DWG SIZE

UNCONTROLLED - DO NOT MODIFY

COPYRIGHT EMERSON CLIMATE TECHNOLOGIES, INC. - CONFIDENTIAL