

GENERAL INFORMATION:

SHAFT RUNOUT: .001 [.03] T.I.R. PER INCH LENGTH OF EXTENSION

BEARINGS: BALL

MOUNTING POSITION: ALL ANGLE

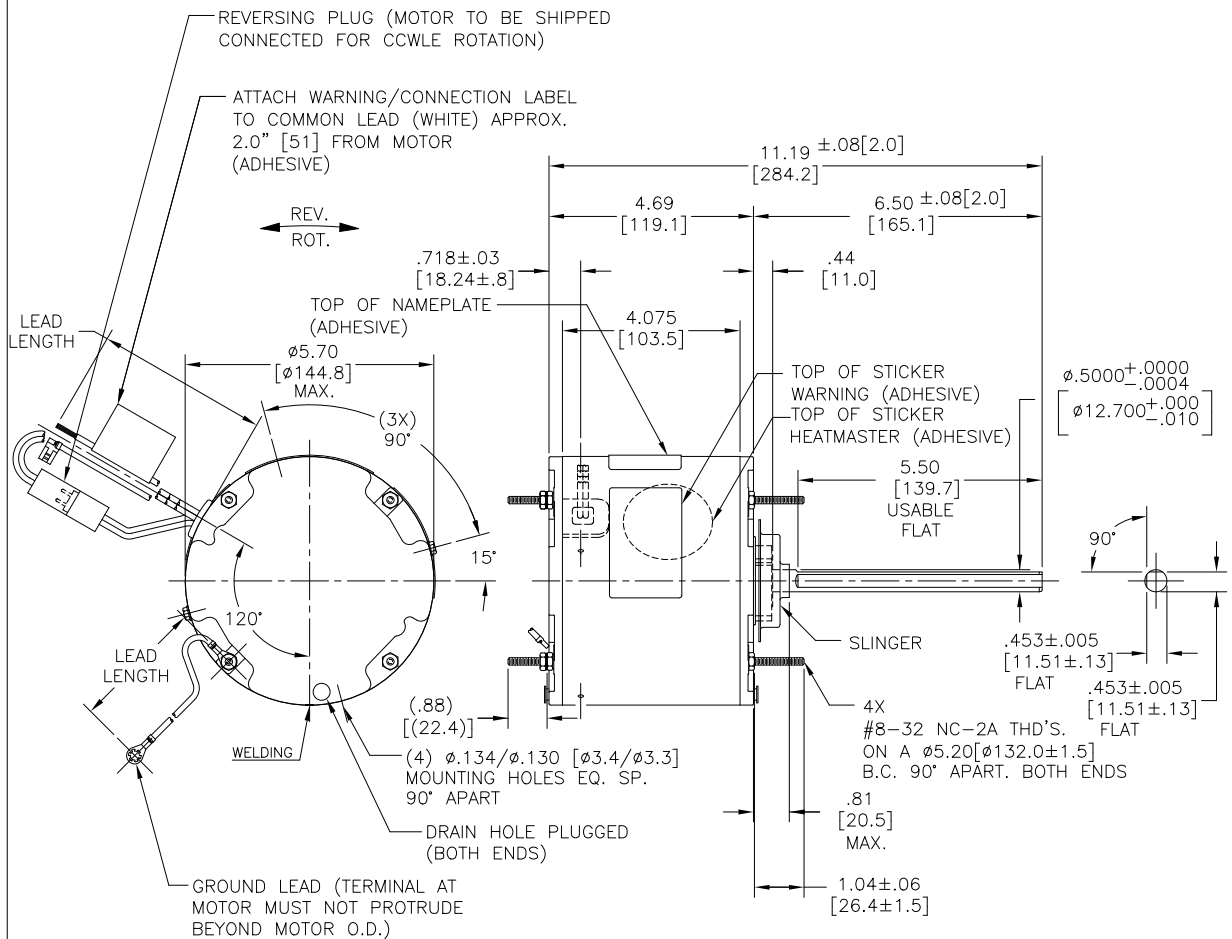
ELECTRICAL DATA:

OVERLOAD PROTECTOR: AUTOMATIC RESET (T.I. 7AM 304)

LINE LEADS: NO. 18 GA., .06 [1.5] THK. XLP 125°C INSUL.

REVERSING LEADS: NO. 18 GA., .03 [.8] THK. XLP 125°C INSUL.


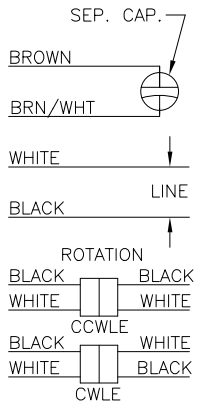
GROUND LEAD: NO. 18 GA., .03 [.8] THK. (GREEN) INSUL.





- NOTES:
1. ATTACH INSTRUCTION SHEET 681572-003 ONTO SHAFT APPROX. 1.0[25] FROM WATER SLINGER (OR 69P9-3 ONLY USED IN MEXICO)
 2. (4) SCREWS N194P1504B9 TO BE PUT IN A POLYBAG.
 3. (4) EXTRA HEX NUTS N238P15B9 ON LEAD END (FINGER TIGHT).
 4. ALL LABELS READ FROM LE.
 5. SPRING SHIM IN OLE SIDE.

GREEN (GROUND)	12.0/13.0 [305/330]	#10 EYELET
BLACK/WHITE	3.0/5.0 [76/127]	REVERSING PLUG
BROWN	48.0/51.0 [1219/1295]	.25 [6.35] FLAG
BROWN/WHITE	48.0/51.0 [1219/1295]	.25 [6.35] FLAG
WHITE	48.0/51.0 [1219/1295]	.50 [12.7] SKIN
BLACK	48.0/51.0 [1219/1295]	.50 [12.7] SKIN
COLOR	LENGTH	TERMINAL OR STRIP LENGTH

MAIN FRAME - OLE	ENCLOSED
END FRAME - OLE	ENCLOSED
MAIN FRAME - LE	ENCLOSED
END FRAME - LE	ENCLOSED

NAMEPLATE DATA:	EXTERNAL CONNECTION DIAGRAM
MODEL NO.: 5KCP39KFDD868S CUST. P/N: FE1028SF HP: 1/4 ROT.: REVERSIBLE RPM: 825 TYPE: UF FRAME: 48Y VOLTS: 208-230 PH: 1 AMPS: 1.5 HZ: 60 INS.: F AMB.: 70°C DUTY: AIR OVER CAP.: 5 MFD/370 V ENCL: ENCLOSED THERMALLY PROTECTED  E27885 MADE IN INDIA	
614131-242	

DRAWING REVISION	REVISION BY	DATE
C	MG	24-08-22
ECO	APPROVED BY	DATE
ECR-0220433	RDS	24-08-22
ECO DESCRIPTION		
CLAMP BOLT PCD ø5.2 WAS ø5.15		
<small> COPYRIGHT REGAL BELTO AMERICA, INC. ALL RIGHTS RESERVED. PROPRIETARY AND CONFIDENTIAL INFORMATION - THIS DOCUMENT IS THE PROPERTY OF REGAL BELTO AMERICA, INC. (OWNER) AND CONTAINS OWNER'S PROPRIETARY INFORMATION. ANY PERSON, CORPORATION OR OTHER ENTITY, DUPLICATED, AND/OR USED, EXCEPT AS EXPRESSLY APPROVED IN WRITING IN ADVANCE BY OWNER, THIS DOCUMENT SHALL BE RETURNED TO OWNER UPON REQUEST. IT MAY BE SUBJECT TO CERTAIN RESTRICTIONS UNDER APPLICABLE EXPORT CONTROL LAWS AND REGULATIONS. </small>		

DRAWN BY:	MG	 Regal Beloit America, Inc.
DATE:	21-12-2021	
APPROVED BY:	LS	DESCRIPTION
DATE:	21-12-2021	MODEL-RFHP-48FR
REFERENCE		OUTLINE
		MATERIAL
		PROCESS/FINISH
THIRD ANGLE PROJECTION		SIZE
		DWG NO
		FE1028SF
		SHEET
		A