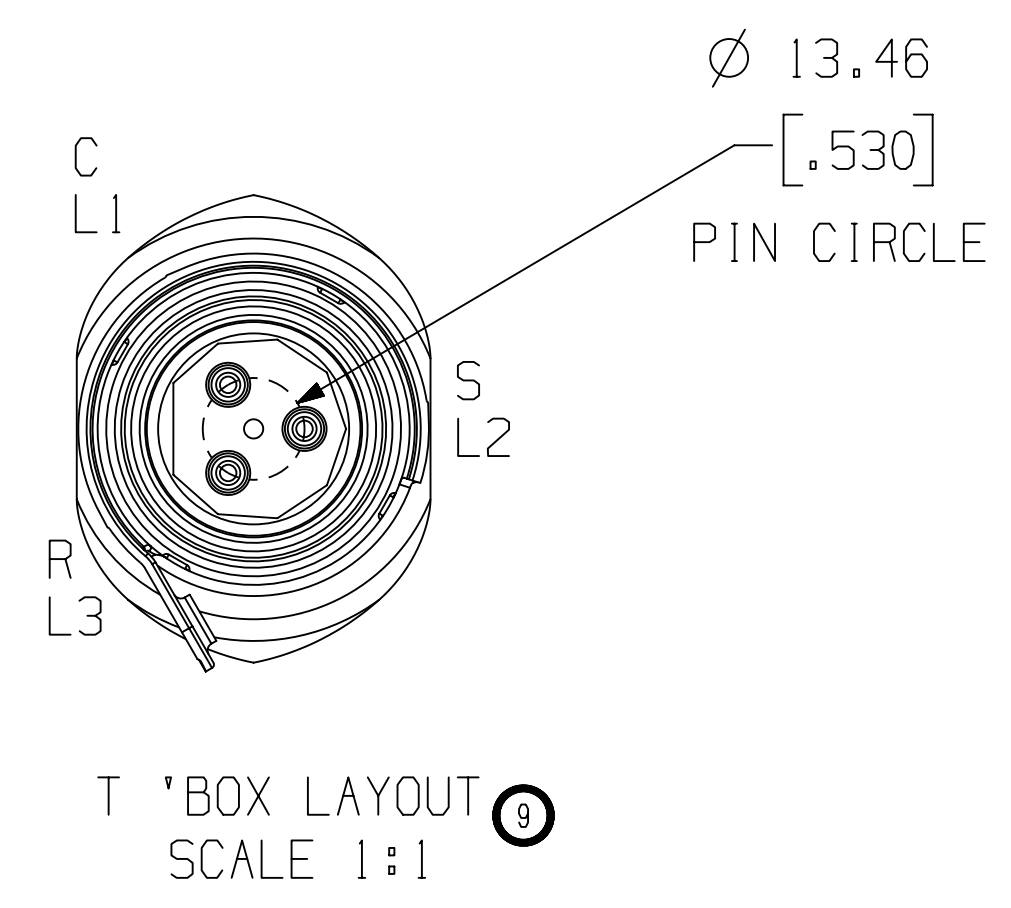
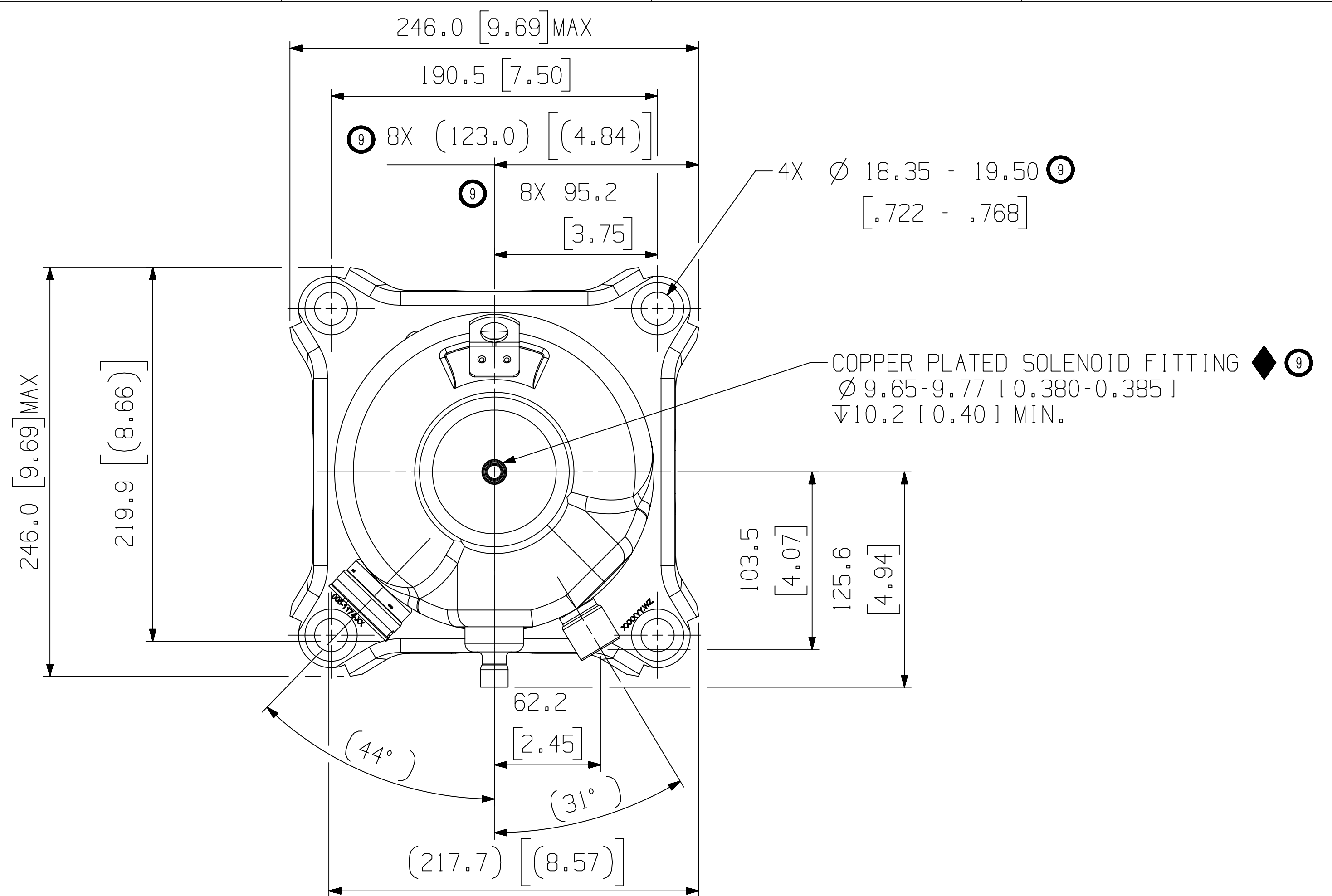


MODEL NUMBER
ZPD61KCE - TFD, TF5, TF7, TFE
ZPD72KCE - TFD, TF5, TF7, TFE
ZPD83KCE - TF5, TFD, TFE

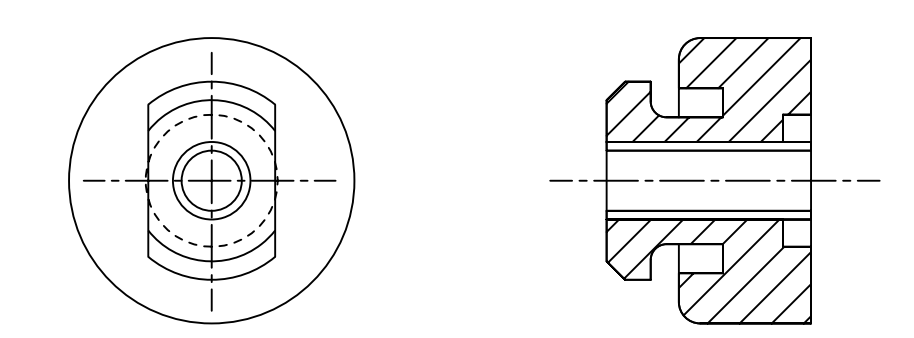
SPECIFICATIONS	
ES NO.	DESCRIPTION
ES92-155	CONVERSION-METRIC



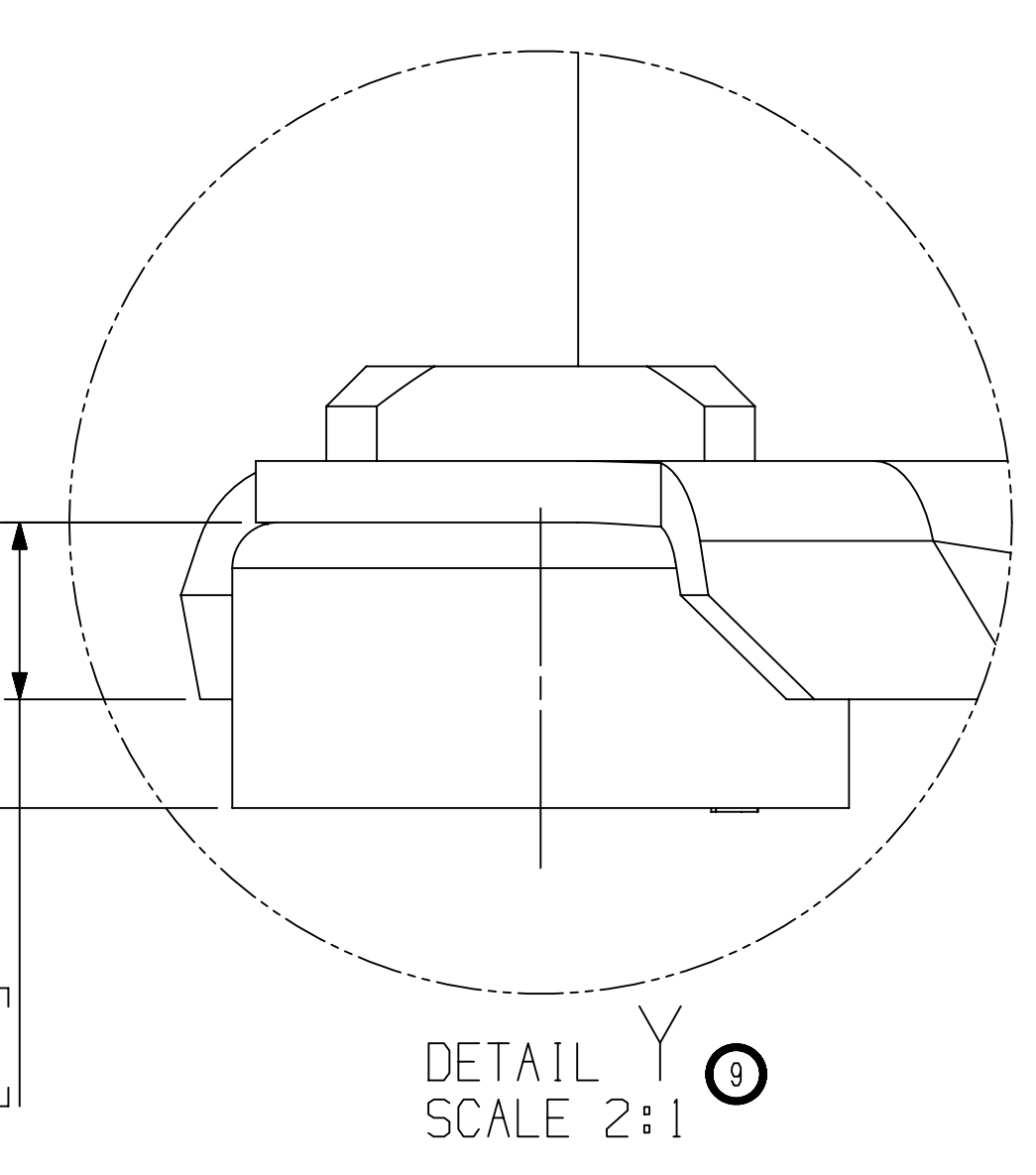
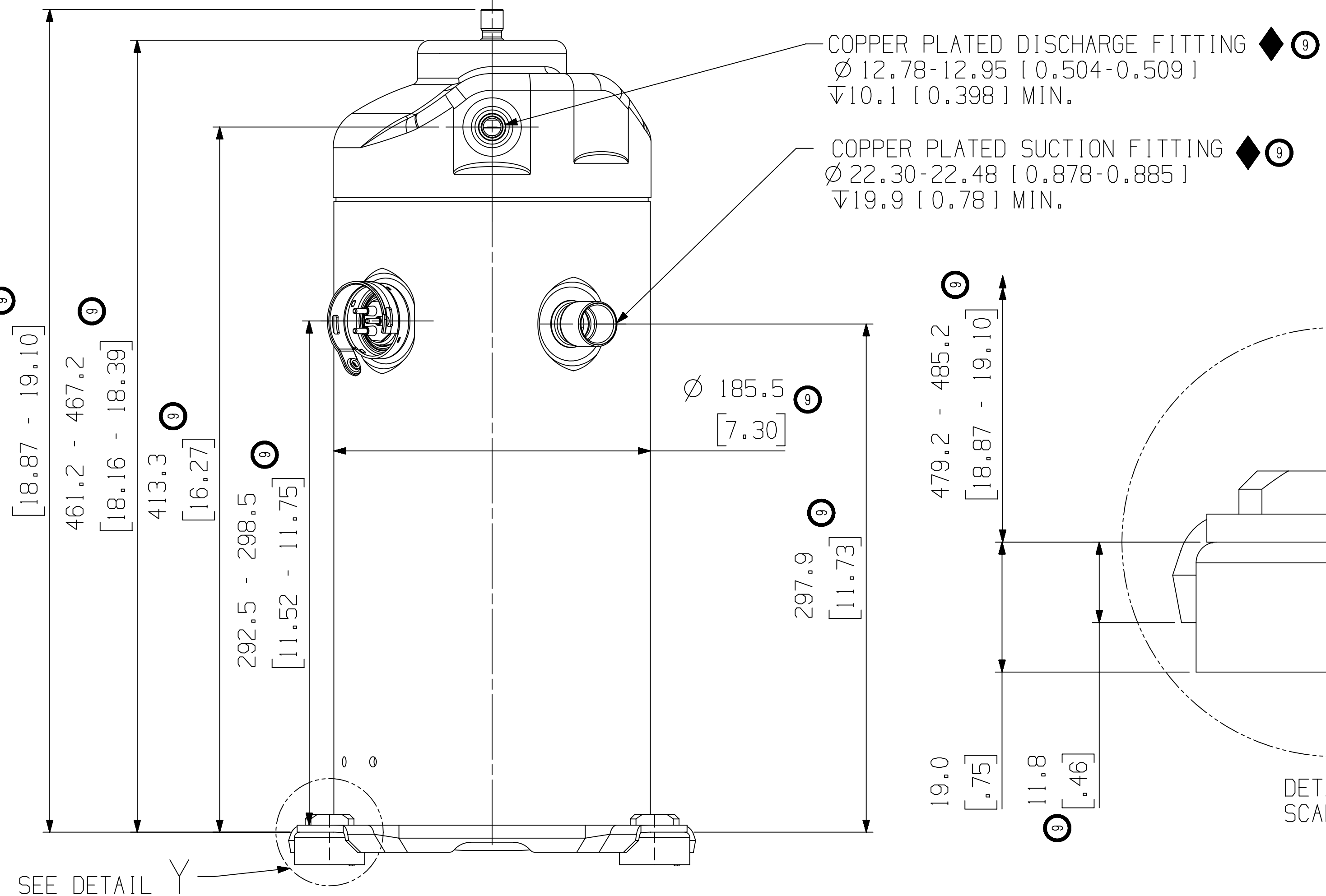
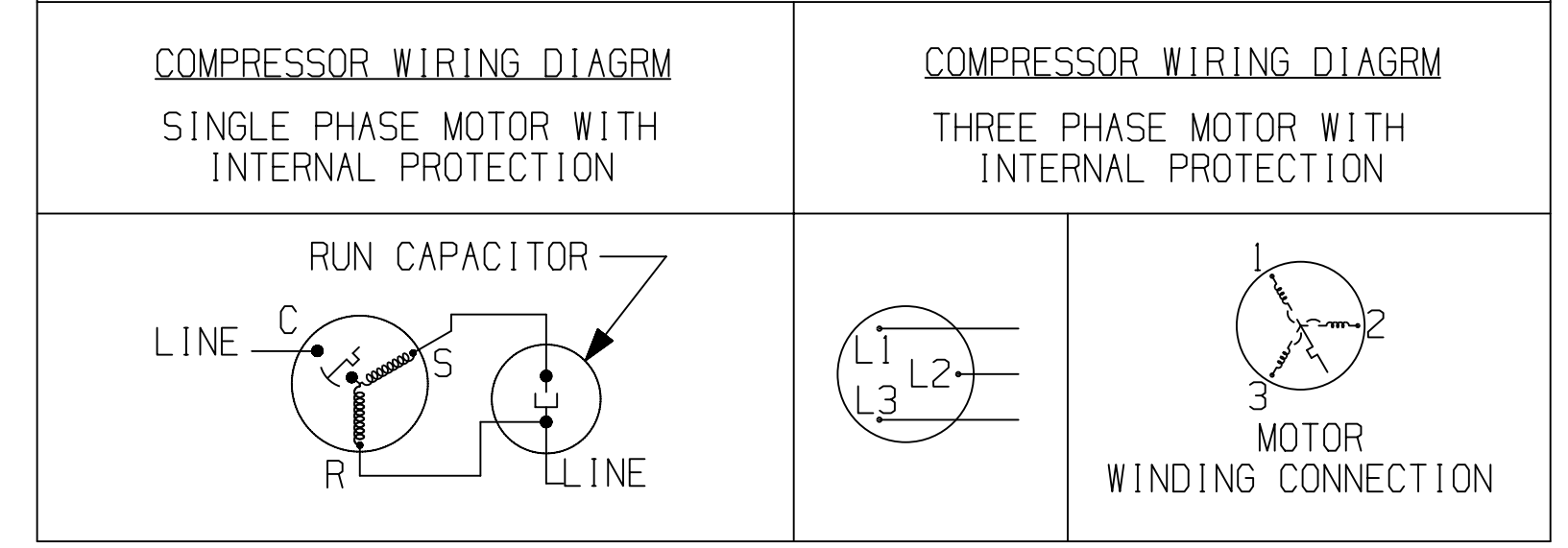
NOTES:  
 ⑨ 1 ALL TOLERANCES ± 1.5 [0.06] UNLESS OTHERWISE SPECIFIED.  
 DUE TO ACCUMULATED ASSEMBLY TOLERANCES THE LISTED COMPONENTS MAY VARY FROM THE MOUNTING HOLES AS SHOWN BELOW:  
 ◆ SUCTION FITTING : ± 3.0 [0.12]  
 ◆ DISCHARGE FITTING: ± 3.0 [0.12]

2. MOUNTING KIT

GROMMET DUROMETER	4 FOOT KIT
35-45	527-0116-00



⑨ USE COPPER CONDUCTORS ONLY. USE MINIMUM 75° C WIRE FOR AMPACITY DETERMINATION. INTERNAL MOTOR PROTECTION - ALLOW TIME FOR RESET. OVERCURRENT PROTECTION DEVICE RATING AND TYPE MUST BE IN ACCORDANCE WITH REGULATORY AGENCY END PRODUCT APPROVALS - SEE SYSTEM NAMEPLATE. CRANKCASE HEATER, WHEN APPLIED, MUST BE CONNECTED ONLY TO ITS RATED VOLTAGE. TO CORRECT IMPROPER ROTATION OF THREE PHASE MODELS, SWITCH ANY TWO SUPPLY LINES. REFER TO THE APPLICABLE SYSTEM WIRING DIAGRAM.



INTERPRET PER ASME Y14.5M-1994 AND COPELAND DESIGN STANDARDS DS2002  
 DO NOT SCALE DRAWING  
 CRITICAL PRODUCT CHARACTERISTICS  
 UNLESS OTHERWISE SPECIFIED DIMENSIONS ARE MILLIMETER OR ( INCH )  
 TOLERANCES:  
 1-PLACE : 0.4  
 2-PLACE : 0.15  
 ANGULAR : 0.5°

ECN325210	10	UPDATED TITLE BLOCK	08-30-23		
ECN320736	9	REDRAWN WITH CHANGES	04-19-22	MB	PBM
32-1104-059	0	RELEASED	06-30-05	XQ	BL
ENG NOTICE NO.	REV. NO.	REVISIONS	DATE	BY	CHKD
CONFIDENTIALITY NOTICE					
THIS DRAWING AND INFORMATION CONTAINED HEREIN ARE THE EXCLUSIVE PROPERTY OF COPELAND LP AND/OR ITS AFFILIATES (COLLECTIVELY "COPELAND") AND SHALL BE RETURNED UPON DEMAND AND SHALL NOT BE REPRODUCED IN WHOLE OR IN PART, DISCLOSED TO ANYONE ELSE OR USED, WITHOUT THE WRITTEN CONSENT OF COPELAND.					
MATERIAL SPECIFICATION		DRAWN BY	SUPERSEDES DWG NO / REV NO		
N/A		MB	497-2851-00 / 008		
TITLE		DATE	SCALE	DATE FORMAT:	
REF DWG-WELD COMP ASSM		04-19-22	1:1	MM-DD-YY	
DRAWING NUMBER			SHEET 1 OF 1 DWG		
497-2851-00			4		