

8		7		6		5		4		3		2		1	
PART NUMBER	MODEL NUMBER	CUSTOMER CONNECTIONS	A	B	C	D	E	F	G	H	J	CONNECTOR BLOCK	SPECIFICATIONS		
			ES NO.	DESCRIPTION											
497-1676-00	ZRD94KC/KCE ZRD94KQE	BRAZED WITHOUT SIGHTGLASS WITHOUT OIL ADJUSTMENT	476.3 [ 18.75 ]	444.3 [ 17.49 ]	93.6 [ 3.69 ]	201.5 [ 7.93 ]	19.1 [ 0.75 ]	-	-	28.49-28.67 [ 1.122-1.129 ]	211.7 [ 8.34 ]	YES	ES92-155	CONVERSION-METRIC	
497-1676-01	ZRD94KC/KCE	ROTA LOCK WITHOUT SIGHTGLASS WITHOUT OIL ADJUSTMENT	476.3 [ 18.75 ]	444.3 [ 17.49 ]	93.6 [ 3.69 ]	201.5 [ 7.93 ]	19.1 [ 0.75 ]	-	-	-	211.7 [ 8.34 ]	YES			
497-1676-02	ZRD125KC/KCE	BRAZED WITHOUT SIGHTGLASS WITHOUT OIL ADJUSTMENT	533.2 [ 20.99 ]	501.2 [ 19.73 ]	122.1 [ 4.81 ]	242.8 [ 9.56 ]	19.1 [ 0.75 ]	-	-	34.84-35.02 [ 1.372-1.379 ]	253.0 [ 9.96 ]	YES			
497-1676-03	ZRD125KC/KCE	ROTA LOCK WITHOUT SIGHTGLASS WITHOUT OIL ADJUSTMENT	533.2 [ 20.99 ]	501.2 [ 19.73 ]	122.1 [ 4.81 ]	242.8 [ 9.56 ]	19.1 [ 0.75 ]	-	-	-	253.0 [ 9.96 ]	YES			
497-1676-04	ZRD94KC/KCE	BRAZED WITH SIGHTGLASS WITH OIL ADJUSTMENT	476.3 [ 18.75 ]	444.3 [ 17.49 ]	93.6 [ 3.69 ]	201.5 [ 7.93 ]	19.1 [ 0.75 ]	67.6 [ 2.66 ]	74.3 [ 2.93 ]	28.49-28.67 [ 1.122-1.129 ]	211.7 [ 8.34 ]	YES			
497-1676-05	ZRD94KC/KCE	ROTA LOCK WITH SIGHTGLASS WITH OIL ADJUSTMENT	476.3 [ 18.75 ]	444.3 [ 17.49 ]	93.6 [ 3.69 ]	201.5 [ 7.93 ]	19.1 [ 0.75 ]	67.6 [ 2.66 ]	74.3 [ 2.93 ]	-	211.7 [ 8.34 ]	YES			
497-1676-06	ZRD125KC/KCE ZPD103KCE ZPD120KCE ZPD137KCE	BRAZED WITH SIGHTGLASS WITH OIL ADJUSTMENT	533.2 [ 20.99 ]	501.2 [ 19.73 ]	122.1 [ 4.81 ]	242.8 [ 9.56 ]	19.1 [ 0.75 ]	92.3 [ 3.63 ]	92.3 [ 3.63 ]	34.84-35.02 [ 1.372-1.379 ]	253.0 [ 9.96 ]	YES			
497-1676-07	ZRD125KC/KCE ZPD103KCE ZPD120KCE ZPD137KCE	ROTA LOCK WITH SIGHTGLASS WITH OIL ADJUSTMENT	533.2 [ 20.99 ]	501.2 [ 19.73 ]	122.1 [ 4.81 ]	242.8 [ 9.56 ]	19.1 [ 0.75 ]	92.3 [ 3.63 ]	92.3 [ 3.63 ]	-	253.0 [ 9.96 ]	YES			
497-1676-08	ZPD103KCE ZPD120KCE ZPD137KCE	BRAZED WITH SIGHTGLASS WITH OIL ADJUSTMENT	533.2 [ 20.99 ]	501.2 [ 19.73 ]	122.1 [ 4.81 ]	242.8 [ 9.56 ]	19.1 [ 0.75 ]	92.3 [ 3.63 ]	92.3 [ 3.63 ]	34.84-35.02 [ 1.372-1.379 ]	253.0 [ 9.96 ]	NO			

NOTES:

1 ALL TOLERANCES ± 1.5 [ 0.06 ] UNLESS OTHERWISE SPECIFIED. DUE TO ACCUMULATED ASSEMBLY TOLERANCES THE LISTED COMPONENTS MAY VARY FROM THE MOUNTING HOLES AS TABULATED.

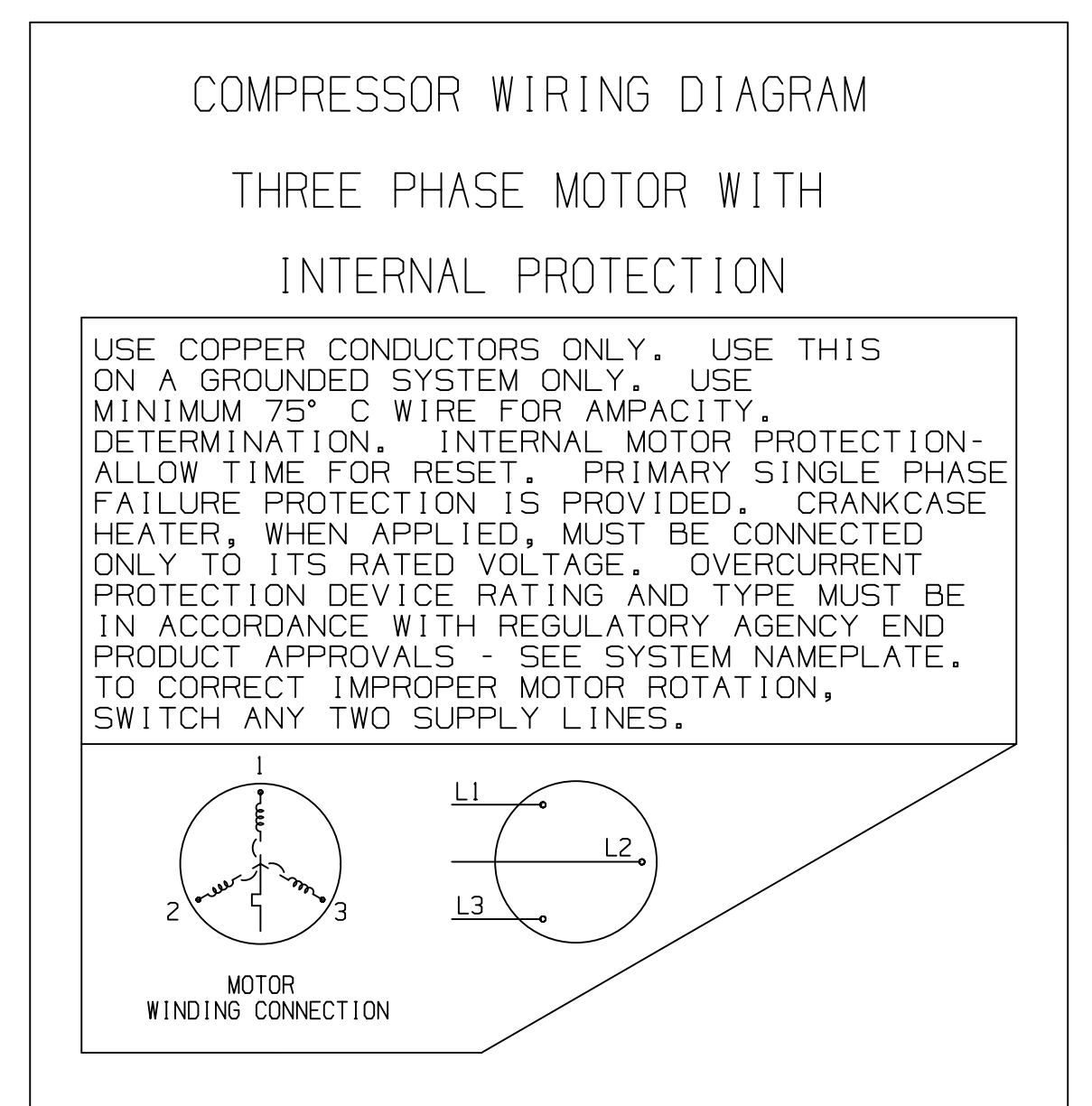
◆ SUCTION FITTING ± 3.0 [ 0.12 ]

◆ DISCHARGE FITTING ± 3.0 [ 0.12 ]

2. MOUNTING KIT : 527-0116-00.

3. TUBE ENDS MUST BE PLUGGED.

4 GROUNDING SCREW AND WASHER PER BOM.



ECN313112	2	SEE SH-HET 1	01-21-20	KVM	PBM
ECN300567	1	ADDED MODEL NUMBER TO -00	09-25-17	VBK	MD
ECN008643	0	RELEASED	06-30-14	VPV	LLB
ENG NOTICE NO.	REV. NO.	REVISIONS	DATE	BY	CHKD
15		CONFIDENTIALITY NOTICE			
THIS DRAWING AND INFORMATION CONTAINED HEREIN ARE THE EXCLUSIVE PROPERTY OF EMERSON CLIMATE TECHNOLOGIES, INC AND/OR ITS AFFILIATES (COLLECTIVELY "EMERSON") AND SHALL BE RETURNED UPON DEMAND AND SHALL NOT BE REPRODUCED IN WHOLE OR IN PART, DISCLOSED TO ANYONE ELSE OR USED, WITHOUT THE WRITTEN CONSENT OF EMERSON.					
MATERIAL SPECIFICATION		DRAWN BY	SUPERSEDES DWG NO	REV NO	
N/A		VPV	-	-	
		DATE	SCALE	DATE FORMAT	
		06-30-14	1:1	MM-DD-YY	
TITLE			DRAWING NUMBER	SHEET 1 OF 2 DWG	
REF DWG-WELD COMP ASSM			497-1676-00	4	SIZE

EMERSON  
Copeland

INTERPRET PER ASME Y14.5M-1994 AND EMERSON DESIGN STANDARDS DS2002

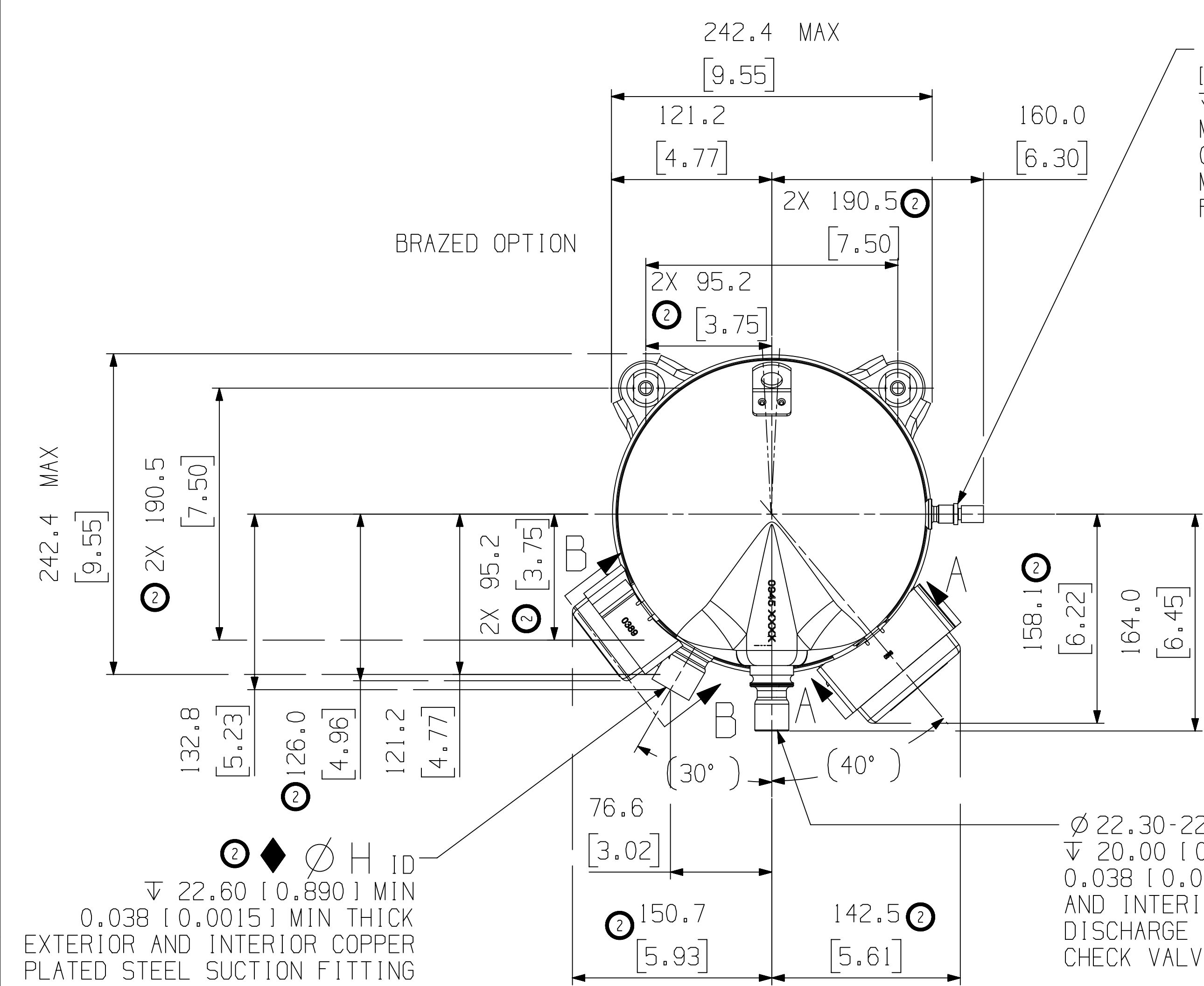
DO NOT SCALE DRAWING

CRITICAL PRODUCT CHARACTERISTICS

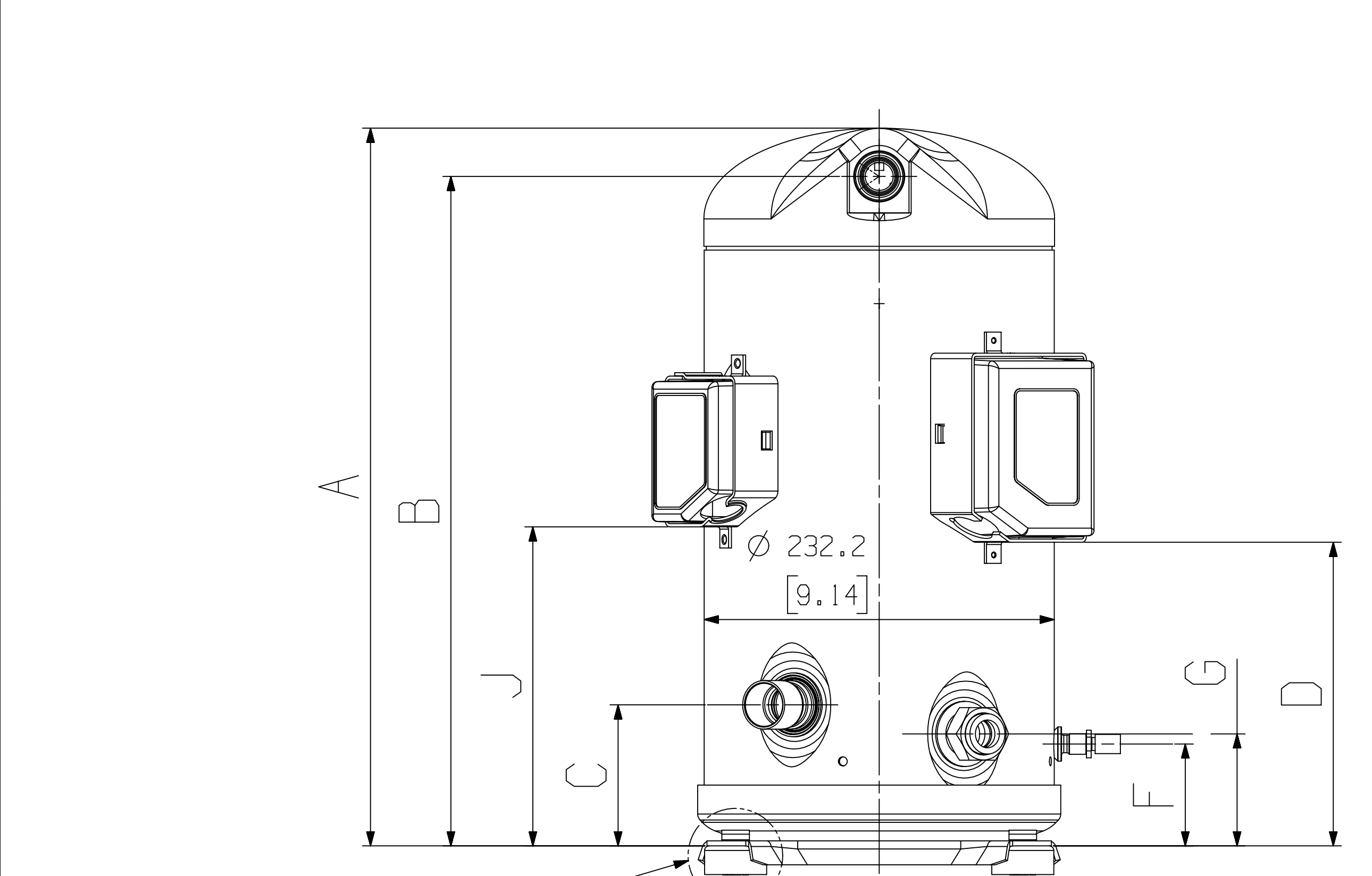
UNLESS OTHERWISE SPECIFIED DIMENSIONS ARE MILLIMETER OR ( INCH )

TOLERANCES:  
1-PLACE ±  
2-PLACE ±  
ANGULAR ± 1

© COPYRIGHT EMERSON - CONFIDENTIAL

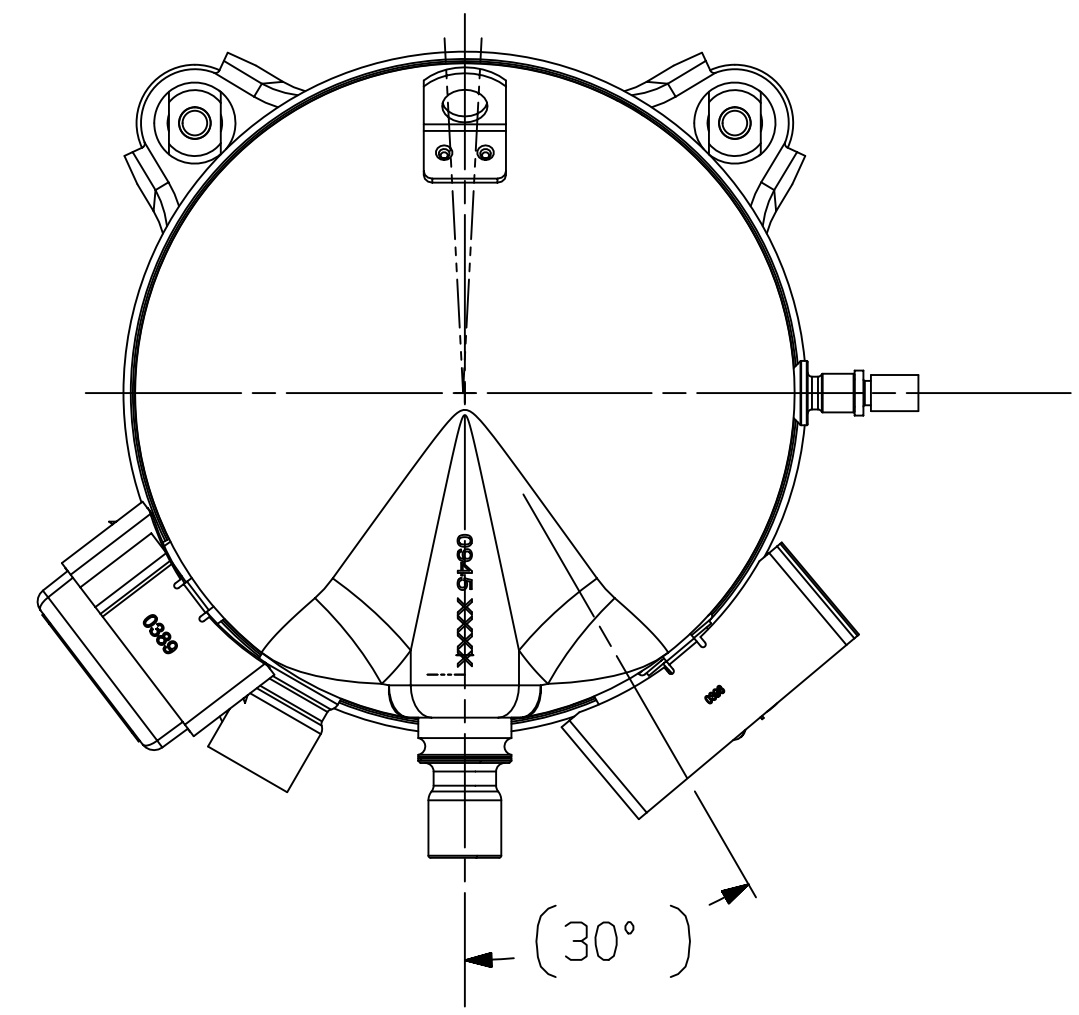


◈  $\varnothing 9.60-9.78$  ID [0.378-0.385]  
 $\nabla 9.40$  [0.370] MIN  
 M9 X 1.25-66 THRU  
 0.06 [0.002] MIN THICK EXTERIOR AND 0.038 [0.0015]  
 MIN THICK INTERIOR COPPER PLATED STEEL OIL LEVEL  
 FITTING. THREADS TO BE FREE OF COPPER PLATING.

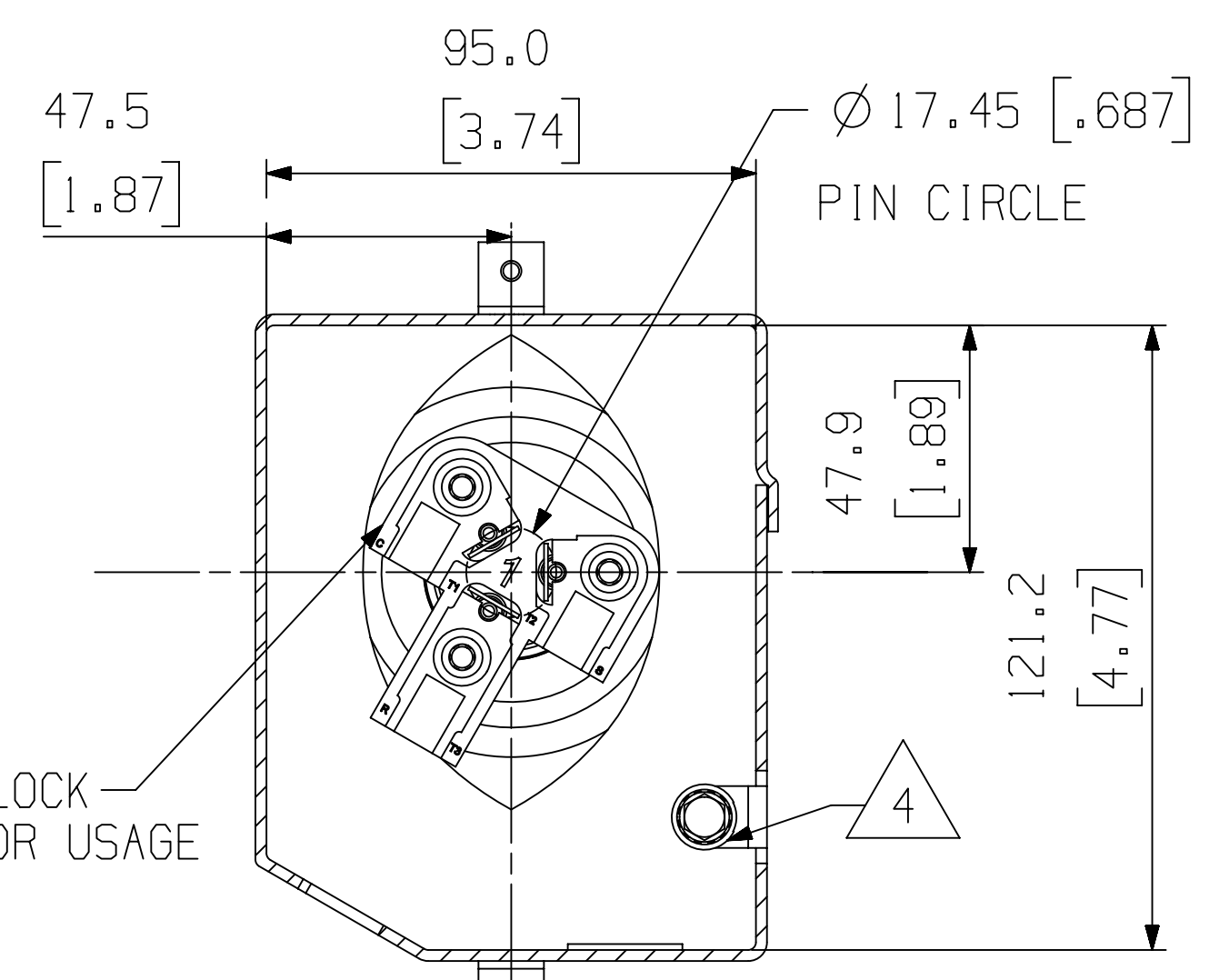


◈  $\varnothing H$  ID  
 $\nabla 22.60$  [0.890] MIN  
 0.038 [0.0015] MIN THICK  
 EXTERIOR AND INTERIOR COPPER  
 PLATED STEEL SUCTION FITTING

◈  $\varnothing 22.30-22.42$  [0.878-0.883] ID  
 $\nabla 20.00$  [0.787] MIN.  
 0.038 [0.0015] MIN. THICK EXTERIOR  
 AND INTERIOR COPPER PLATED  
 DISCHARGE FITTING/STEEL  
 CHECK VALVE

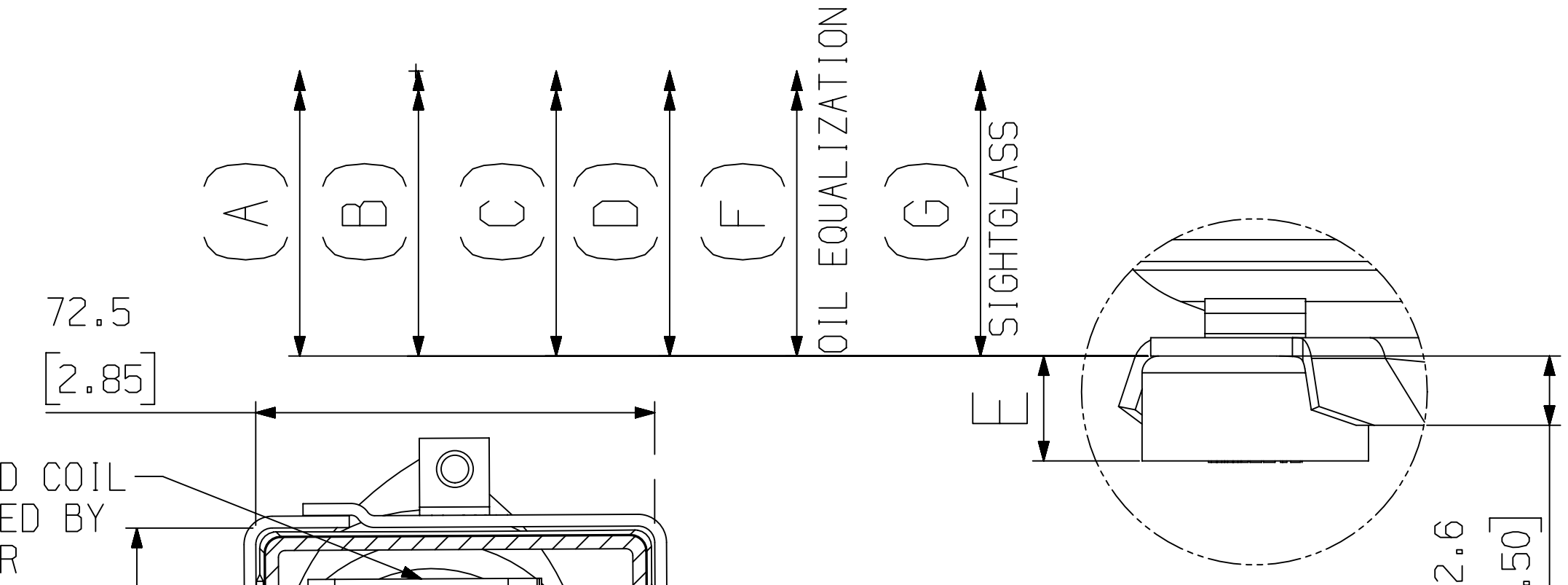


SIGHTGLASS LAYOUT  
T-BOX REMOVED

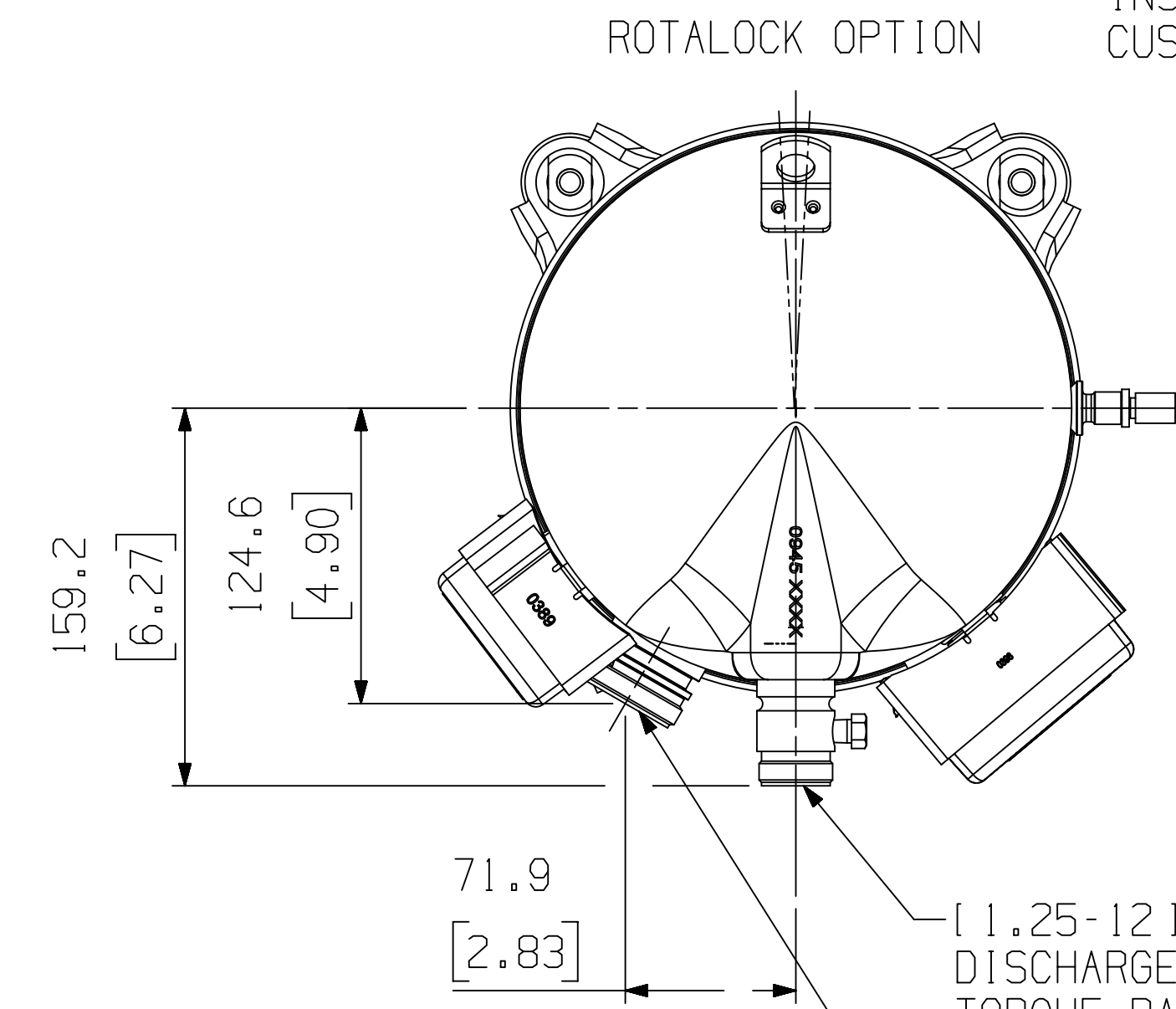


T-BOX LAYOUT STANDARD

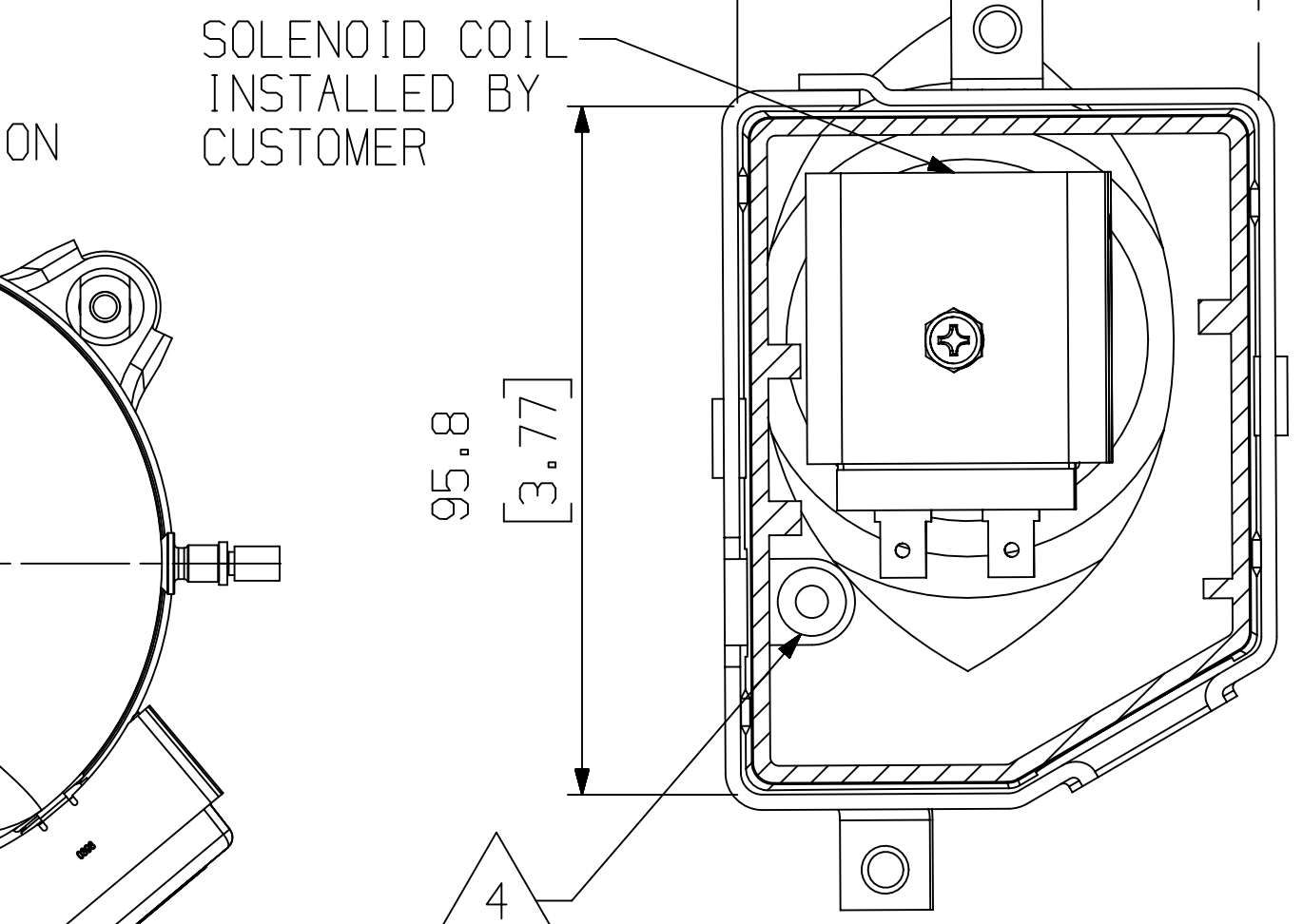
SECTION A-A  
SCALE 3:4



DETAIL Y  
SCALE 1:1



◈ [1.75-12] THREAD ROTALOCK SPUD  
 SUCTION FITTING  
 TORQUE RANGE 170-180 NEWTON-METERS  
 [1500-1590 IN-LBS]



SECTION B-B  
SCALE 1:1

◈ [1.25-12] THREAD ROTALOCK SPUD  
 DISCHARGE CHECK VALVE  
 TORQUE RANGE 100-110 NEWTON-METERS  
 [885-975 IN-LBS]

INTERPRET PER ASME  
 Y14.5M-1994 AND  
 EMERSON DESIGN  
 STANDARDS DS2002

DO NOT SCALE DRAWING

CRITICAL PRODUCT CHARACTERISTICS

UNLESS OTHERWISE SPECIFIED  
 DIMENSIONS ARE MILLIMETER OR ( INCH )  
 TOLERANCES:  
 1-PLACE +  
 2-PLACE +  
 ANGULAR ±

ECN313112	2	PICTORIALLY & DIMENSIONAL UPDATE	01-21-20	KVM	PBM
ECN300567	1	SEE SHEET 1	09-25-17	VBK	MD
ECN008643	0	RELEASED	06-30-14	VPV	LLB
ENG NOTICE NO.	REV. NO.	REVISIONS	DATE	BY	CHKD
CONFIDENTIALITY NOTICE					
15	THIS DRAWING AND INFORMATION CONTAINED HEREIN ARE THE EXCLUSIVE PROPERTY OF EMERSON CLIMATE TECHNOLOGIES, INC AND/OR ITS AFFILIATES (COLLECTIVELY "EMERSON") AND SHALL BE RETURNED UPON DEMAND AND SHALL NOT BE REPRODUCED IN WHOLE OR IN PART, DISCLOSED TO ANYONE ELSE OR USED, WITHOUT THE WRITTEN CONSENT OF EMERSON.				
MATERIAL SPECIFICATION		DRAWN BY	SUPERSEDES DWG NO /	REV NO	
N/A		DATE	SCALE	DATE FORMAT:	
		06-30-14	3:8	MM-DD-YY	
TITLE			DRAWING NUMBER	SHEET 2 OF 2 DWG	
REF DWG-WELD COMP ASSM			497-1676-00	4	
			SIZE		