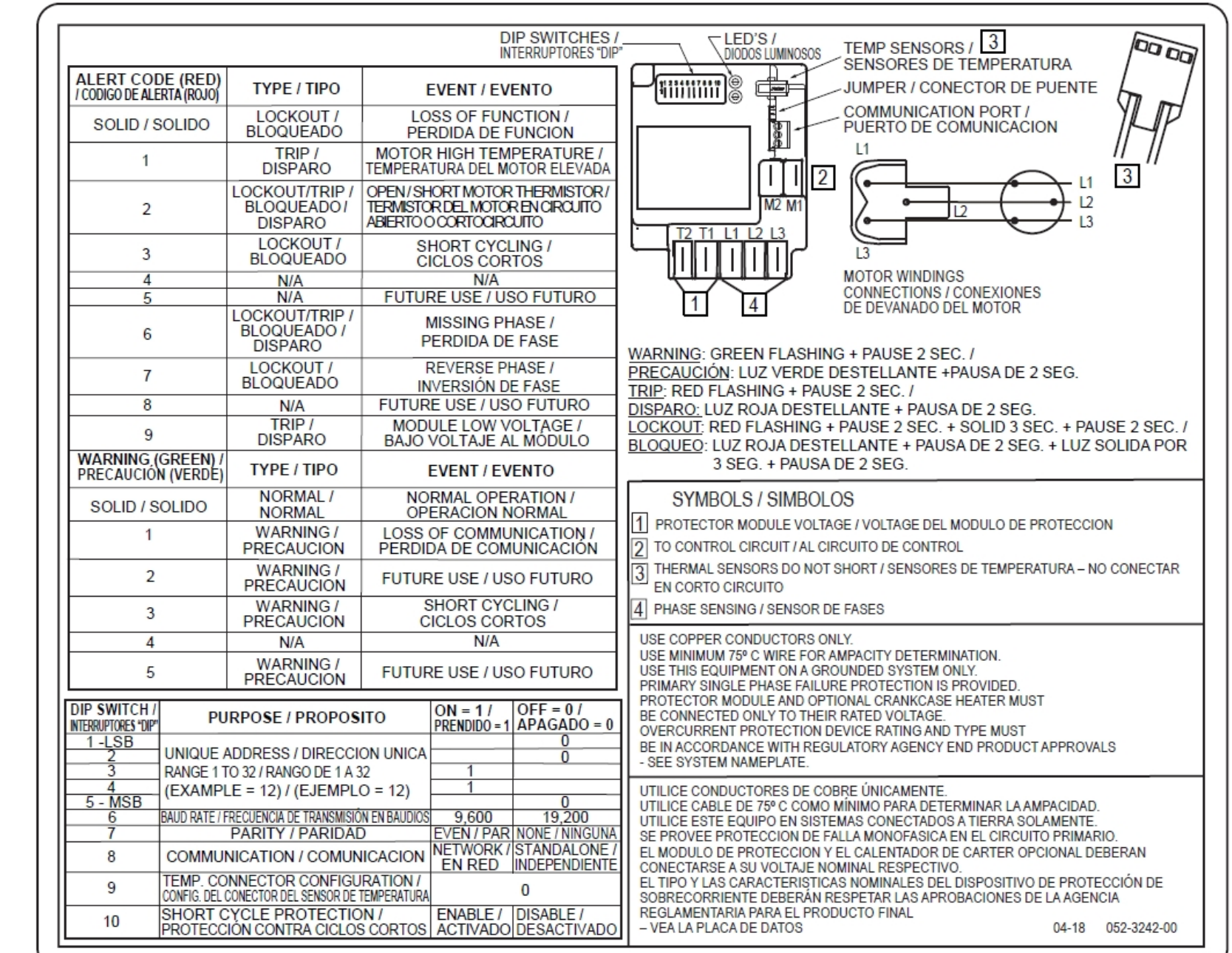


PART NUMBER	MODEL NUMBER	CUSTOMER CONNECTIONS (SUCTION & DISCHARGE)	SIGHT GLASS	OEL
497-3170-00	ZPD182KCE	BRAZED	USE	USE
	ZPD154KCE			
497-3170-01	ZPD182KCE	ROTALOCK	USE	USE
	ZPD154KCE			

SPECIFICATIONS	
ES NO.	DESCRIPTION
ES92-155	CONVERSION-METRIC

- NOTES:
- ALL TOLERANCES  $\pm 1.5$  (0.06) UNLESS OTHERWISE SPECIFIED. DUE TO ACCUMULATED ASSEMBLY TOLERANCES THE LISTED COMPONENTS MAY VARY FROM THE MOUNTING HOLES AS TABULATED.
  - SUCTION FITTING  $\pm 3.0$  (0.12)
  - DISCHARGE FITTING  $\pm 3.0$  (0.12)
  - TUBE ENDS MUST BE PLUGGED.
  - PARTS PURCHASED & INSTALLED BY CUSTOMER PER KIT PART NUMBERS. CONTACT APPLICATION ENGINEERING FOR PART/KIT NUMBERS.
  - TORQUE SCREW 2.5-3.1 NEWTON-METERS [22.5-27.5 IN-LBS].
  - TORQUE NUT 3.6-4.4 NEWTON-METERS [31.9-38.9 IN-LBS].
  - GROUNDING NUT & SPACER MOUNTING KIT PER BILL OF MATERIAL.



PRINT DETAILS ARE SUBJECT TO CHANGE UNTIL PRODUCT IS FINAL RELEASED.

**EMERSON**  
**Copeland**

INTERPRET PER ASME Y14.5M-1994 AND EMERSON DESIGN STANDARDS DS2002

DO NOT SCALE DRAWING

CRITICAL PRODUCT CHARACTERISTICS

UNLESS OTHERWISE SPECIFIED DIMENSIONS ARE MILLIMETER OR ( INCH )

TOLERANCES:  
1-PLACE :  
2-PLACE :  
ANGULAR : 1

ENG NOTICE NO.	REV. NO.	REVISIONS	DATE	BY	CHKD
ECN307267	1	REMOVED VIEW & ADDED DELTA NOTE 7	09-27-19	SSB	LLB
ECN307267	0	RELEASED	05-28-19	SSB	LLB

CONFIDENTIALITY NOTICE

15 THIS DRAWING AND INFORMATION CONTAINED HEREIN ARE THE EXCLUSIVE PROPERTY OF EMERSON CLIMATE TECHNOLOGIES, INC AND/OR ITS AFFILIATES (COLLECTIVELY "EMERSON") AND SHALL BE RETURNED UPON DEMAND AND SHALL NOT BE REPRODUCED IN WHOLE OR IN PART, DISCLOSED TO ANYONE ELSE OR USED, WITHOUT THE WRITTEN CONSENT OF EMERSON.

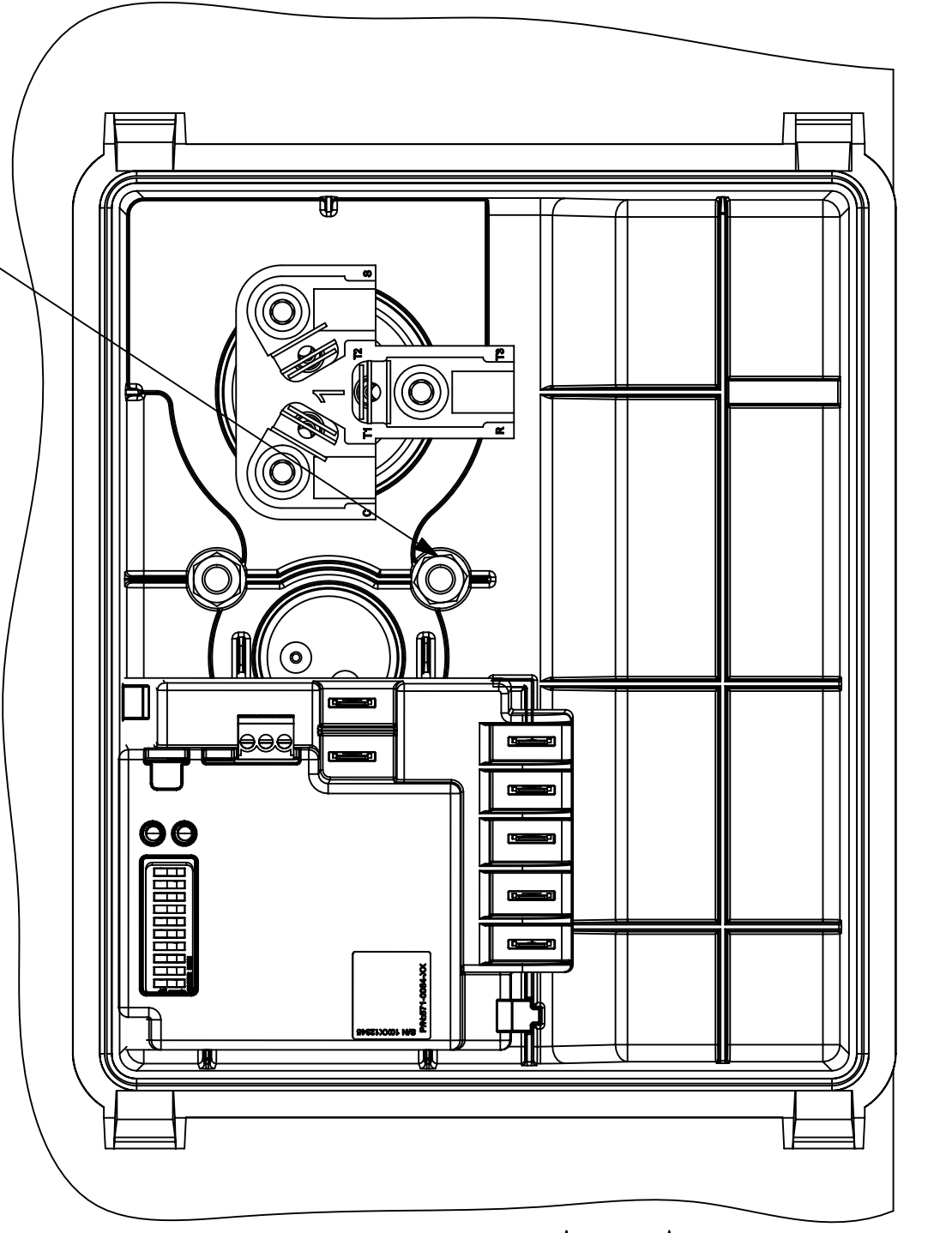
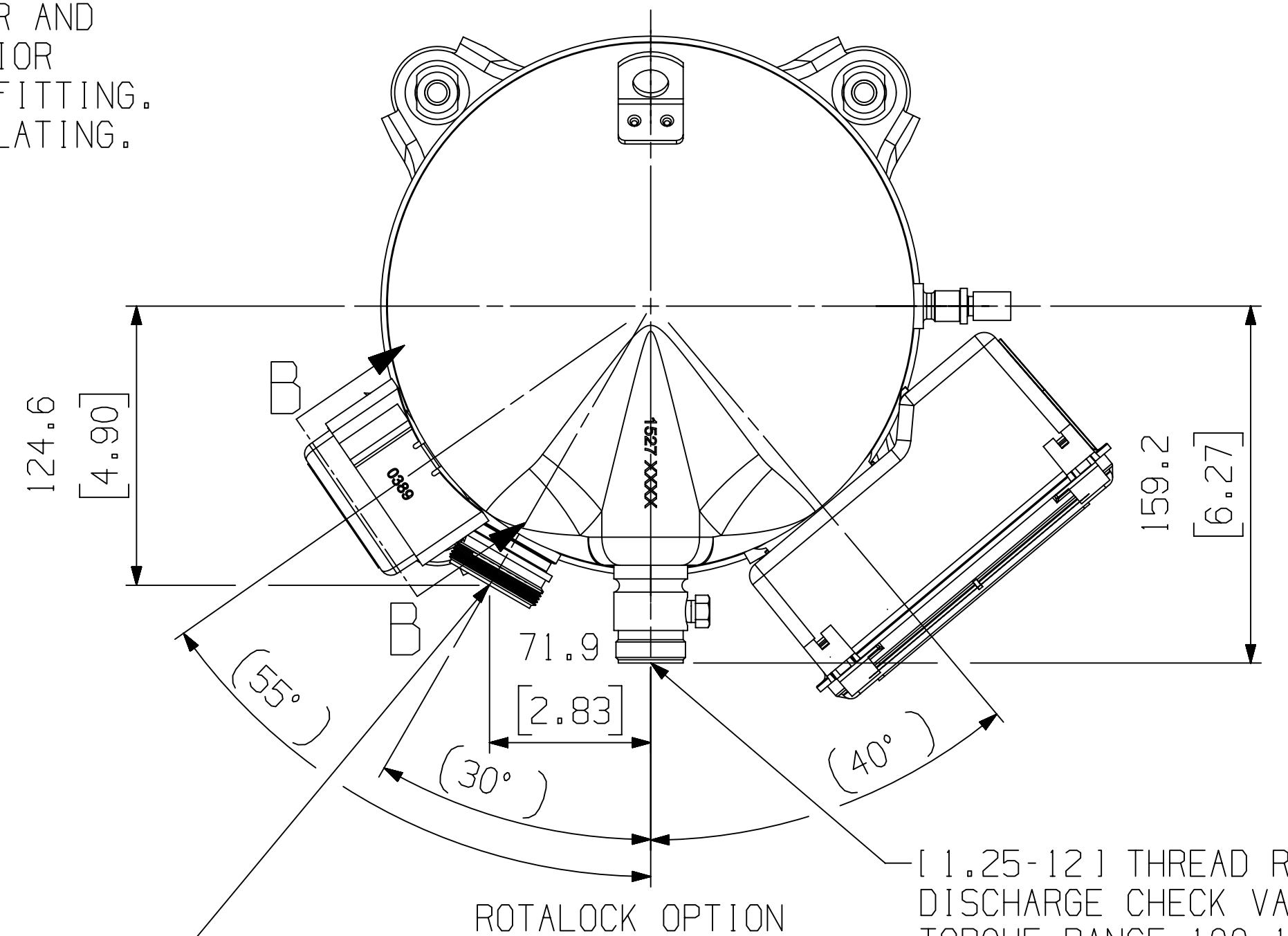
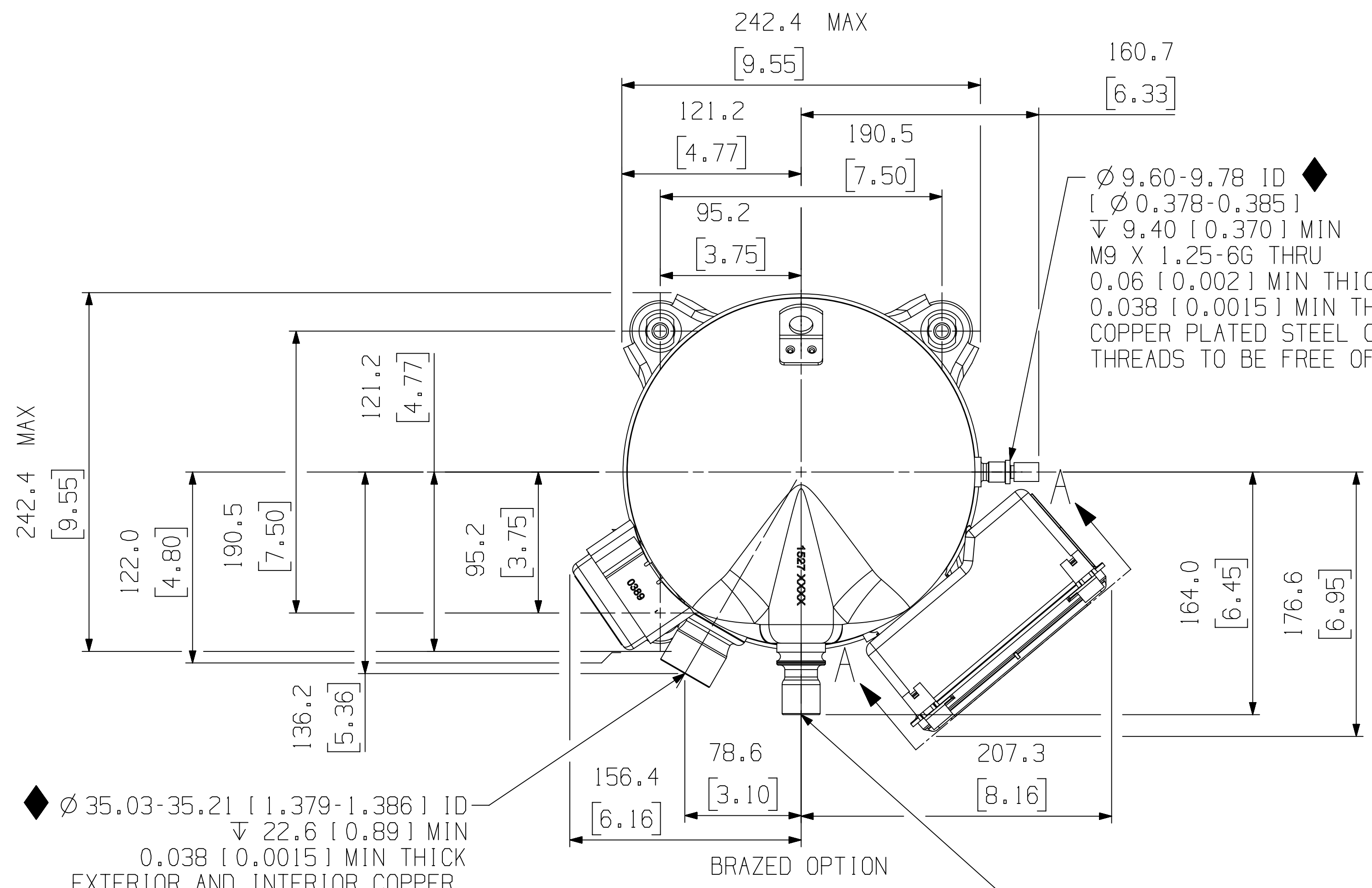
MATERIAL SPECIFICATION	DRAWN BY	SUPERSEDES DWG NO / REV NO
N/A	SSB	497-1610-00 / 003

TITLE	DATE	SCALE	DATE FORMAT
REF DWG-WELD COMP ASSM	05-28-19	3:7	MM-DD-YY

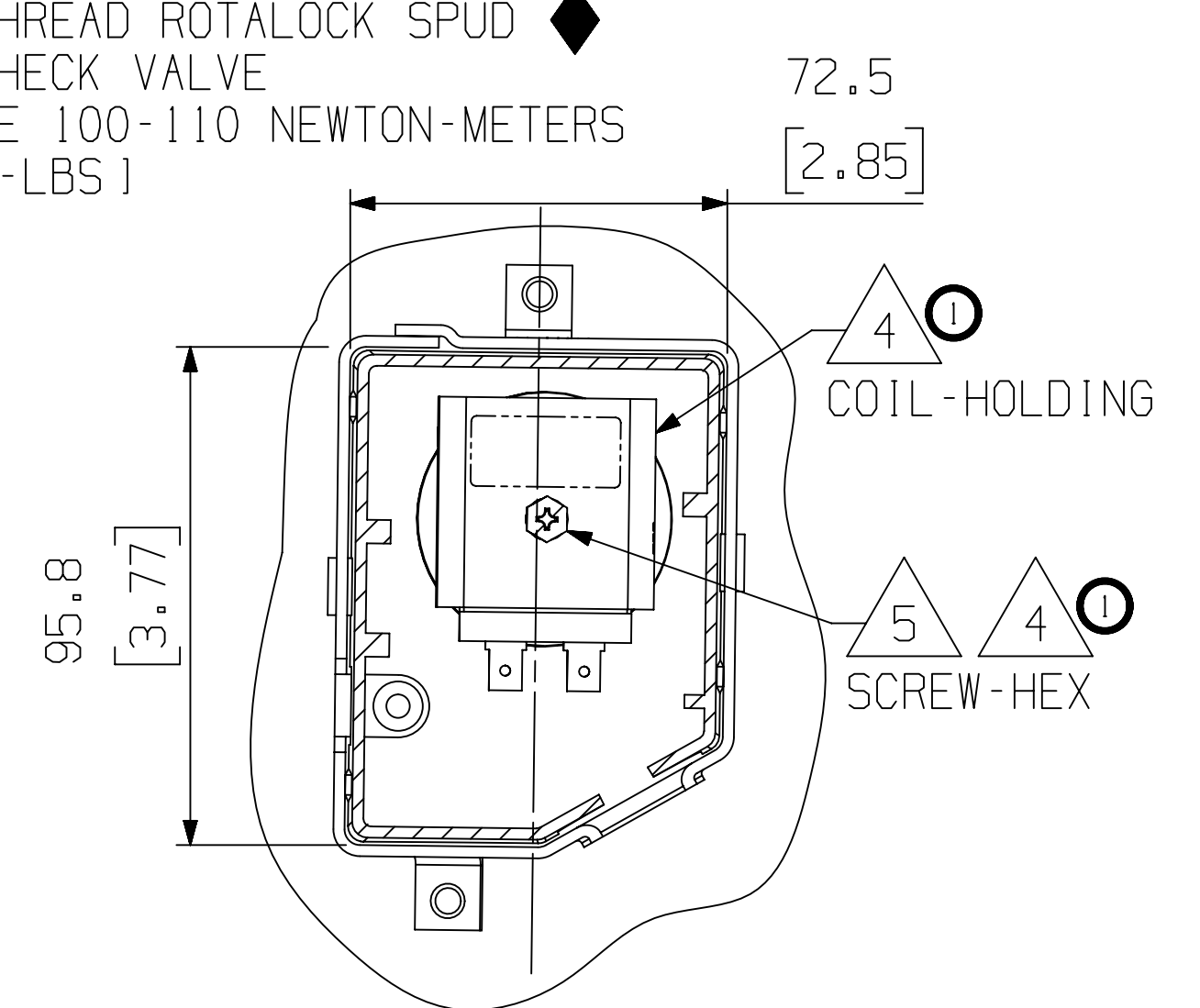
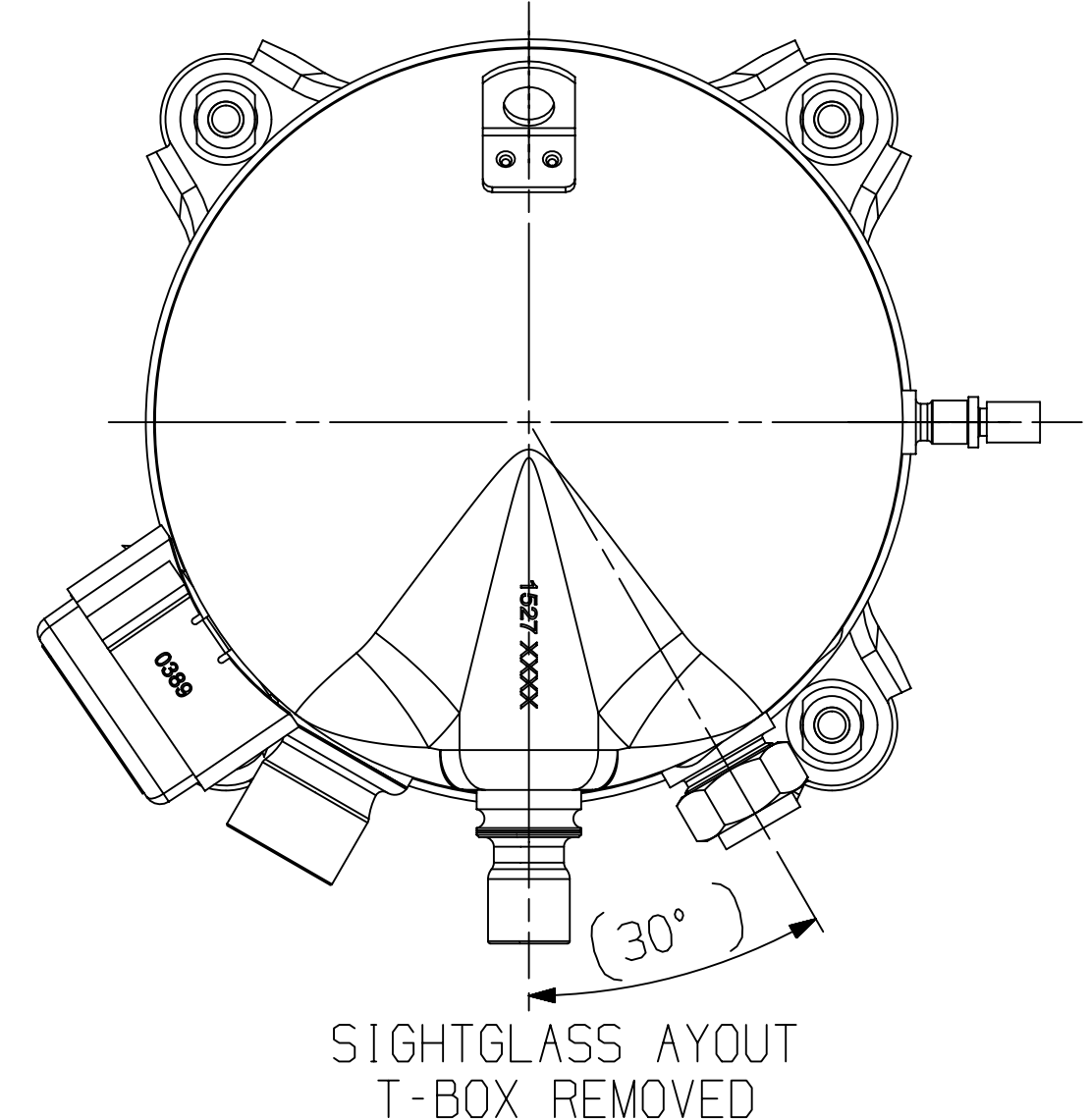
DRAWING NUMBER	SHEET 1 OF 2 DWG
497-3170-00	4

UNCONTROLLED - DO NOT MODIFY

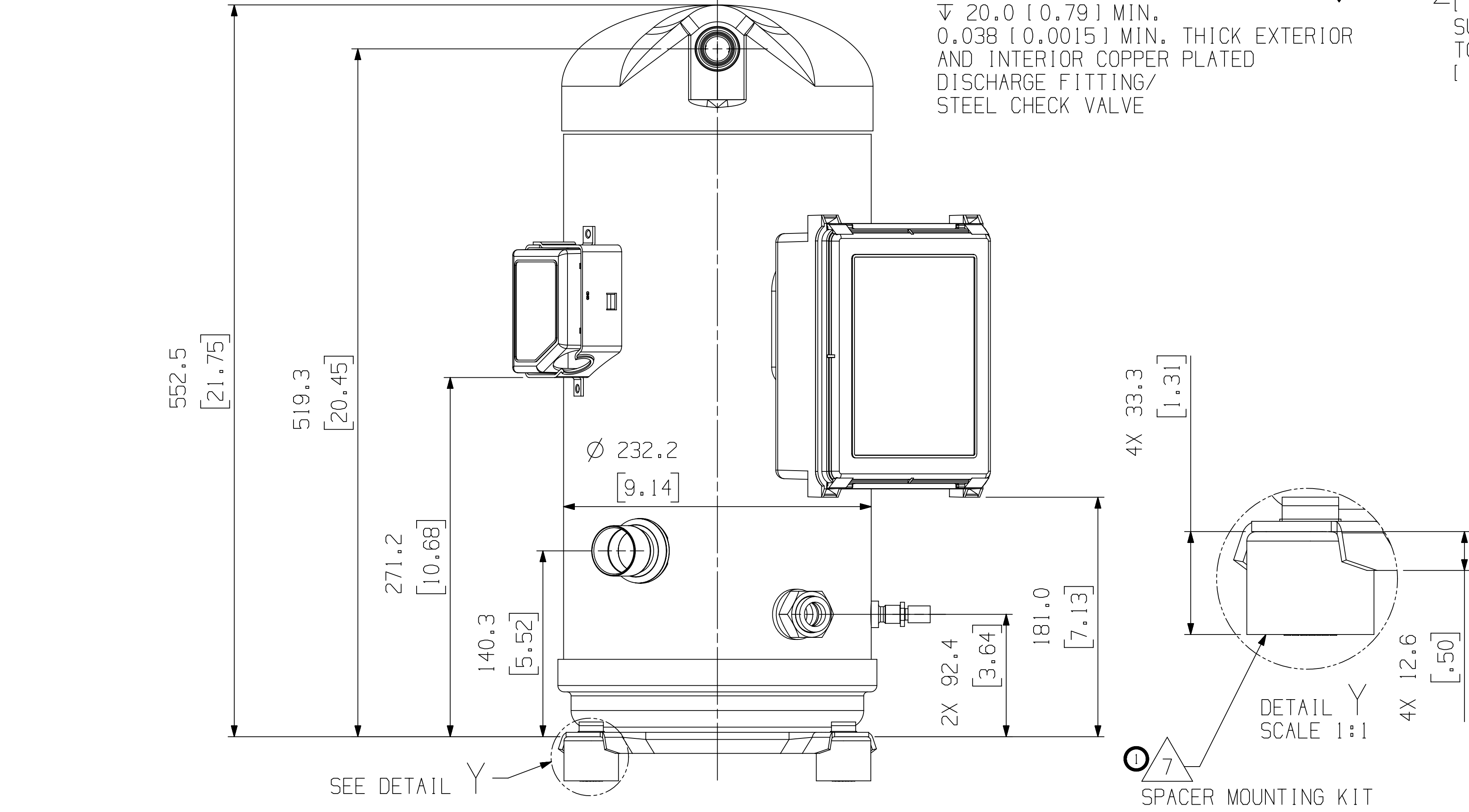
© COPYRIGHT EMERSON - CONFIDENTIAL



SECTION A-A  
SCALE 3:4  
ROTATED 40° CW  
T-BOX LAYOUT STANDARD



SECTION B-B  
SCALE 3:4  
ROTATED 55° CCW  
DIGITAL MANIFOLD OPTION



**EMERSON**  
**Copeland**

INTERPRET PER ASME  
Y14.5M-1994 AND  
EMERSON DESIGN  
STANDARDS DS2002

DO NOT SCALE DRAWING

CRITICAL PRODUCT CHARACTERISTICS

UNLESS OTHERWISE SPECIFIED  
DIMENSIONS ARE MILLIMETER OR ( INCH )  
TOLERANCES:  
1-PLACE ±  
2-PLACE ±  
ANGULAR ±

ECN	REV. NO.	DESCRIPTION	DATE	BY	CHKD
ECN307267	1	ADDED DELTA & NOTE CALLOUTS	09-27-19	SSB	LLB
ECN307267	0	RELEASED	05-28-19	SSB	LLB

CONFIDENTIALITY NOTICE

15 THIS DRAWING AND INFORMATION CONTAINED HEREIN ARE THE EXCLUSIVE PROPERTY OF EMERSON CLIMATE TECHNOLOGIES, INC AND/OR ITS AFFILIATES (COLLECTIVELY "EMERSON") AND SHALL BE RETURNED UPON DEMAND AND SHALL NOT BE REPRODUCED IN WHOLE OR IN PART, DISCLOSED TO ANYONE ELSE OR USED, WITHOUT THE WRITTEN CONSENT OF EMERSON.

MATERIAL SPECIFICATION	DATE	SCALE	DATE FORMAT
N/A	05-28-19	3:7	MM-DD-YY

TITLE	DRAWING NUMBER	SHEET 2 OF 2 DWG
REF DWG-WELD COMP ASSM	497-3170-00	4