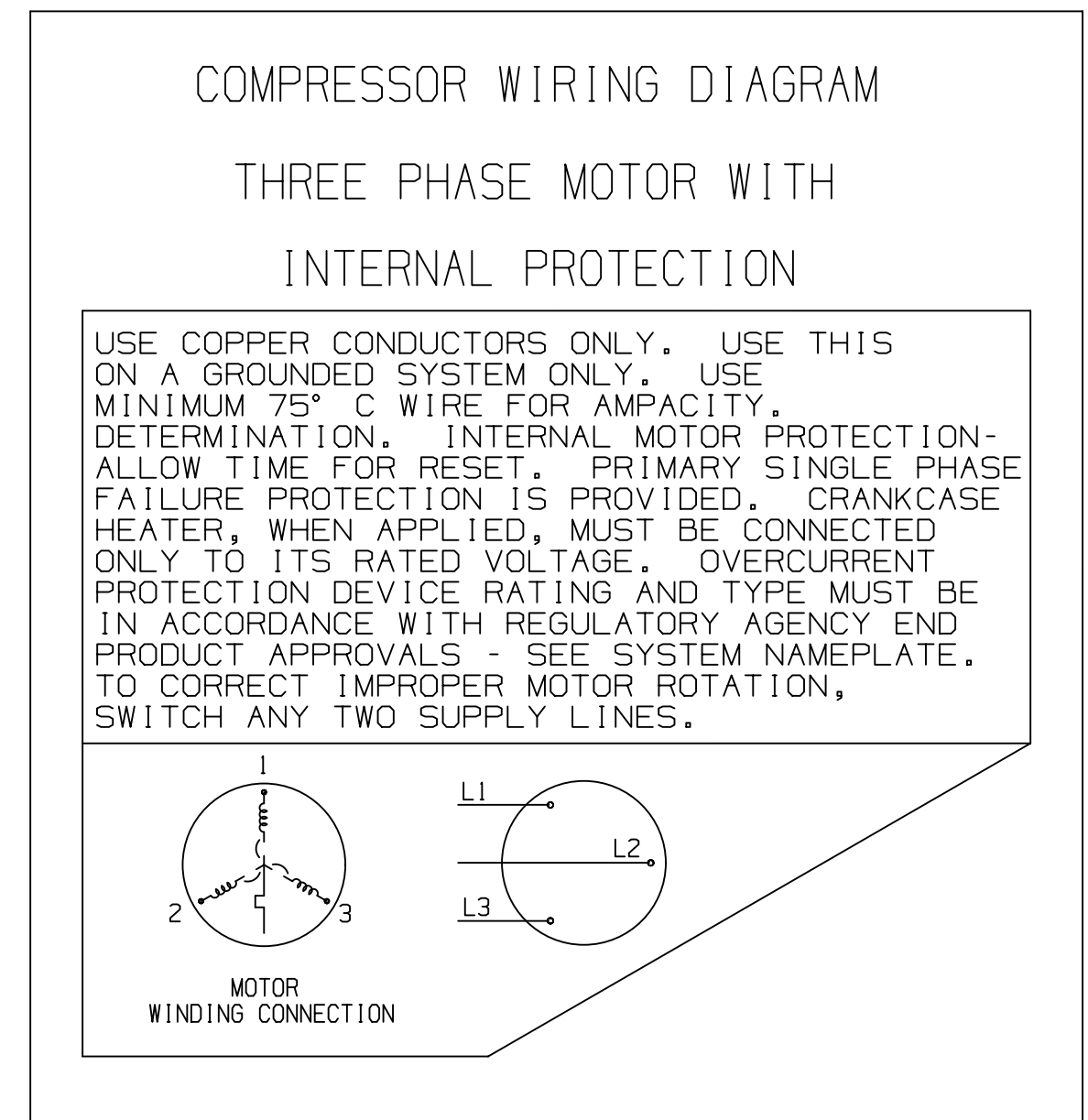


PART NUMBER	MODEL NUMBER	CUSTOMER CONNECTIONS (SUCTION & DISCHARGE)	DIGITAL COIL TERMINAL BOX
497-3348-00	ZB66KCE	BRAZED	OMIT
	ZB76KCE		
	ZB88KCE		
497-3348-01	ZBD76KCE	BRAZED	USE
497-3348-02	ZB66KCE	ROTALOCK	OMIT
	ZB76KCE		
	ZB88KCE		
497-3348-03	ZBD76KCE	ROTALOCK	USE

SPECIFICATIONS	
ES NO.	DESCRIPTION
ES92-155	CONVERSION-METRIC

NOTES:

- ① ALL TOLERANCES  $\pm 1.5$  (0.06) UNLESS OTHERWISE SPECIFIED. DUE TO ACCUMULATED ASSEMBLY TOLERANCES THE LISTED COMPONENTS MAY VARY FROM THE MOUNTING HOLES AS TABULATED.
- ◆ SUCTION FITTING  $\pm 3.0$  (0.12)
- ◆ DISCHARGE FITTING  $\pm 3.0$  (0.12)
- 2. TUBE ENDS MUST BE PLUGGED.
- ③ GROUNDING SCREW AND WASHER PER BOM
- ④ TORQUE SCREW 2.5-3.1 NEWTON-METERS (22.5-27.5 IN-LBS)
- ⑤ PARTS PURCHASED & INSTALLED BY CUSTOMER PER KIT PART NUMBERS. CONTACT APPLICATION ENGINEERING FOR PART/KIT NUMBERS.



ENG NOTICE NO.	REV. NO.	REVISIONS	DATE	BY	CHKD
ECN307567	2	OBSOLETE -01	07-15-20	VVP	AMN
ECN307567	1	SEE SHEET 2 & 3	04-07-20	VVP	AMN
ECN307567	0	RELEASED	09-17-19	VVP	AMN

INTERPRET PER ASME  
Y14.5M-1994 AND  
EMERSON DESIGN  
STANDARDS DS2002

DO NOT SCALE DRAWING

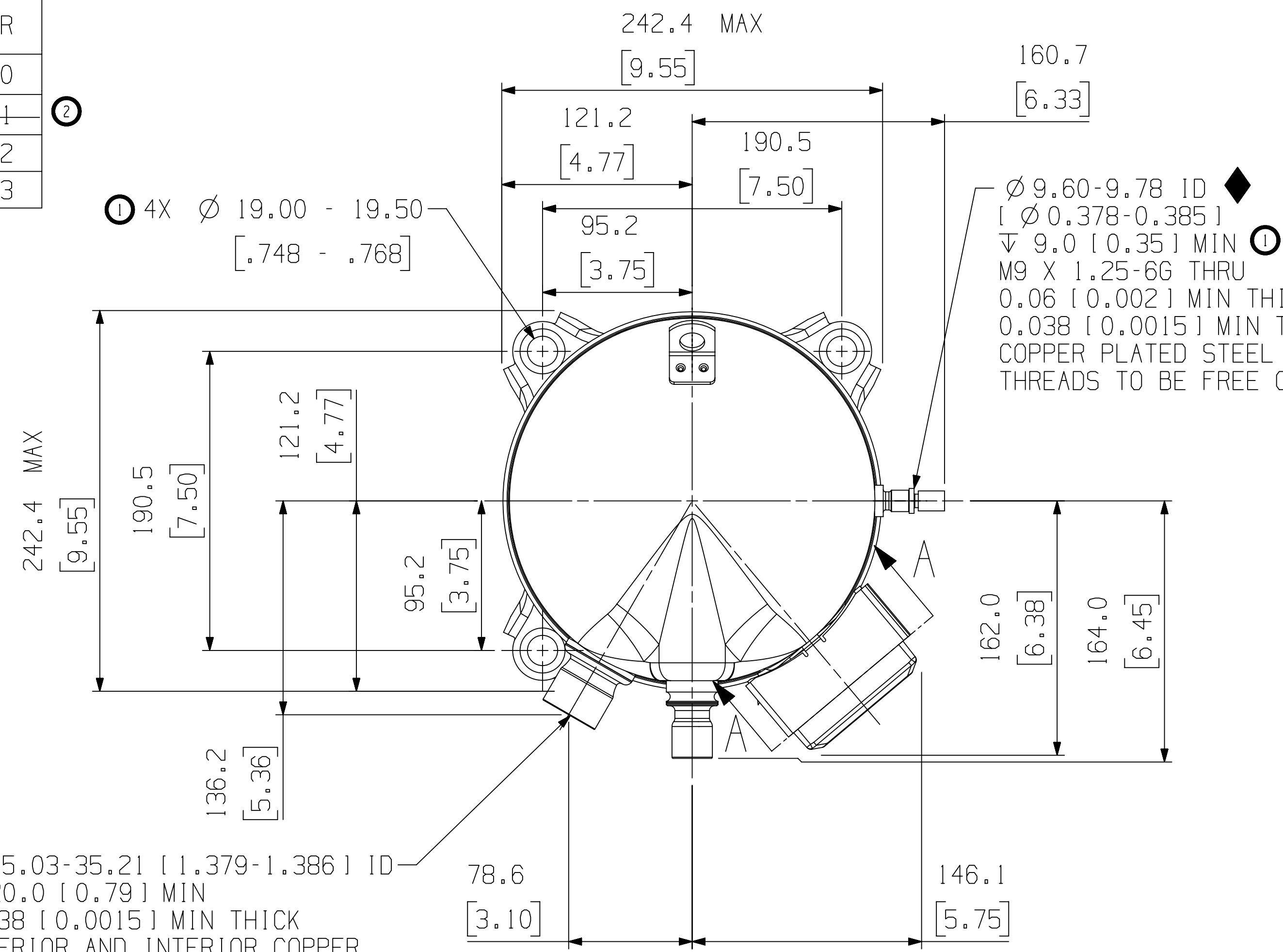
CRITICAL PRODUCT CHARACTERISTICS

UNLESS OTHERWISE SPECIFIED  
DIMENSIONS ARE MILLIMETER OR ( INCH )

TOLERANCES:  
1-PLACE :  $\pm 0.13$   
2-PLACE :  $\pm 0.25$   
ANGULAR :  $\pm 0.5$

CONFIDENTIALITY NOTICE			
15	THIS DRAWING AND INFORMATION CONTAINED HEREIN ARE THE EXCLUSIVE PROPERTY OF EMERSON CLIMATE TECHNOLOGIES, INC AND/OR ITS AFFILIATES (COLLECTIVELY "EMERSON") AND SHALL BE RETURNED UPON DEMAND AND SHALL NOT BE REPRODUCED IN WHOLE OR IN PART, DISCLOSED TO ANYONE ELSE OR USED, WITHOUT THE WRITTEN CONSENT OF EMERSON.		
MATERIAL SPECIFICATION	DRAWN BY	SUPERSEDES DWG NO	REV NO
N/A	VVP	-	-
TITLE	DATE	SCALE	DATE FORMAT
REF DWG-COPE COMP ASSM	09-17-19	1:2	MM-DD-YY
DRAWING NUMBER		SHEET 1 OF 3 DWG	
497-3348-00		4	
SIZE		4	

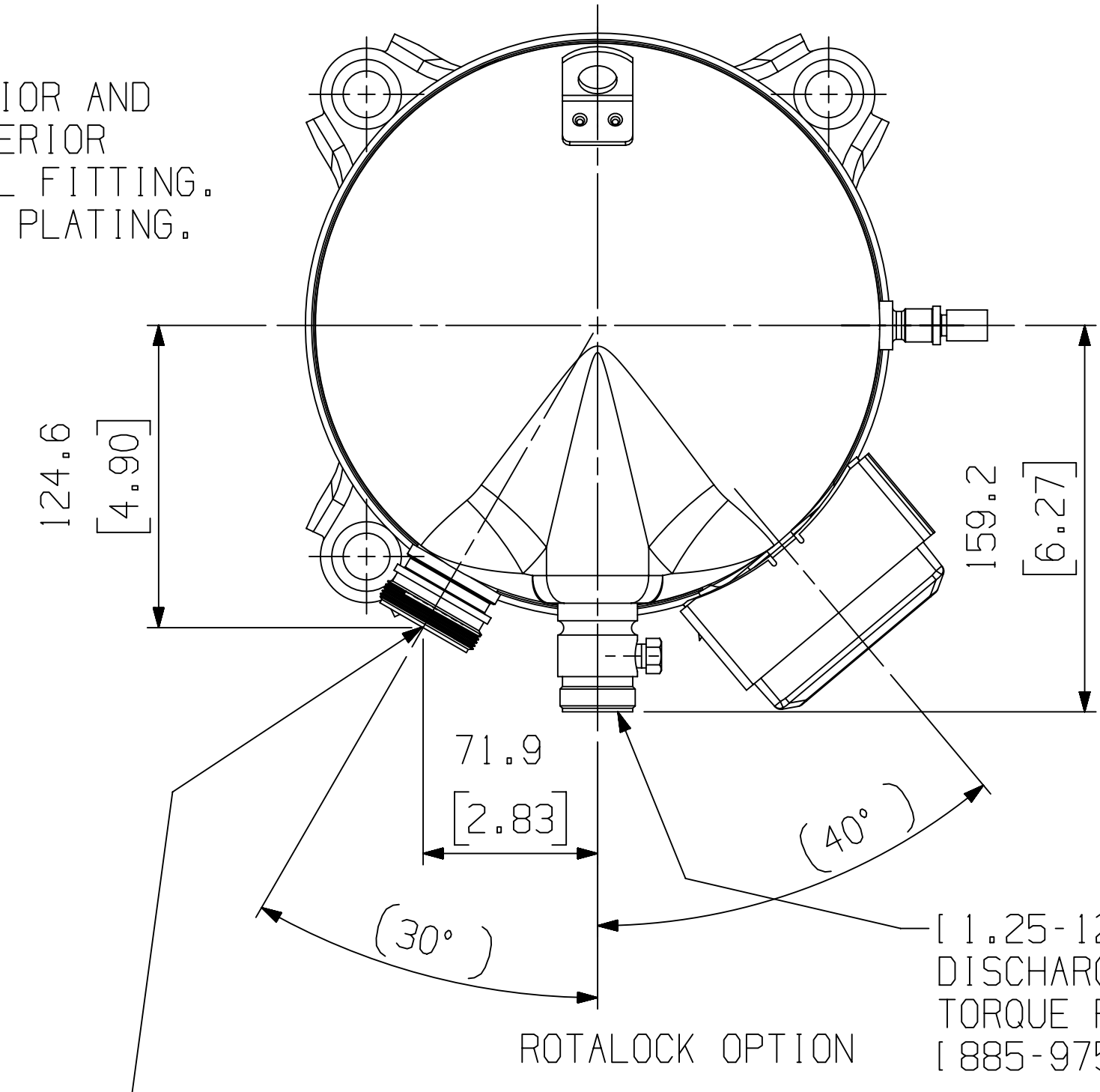
PART NUMBER
497-3348-00
497-3348-01
497-3348-02
497-3348-03



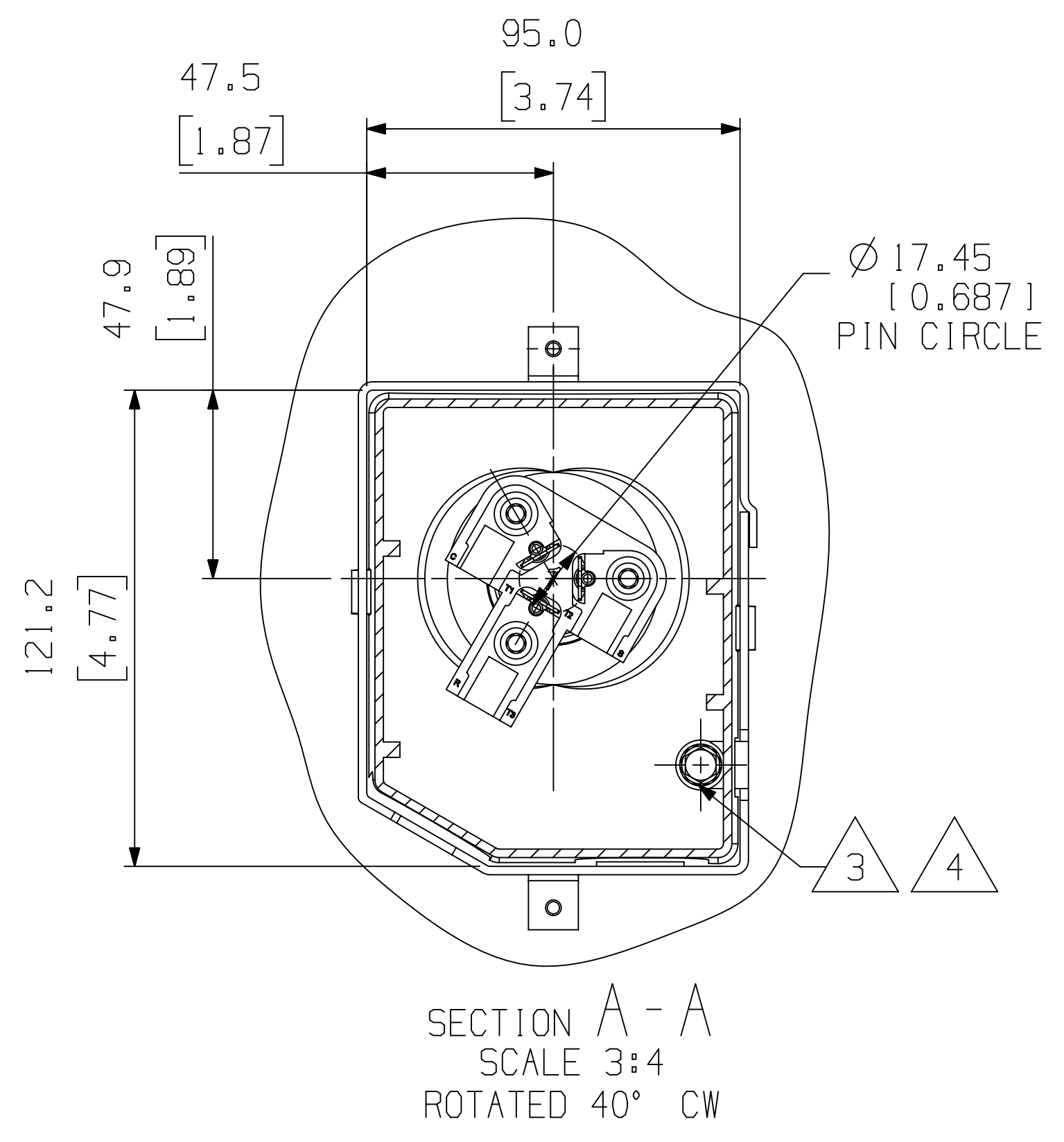
Ø 35.03-35.21 [1.379-1.386] ID  
▽ 20.0 [0.79] MIN  
0.038 [0.0015] MIN THICK  
EXTERIOR AND INTERIOR COPPER  
PLATED STEEL SUCTION FITTING

BRAZED OPTION

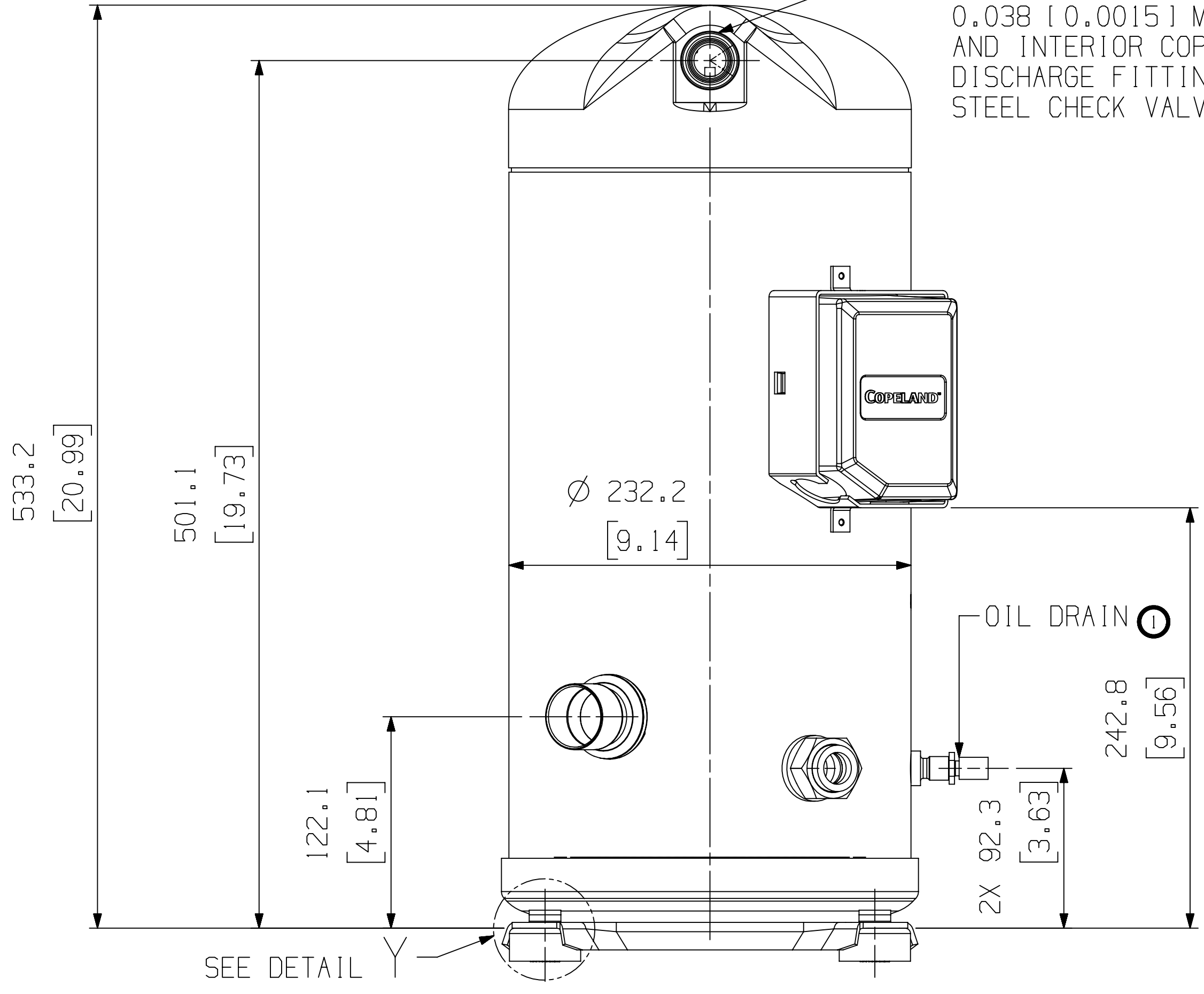
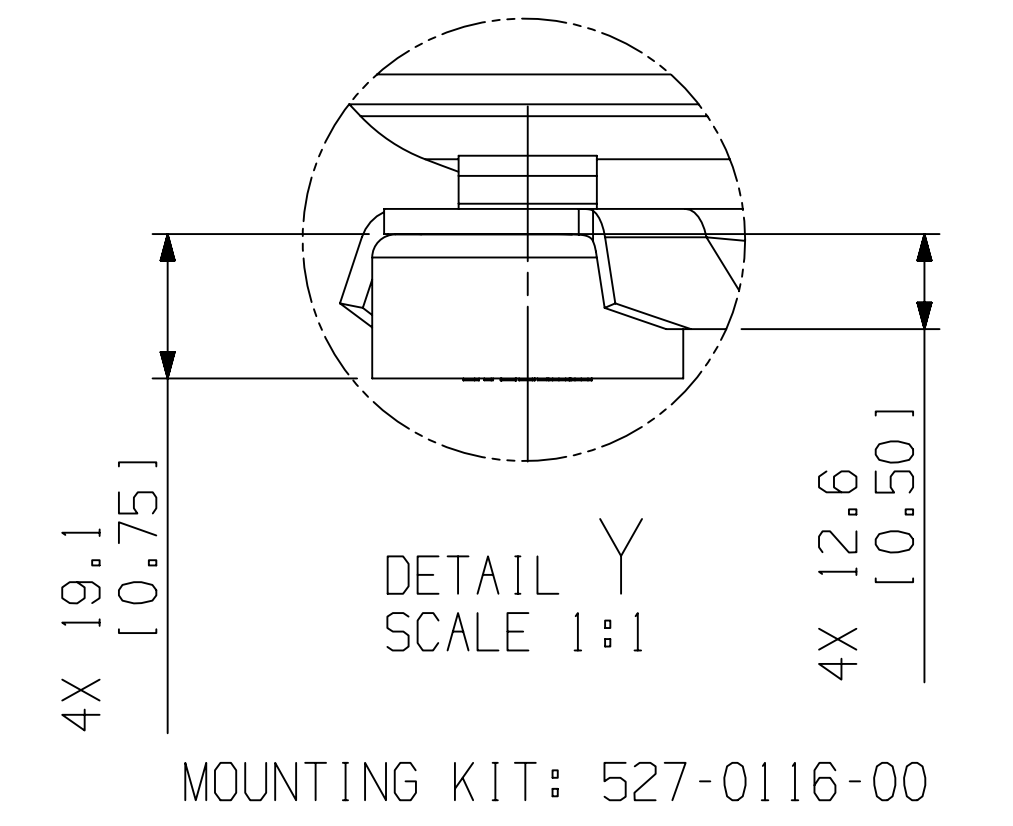
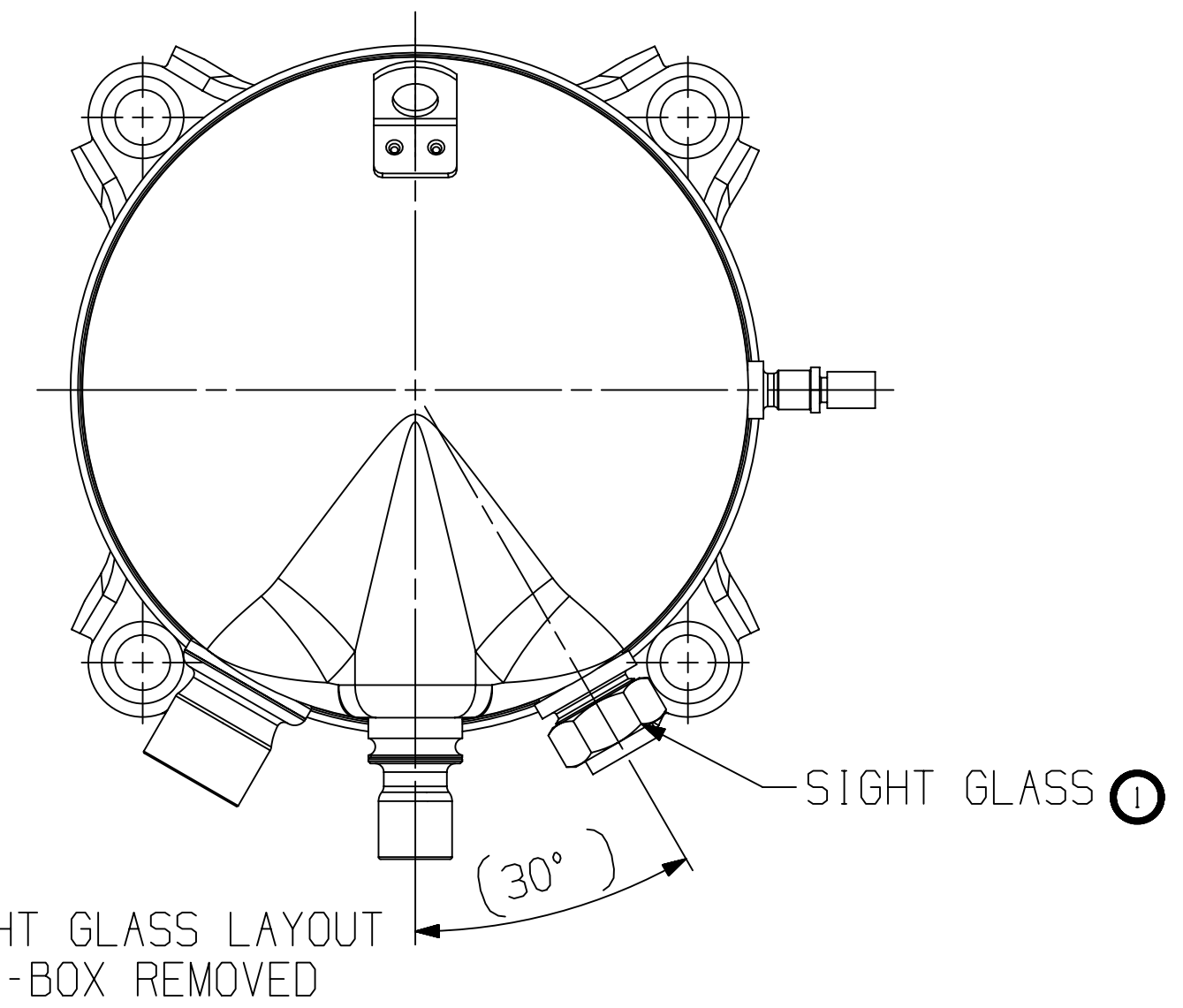
Ø 22.30-22.42 [0.878-0.883] ID  
▽ 20.0 [0.79] MIN.  
0.038 [0.0015] MIN. THICK EXTERIOR  
AND INTERIOR COPPER PLATED  
DISCHARGE FITTING/  
STEEL CHECK VALVE



ROTALOCK OPTION



SECTION A - A  
SCALE 3:4  
ROTATED 40° CW



**EMERSON**  
**Copeland**

INTERPRET PER ASME  
Y14.5M-1994 AND  
EMERSON DESIGN  
STANDARDS DS2002

DO NOT SCALE DRAWING

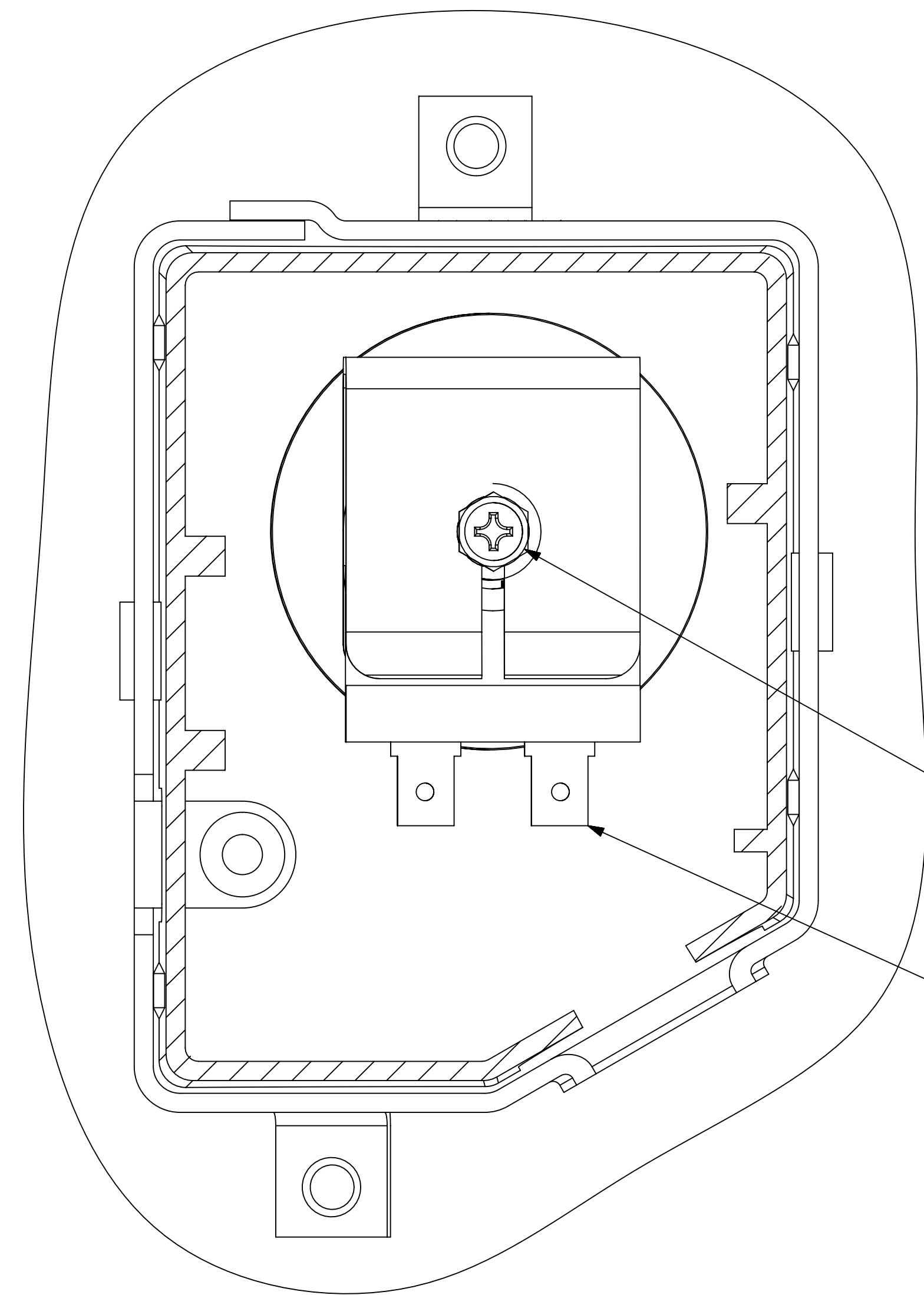
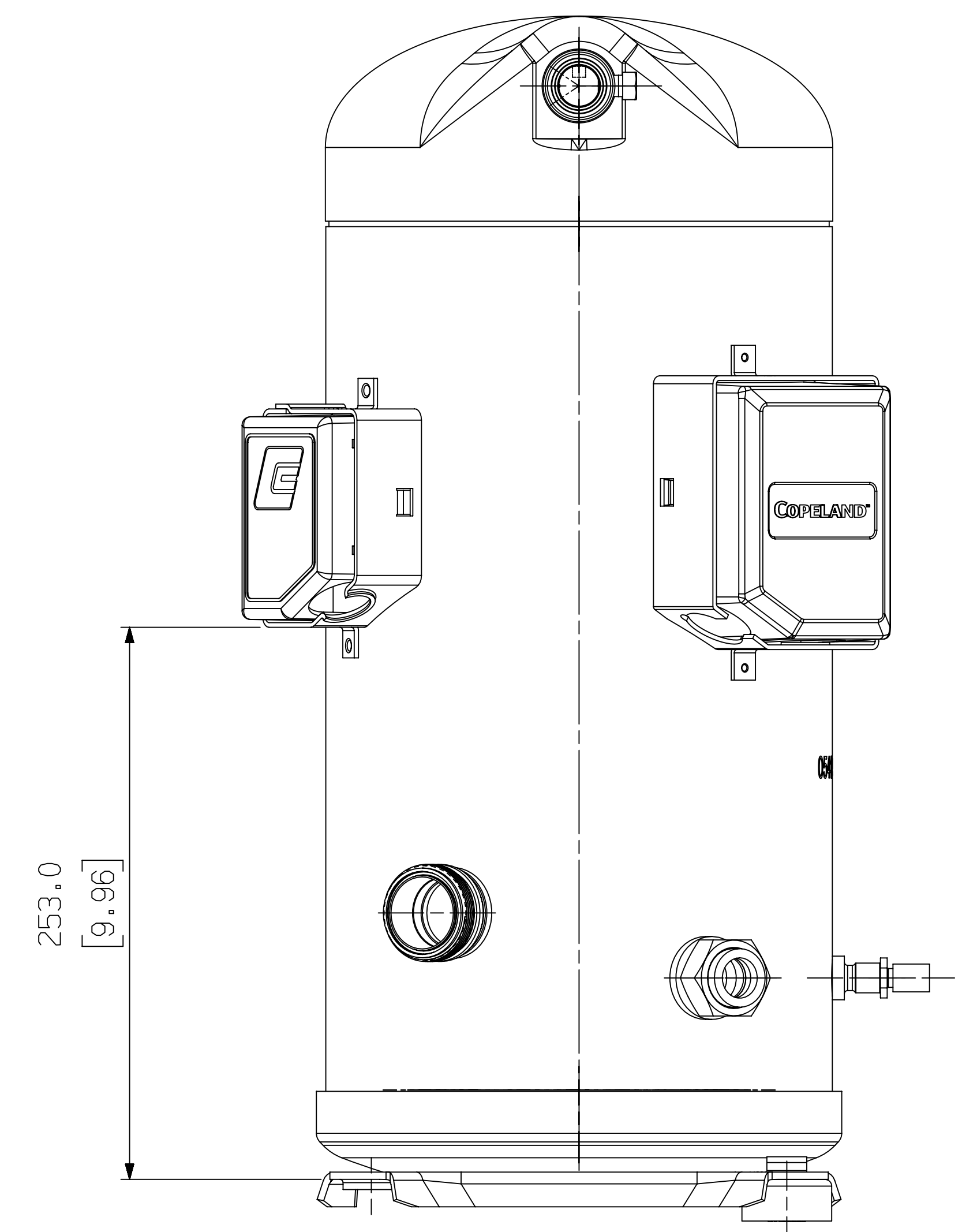
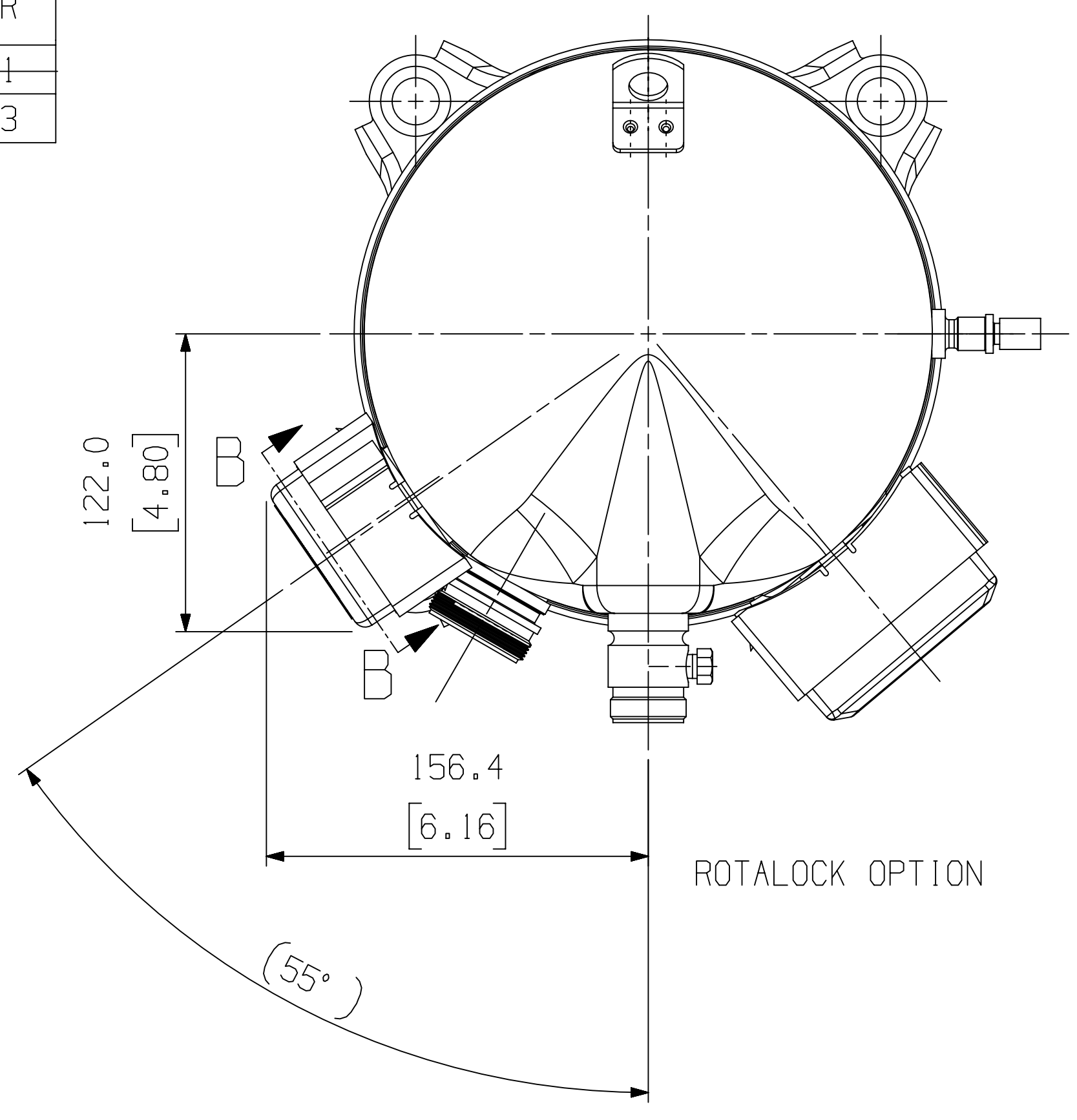
CRITICAL PRODUCT CHARACTERISTICS

UNLESS OTHERWISE SPECIFIED  
DIMENSIONS ARE MILLIMETER OR ( INCH )

TOLERANCES:  
1-PLACE +  
2-PLACE +  
ANGULAR ±

ECN307567	2	OBsolete -01	07-15-20	VVP	AMN
ECN307567	1	VARIOUS CHANGES	04-07-20	VVP	AMN
ECN307567	0	RELEASED	09-17-19	VVP	AMN
ENG NOTICE NO.	REV. NO.	REVISIONS	DATE	BY	CHKD
15		CONFIDENTIALITY NOTICE			
THIS DRAWING AND INFORMATION CONTAINED HEREIN ARE THE EXCLUSIVE PROPERTY OF EMERSON CLIMATE TECHNOLOGIES, INC AND/OR ITS AFFILIATES (COLLECTIVELY "EMERSON") AND SHALL BE RETURNED UPON DEMAND AND SHALL NOT BE REPRODUCED IN WHOLE OR IN PART, DISCLOSED TO ANYONE ELSE OR USED, WITHOUT THE WRITTEN CONSENT OF EMERSON.					
MATERIAL SPECIFICATION		DRAWN BY	SUPERSEDES DWG NO /	REV NO	
N/A		VVP	-	-	
TITLE		DATE	SCALE	DATE FORMAT:	
REF DWG-COPE COMP ASSM		09-17-19	3:7	MM-DD-YY	
DRAWING NUMBER			SHEET 2 OF 3 DWG		
497-3348-00			4		
			SIZE		

PART NUMBER
497-3348-01
497-3348-03



SECTION B-B  
SCALE 2:1  
ROTATED 55° CCW  
DIGITAL MANIFOLD OPTION

- SCREW-HEX 4 5 ①
- COIL-HOLDING 5 ①



INTERPRET PER ASME  
Y14.5M-1994 AND  
EMERSON DESIGN  
STANDARDS DS2002

DO NOT SCALE DRAWING

CRITICAL PRODUCT CHARACTERISTICS

UNLESS OTHERWISE SPECIFIED  
DIMENSIONS ARE MILLIMETER OR ( INCH )

TOLERANCES:  
1-PLACE +  
2-PLACE ±  
ANGULAR ±

ECN307567	2	OBSOLETE -01	07-15-20	VVP	AMN
ECN307567	1	VARIOUS CHANGES	04-07-20	VVP	AMN
ECN307567	0	RELEASED	09-17-19	VVP	AMN
ENG NOTICE NO.	REV. NO.	REVISIONS	DATE	BY	CHKD
15		CONFIDENTIALITY NOTICE			
THIS DRAWING AND INFORMATION CONTAINED HEREIN ARE THE EXCLUSIVE PROPERTY OF EMERSON CLIMATE TECHNOLOGIES, INC AND/OR ITS AFFILIATES (COLLECTIVELY "EMERSON") AND SHALL BE RETURNED UPON DEMAND AND SHALL NOT BE REPRODUCED IN WHOLE OR IN PART, DISCLOSED TO ANYONE ELSE OR USED, WITHOUT THE WRITTEN CONSENT OF EMERSON.					
MATERIAL SPECIFICATION		DRAWN BY	SUPERSEDES DWG NO / REV NO		
N/A		VVP	- / -		
		DATE	SCALE	DATE FORMAT:	
		09-17-19	1:2	MM-DD-YY	
TITLE			DRAWING NUMBER	SHEET 3 OF 3 DWG	
REF DWG-COPE COMP ASSM			497-3348-00	4	
			SIZE		