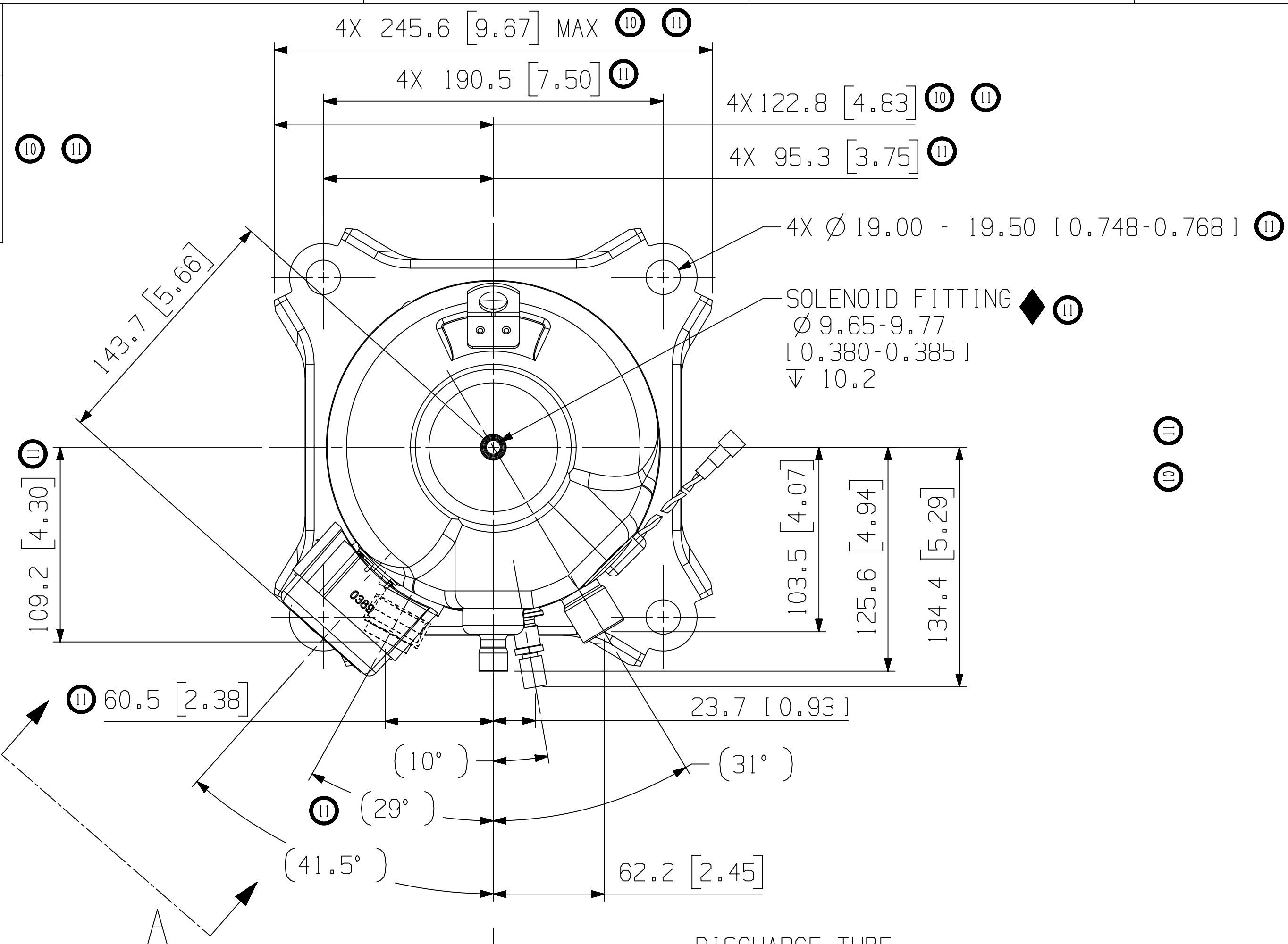


MODEL NUMBER
ZBD30KC-TFD/TF5/TF7
ZBD30KCE-TFD/TF5/TFE
ZBD30KCL-TFD-250
ZBD45KC-TFD/TF5-
ZBD45KCE-TFD/TF5/TFE/TF7
ZBD38KCE-PFV-250



MOTOR TYPE	Ø K PIN CIRCLE
TF5 PFV	13.46 [0.530]
TFD TF7 TFE	17.45 [0.687]

SPECIFICATIONS	
ES NO.	DESCRIPTION
ES92-155	CONVERSION-METRIC

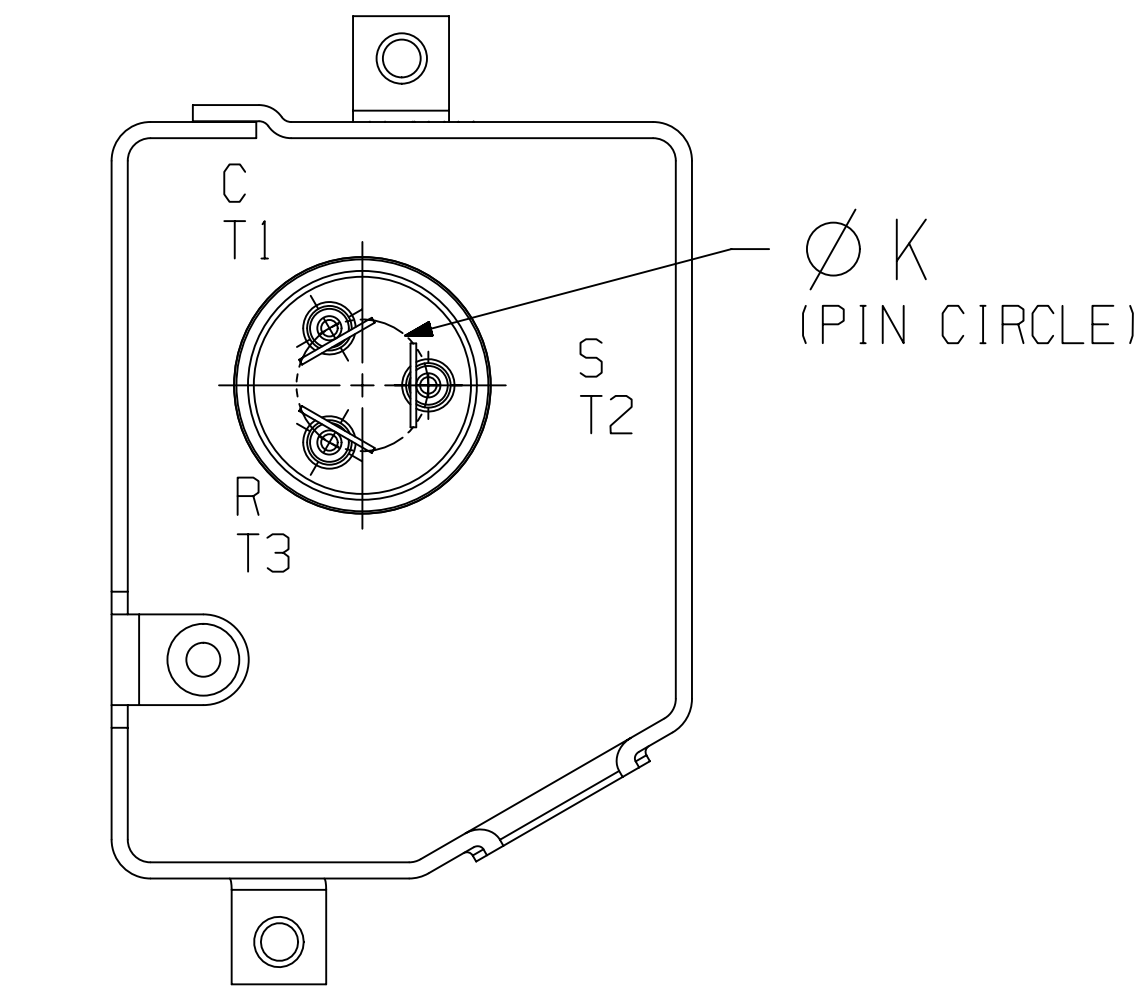
NOTES:

1. ALL TOLERANCES ± 1.50 [0.060] UNLESS OTHERWISE SPECIFIED.

DUE TO ACCUMULATED ASSEMBLY TOLERANCES THE LISTED COMPONENTS MAY VARY FROM THE MOUNTING HOLES AS SHOWN BELOW:

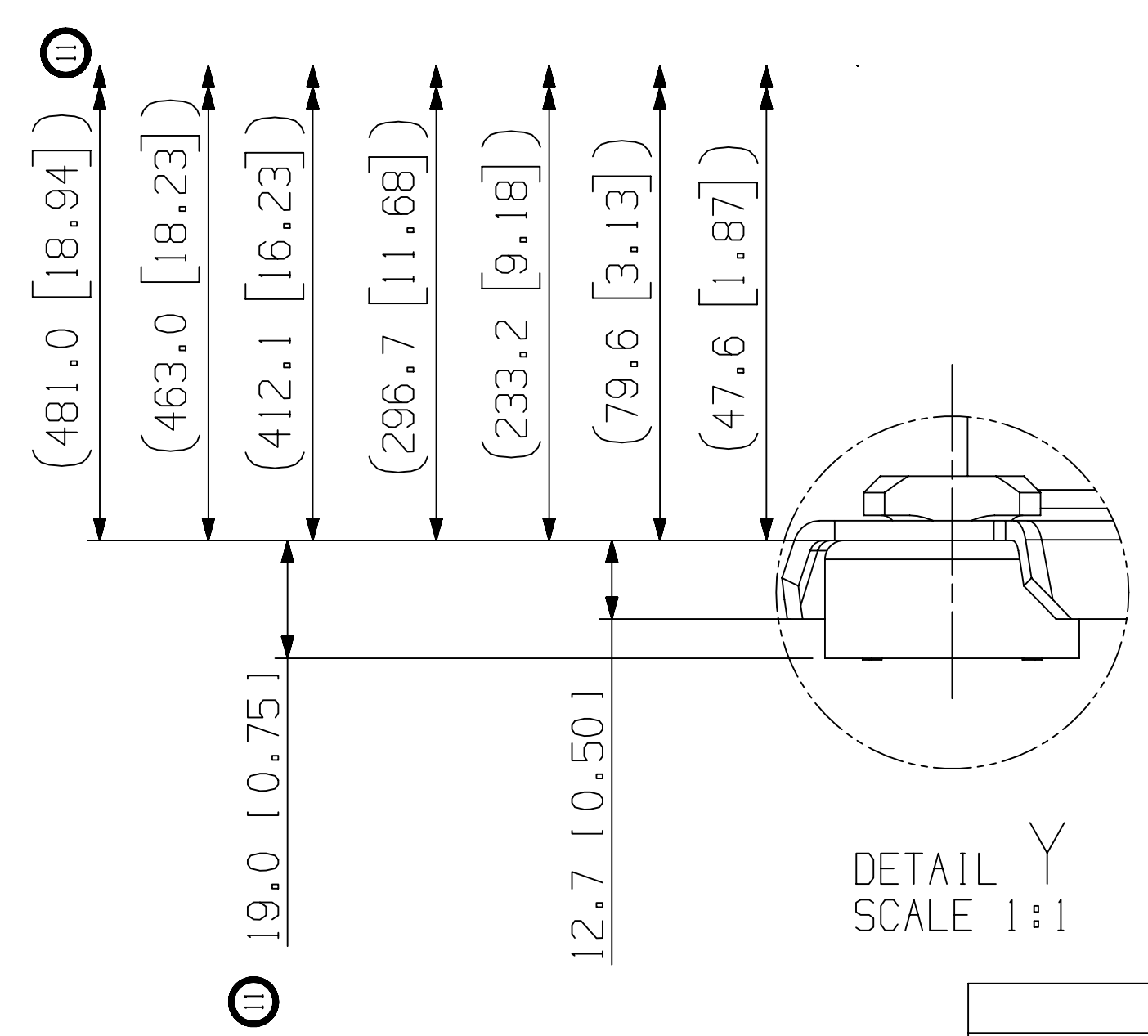
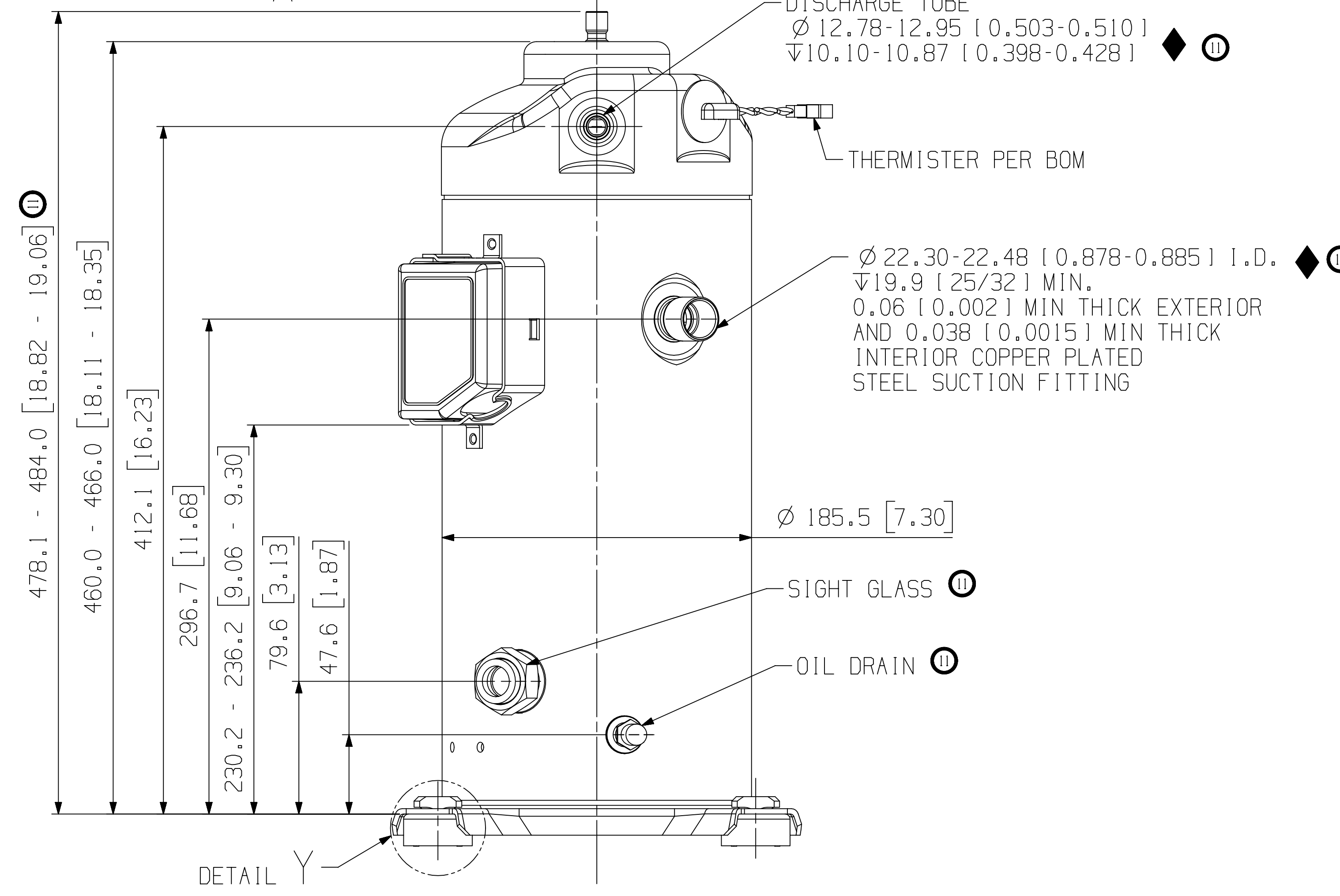
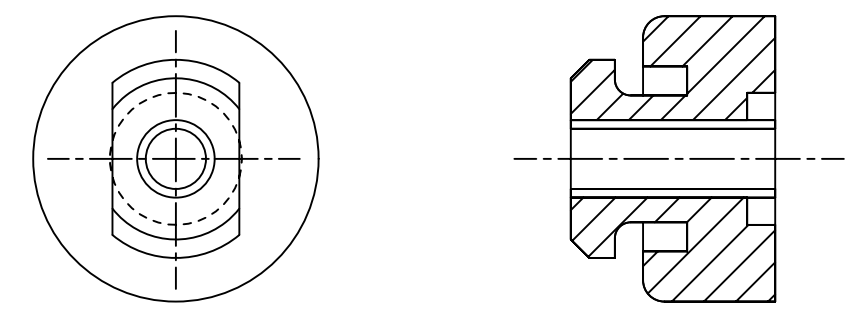
- ◆ ALL FITTINGS : ± 3.0 [0.121]
- 2. TUBE ENDS MUST BE PLUGGED.
- 3. MOUNTING KIT:

GROMMET DUROMETER	4 FOOT KIT
35-45	527-0116-00



TERMINAL BOX LAYOUT OPTIONS
TERMINAL BOX COVER NOT SHOWN

VIEW A-A
SCALE 1:1



USE COPPER CONDUCTORS ONLY. USE MINIMUM 75° C WIRE FOR AMPACITY DETERMINATION. INTERNAL MOTOR PROTECTION - ALLOW TIME FOR RESET. OVERCURRENT PROTECTION DEVICE RATING AND TYPE MUST BE IN ACCORDANCE WITH REGULATORY AGENCY END PRODUCT APPROVALS-SEE SYSTEM NAMEPLATE. CRANKCASE HEATER, WHEN APPLIED, MUST BE CONNECTED ONLY TO ITS RATED VOLTAGE. TO CORRECT IMPROPER ROTATION OF THREE PHASE MODELS, SWITCH ANY TWO SUPPLY LINES. REFER TO THE APPLICABLE SYSTEM WIRING DIAGRAM.

005-1213-00

8-06

ECN300410	11	UPDATED MODEL NUMBERS	05-09-17	OSP	PR1	DC
ECN008762	10	REDRAWN WITH CHANGES	10-08-14	PR1	DC	ZJ
32-1099-064	0	RELEASED	03-20-00	PMM	CHK	TD
ENG NOTICE NO.	REV.NO.	REVISIONS	DATE	BY	CHKD	APPR
CONFIDENTIALITY NOTICE						
THIS DRAWING AND INFORMATION CONTAINED HEREIN ARE THE EXCLUSIVE PROPERTY OF EMERSON CLIMATE TECHNOLOGIES, INC. AND SHALL BE RETURNED UPON DEMAND AND SHALL NOT BE REPRODUCED IN WHOLE OR IN PART DISCLOSED TO ANYONE ELSE OR USED, WITHOUT THE WRITTEN CONSENT OF EMERSON CLIMATE TECHNOLOGIES, INC.						
MATERIAL SPECIFICATION			DRAWN BY		SUPERSEDES DWG. NO. / REV. NO.	
N/A			PR1		497-0306-00/009	
			DATE		SCALE	
			10-08-14		1:2	
			DATE FORMAT:		MM-DD-YY	
TITLE			DRAWING NUMBER		SHEET 1 OF 1	
REF DWG-WELD COMP ASSM			497-0306-00		4	
					SIZE	

EMERSON
Climate Technologies

Copeland
brand products

INTERPRET PER ASME Y14.5M-1994 AND EMERSON CLIMATE TECHNOLOGIES, INC. DESIGN STANDARDS DS2002

DO NOT SCALE DRAWING

THIRD ANGLE PROJECTION

CRITICAL PRODUCT CHARACTERISTICS

UNLESS OTHERWISE SPECIFIED DIMENSIONS ARE MILLIMETER OR (1 INCH)

TOLERANCES:
1-PLACE ±
2-PLACE ±
ANGULAR ±