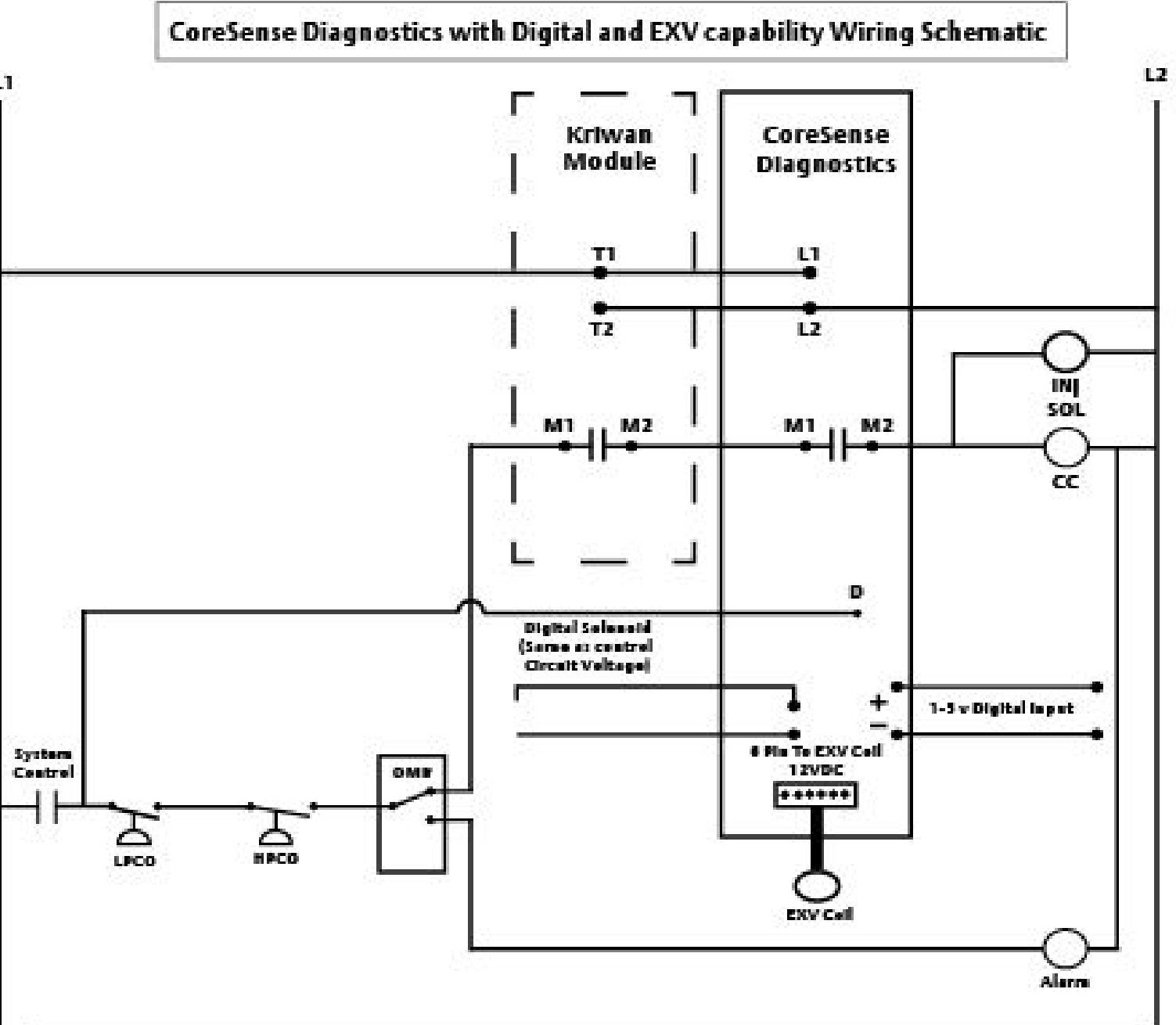
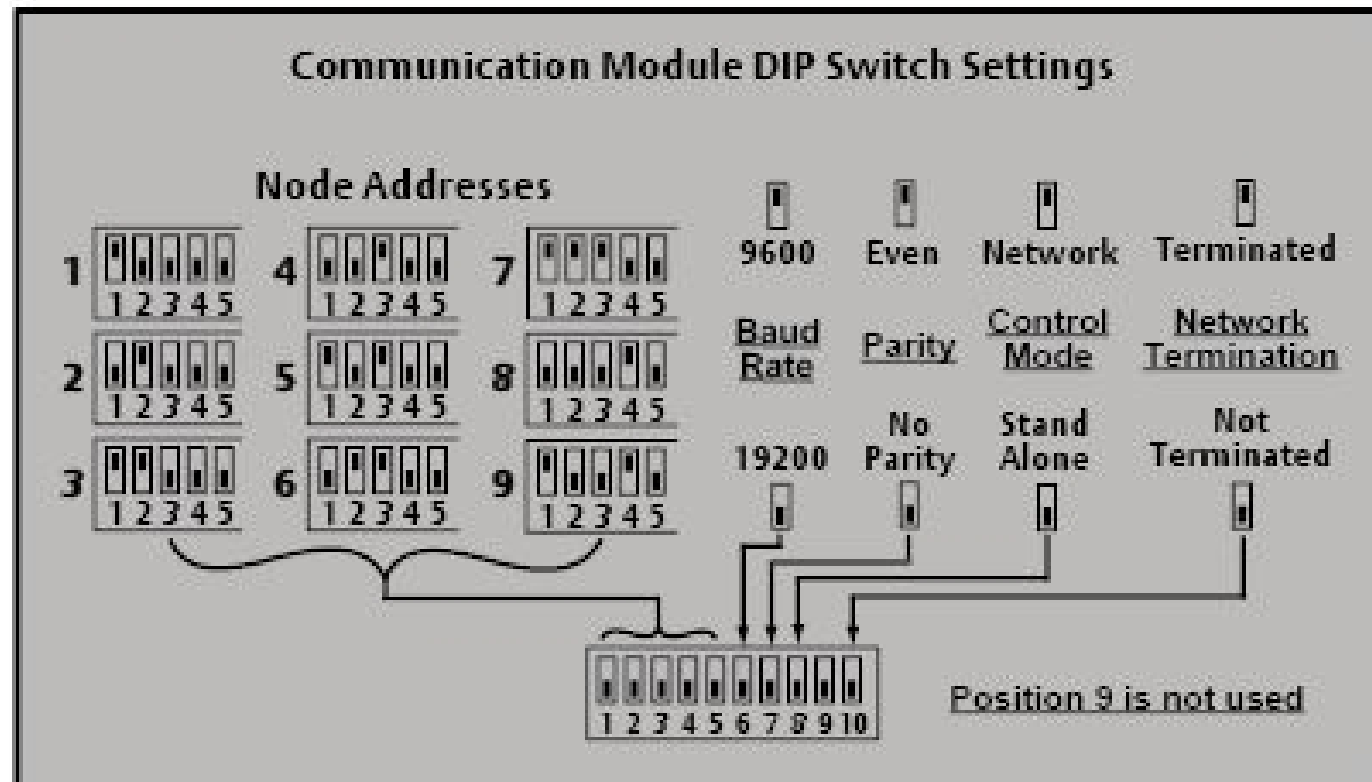
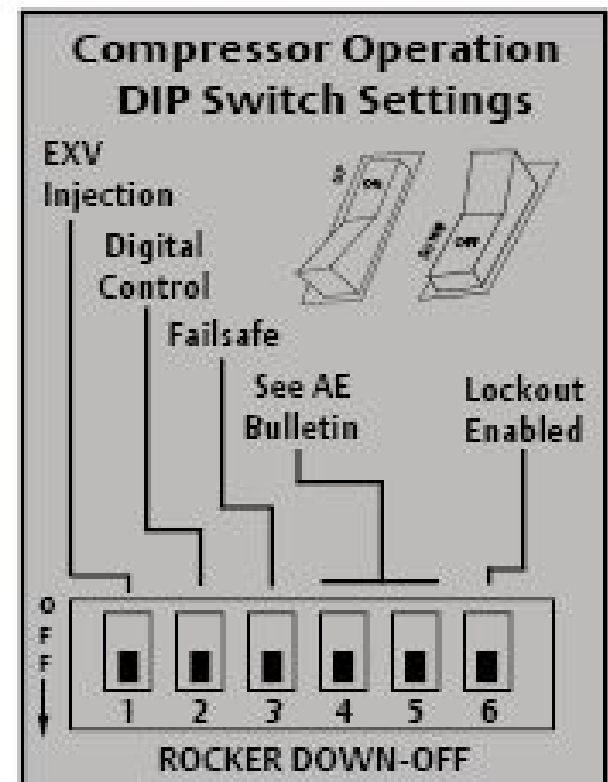
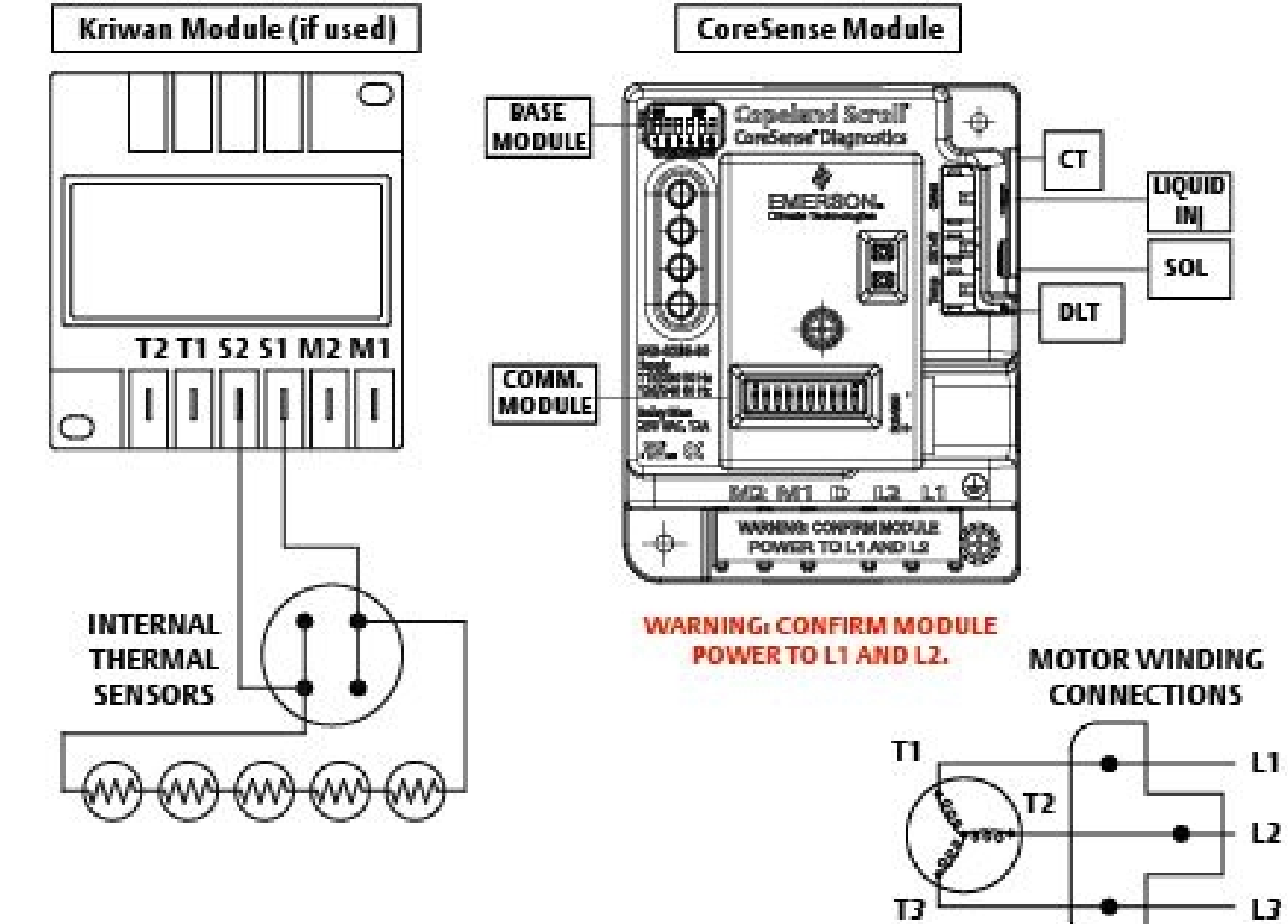


PART NUMBER	MODEL NUMBER	A	B	C	D	E	F	G	SHEET
497-3193-00	ZF34/41K5E	533.6 [21.01]	501.8 [19.76]	393.3 [15.48]	277.3 [10.92]	OMIT	140.3 [5.53]	93.0 [3.66]	SHEET 2
497-3193-01	ZFD41K5E	533.6 [21.01]	501.8 [19.76]	393.3 [15.48]	277.3 [10.92]	273.7 [10.77]	140.3 [5.53]	93.0 [3.66]	SHEET 2, 3
497-3193-02	ZF49/54K5E	551.5 [21.71]	519.5 [20.45]	411.0 [16.18]	295.0 [11.61]	OMIT	158.0 [6.22]	92.6 [3.64]	SHEET 2
497-3193-03	ZB58/66/76K5E	533.6 [21.01]	501.8 [19.76]	OMIT	277.3 [10.92]	OMIT	140.3 [5.53]	93.0 [3.66]	SHEET 2
497-3193-04	ZBD76K5E	533.6 [21.01]	501.8 [19.76]	OMIT	277.3 [10.92]	273.7 [10.77]	140.3 [5.53]	93.0 [3.66]	SHEET 2, 3
497-3193-05	ZB95/114K5E	551.5 [21.71]	519.5 [20.45]	OMIT	295.0 [11.61]	OMIT	158.0 [6.22]	92.6 [3.64]	SHEET 2
497-3193-06	ZBD114K5E	551.5 [21.71]	519.5 [20.45]	OMIT	295.0 [11.61]	291.3 [11.46]	158.0 [6.22]	92.6 [3.64]	SHEET 2, 3

SPECIFICATIONS	
ES NO.	DESCRIPTION
ES92-155	CONVERSION-METRIC



Notes: If Kriwan module is used, wire in series with CoreSense Module, as indicated in diagram. If Kriwan module is not used, wire M1 directly from Safety Circuit to M1 on CoreSense & M2 from Contactor Coil to M2 on CoreSense. The Physical Location of M1/M2 & L1/L2 have changed on the CoreSense Module.



USE COPPER 75°C CONDUCTORS ONLY
USE THIS EQUIPMENT ON A GROUNDED SYSTEM ONLY.
PRIMARY SINGLE PHASE FAILURE PROTECTION IS PROVIDED.
PROTECTION MODULES AND OPTIONAL CRANKCASE HEATER MUST BE CONNECTED ONLY TO THEIR RATED VOLTAGE.
OVERCURRENT PROTECTION DEVICE RATING AND TYPE MUST BE IN ACCORDANCE WITH REGULATION AND PRODUCT APPROVALS - SEE SYSTEM NAMEPLATE

Alert Code	Code Description	Protection Shutdown (Default)	Protection Off Time (Default)	Consecutive Detections Until Lockout
Lockout Feature is NOT enabled from the factory except on code 7				
1	High Discharge Temp See Diagram For Setting	Yes	20 Min.	4
2	Excess System Limit Trips - 4 Consecutive System Limit Trips Having 1-15 Min Runtime Each	Yes	5 Min.	No Lockout
3	Excessive Demand Cycling - Default is 240 Cycles Per 24 Hr Period	No	-	-
4	Locked Rotor - Compressor Did Not Start Within Allotted Time	Yes	20 Min.	4
5	Demand Present - No Current Detected Over 4 Hr Period	No	-	-
6	Phase Loss Detected	Yes	20 Min.	10
7	Reversed Phase Detected	Yes	Until Module Is Reset	1
8	Welded Contactor - Current Detected Without Demand ¹	No	-	-
9	Low Module Voltage	Yes	5 Min.	No Lockout
10	Module Communications Error	No	-	-
11	Discharge Temperature Sensor Error	No	-	-
12	Current Transducer Error	No	-	-

Digital Alert Codes
1 Loss Of Analog Demand - Check Analog Voltage
2 Network Mode ON, 1-5V Input Present - Check Position Of DIP Switch #8
3 Network Mode OFF, Receiving Modbus Communication - Check Position Of DIP Switch #8

Lockouts Can Be Enabled By DIP Switch 6 Setting
¹ Code 8 Displays For 24 Hours After Last Detection
The M1-M2 relay only opens during a protection shutdown. To reset module, cycle module power.
Module must be reset for DIP switch changes to take effect.
For Technical Support Call 1-888-367-9950 or visit www.emersonclimate.com
Refer To AE4-1383 For More Details

- NOTES:
- ALL TOLERANCES ± 1.5 [0.06] UNLESS OTHERWISE SPECIFIED. DUE TO ACCUMULATED ASSEMBLY TOLERANCES THE LISTED COMPONENTS MAY VARY FROM THE MOUNTING HOLES AS TABULATED.
 - SUCTION FITTING: ± 3.0 [0.12]
 - DISCHARGE FITTING: ± 3.0 [0.12]
 - TUBE ENDS MUST BE PLUGGED.
 - GROUNDING NUT. TORQUE: 3.6-4.4 NM [32-39 IN-LBS].
 - TORQUE: 1.0-1.2 NM [9-11 IN-LBS].
 - TORQUE: 2.4-2.8 NM [21-25 IN-LBS].
 - TORQUE: 2.5-3.1 NM [22-27 IN-LBS].
 - PARTS PURCHASED & INSTALLED BY CUSTOMER PER KIT PART NUMBERS. CONTACT APPLICATION ENGINEER FOR PART/KIT NUMBERS.

ECN	REV.	DESCRIPTION	DATE	BY	CHKD
ECN318003	5	REDRAWN AND CHANGE TORQUE IN NOTE 5	05-21-21	SAL	AMN
ECN307567	0	RELEASED	12-10-18	VVP	AMN

ENG NOTICE NO.	REV. NO.	REVISIONS	DATE	BY	CHKD
15		CONFIDENTIALITY NOTICE			

THIS DRAWING AND INFORMATION CONTAINED HEREIN ARE THE EXCLUSIVE PROPERTY OF EMERSON CLIMATE TECHNOLOGIES, INC AND/OR ITS AFFILIATES (COLLECTIVELY "EMERSON") AND SHALL BE RETURNED UPON DEMAND AND SHALL NOT BE REPRODUCED IN WHOLE OR IN PART, DISCLOSED TO ANYONE ELSE OR USED, WITHOUT THE WRITTEN CONSENT OF EMERSON.

MATERIAL SPECIFICATION	DRAWN BY	SUPERSEDES DWG NO / REV NO
N/A	SAL	497-3193-00 / 004

DATE	SCALE	DATE FORMAT:
05-21-21	1:1	MM-DD-YY

TITLE	DRAWING NUMBER	SHEET 1 OF 3 DWG
REF DWG-COPE COMP ASSM	497-3193-00	4

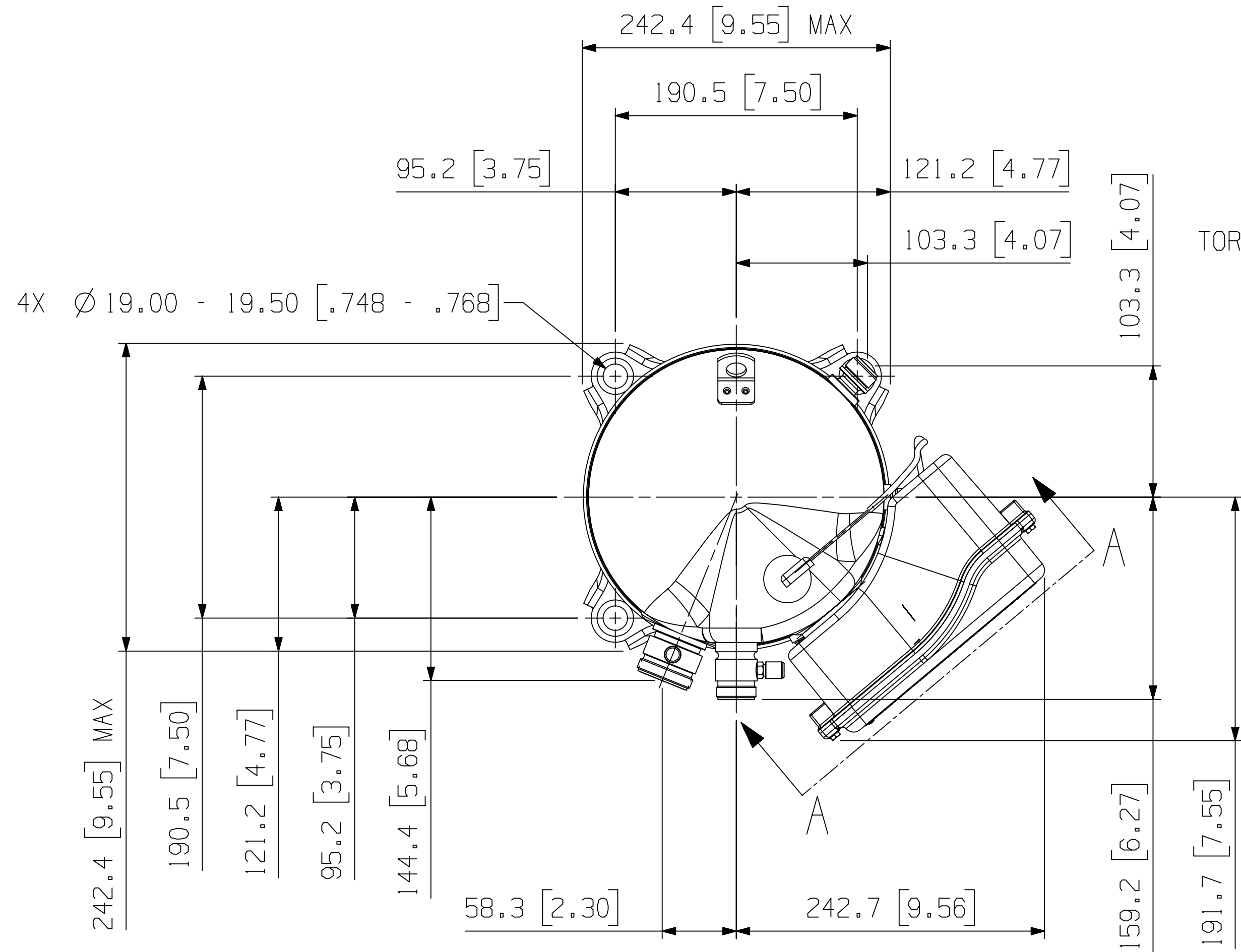
INTERPRET PER ASME Y14.5M-1994 AND EMERSON DESIGN STANDARDS DS2002
DO NOT SCALE DRAWING

CRITICAL PRODUCT CHARACTERISTICS

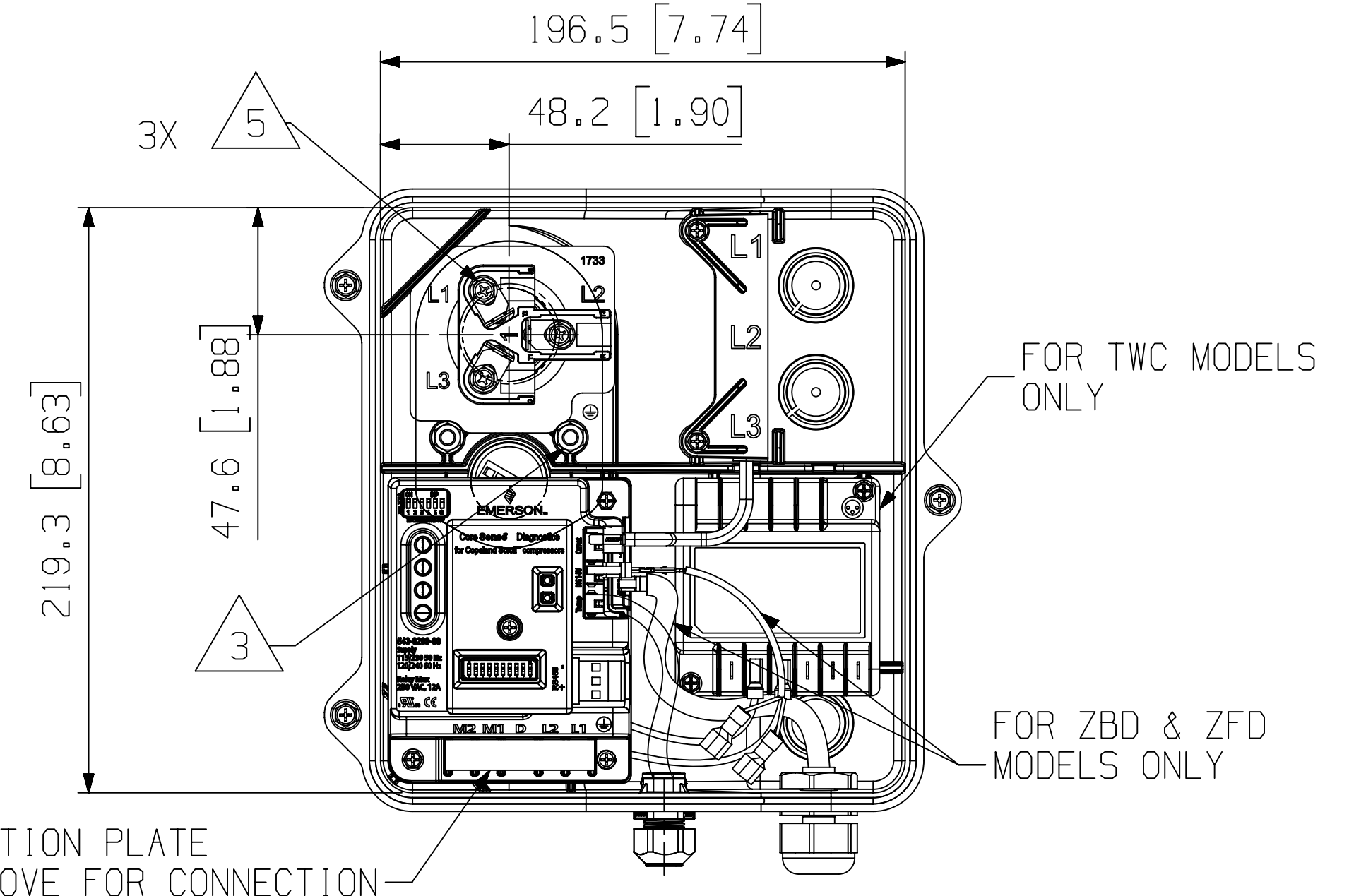
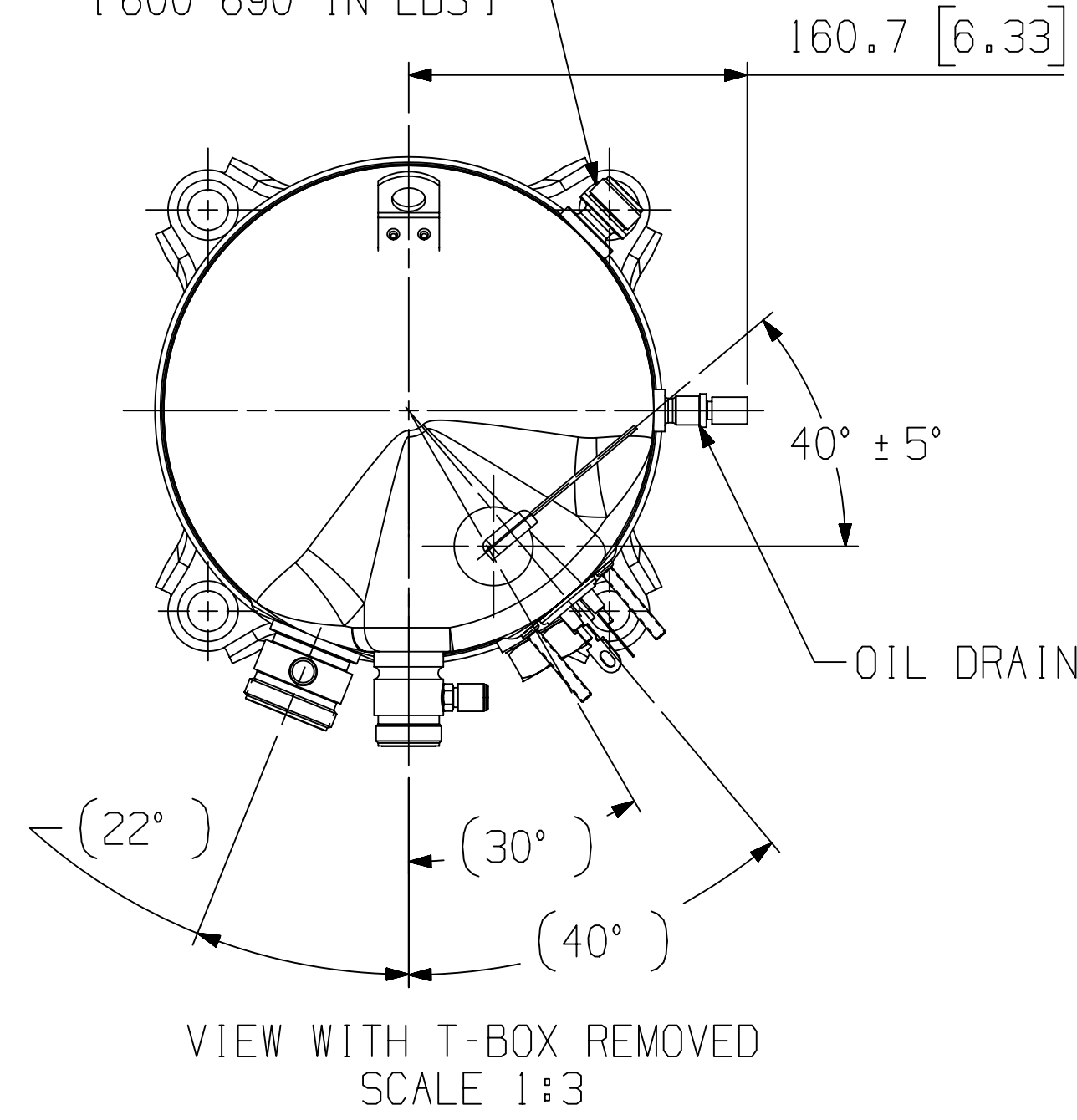
UNLESS OTHERWISE SPECIFIED DIMENSIONS ARE MILLIMETER OR (INCH)
TOLERANCES:
1-PLACE ±
2-PLACE ±
ANGULAR ±

052-3149-00 Rev. 0

© COPYRIGHT EMERSON - CONFIDENTIAL



◆ [1.00-14] THREAD ROTALOCK
EVI FITTING
TORQUE RANGE 68-78 NEWTON-METERS
(600-690 IN-LBS)

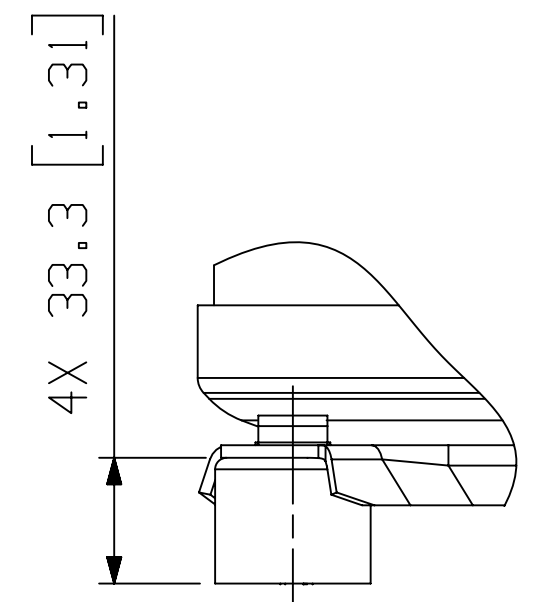


CAUTION PLATE
REMOVE FOR CONNECTION

FOR TWC MODELS
ONLY

FOR ZBD & ZFD
MODELS ONLY

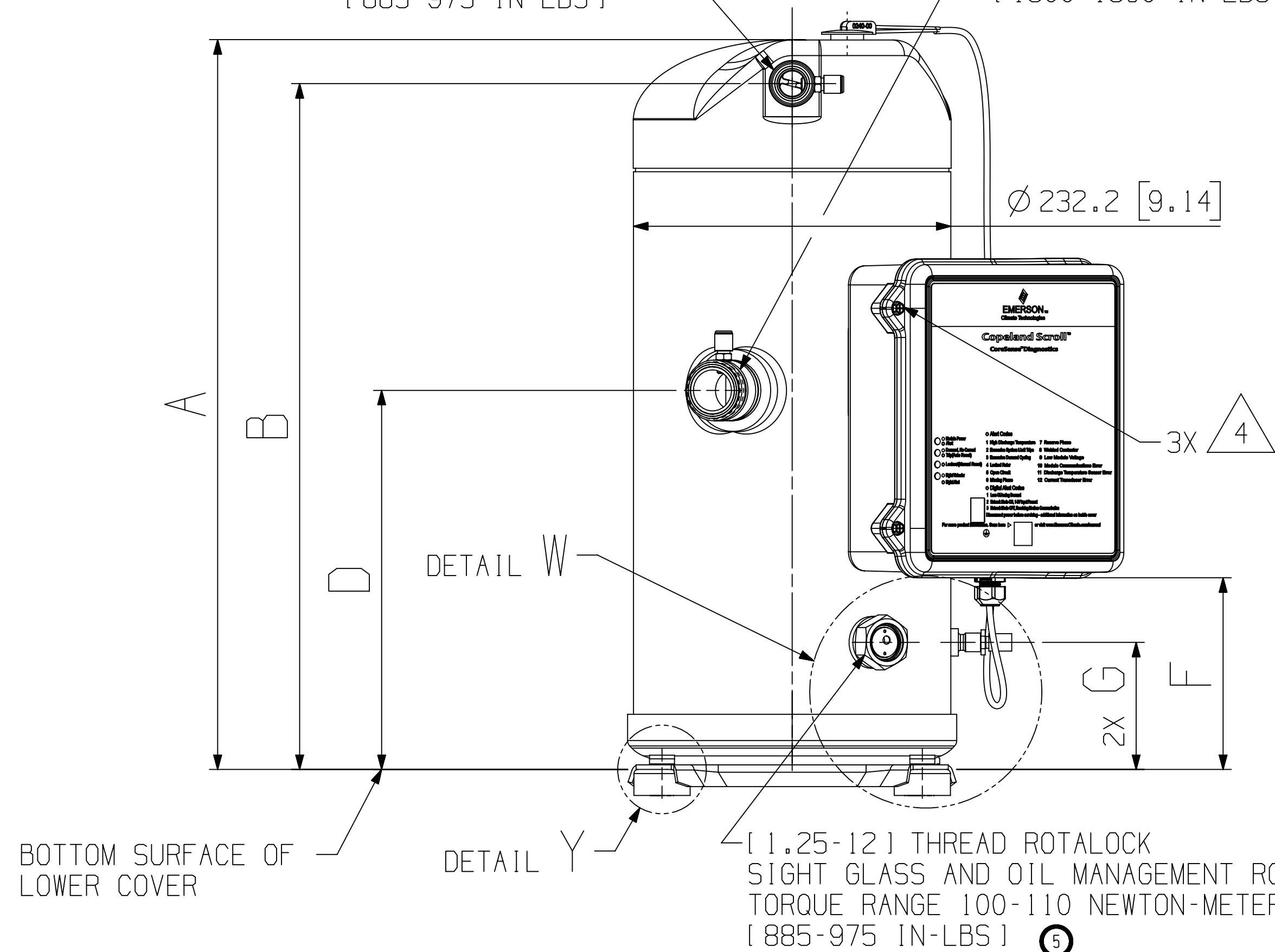
Ø 9.60-9.78 ID
[Ø 0.378-0.385]
▽ 9.0 [0.35] MIN
M9 X 1.25-6G THRU
0.06 [0.002] MIN THICK EXTERIOR AND
0.038 [0.0015] MIN THICK INTERIOR
COPPER PLATED STEEL OIL LEVEL FITTING.
THREADS TO BE FREE OF COPPER PLATING.



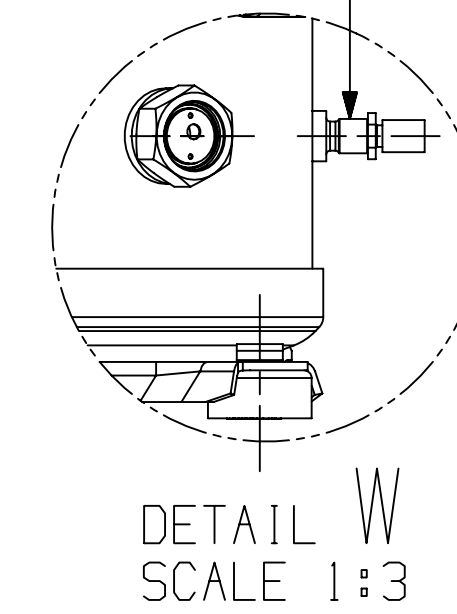
DETAIL Y
SCALE 1:2
MOUNTING KIT: 527-0273-00
FOR ZF49/54K5E, ZB95/114K5E,
ZBD114K5E

◆ [1.25-12] THREAD ROTALOCK
DISCHARGE CHECK VALVE
TORQUE RANGE 100-110 NEWTON-METERS
(885-975 IN-LBS)

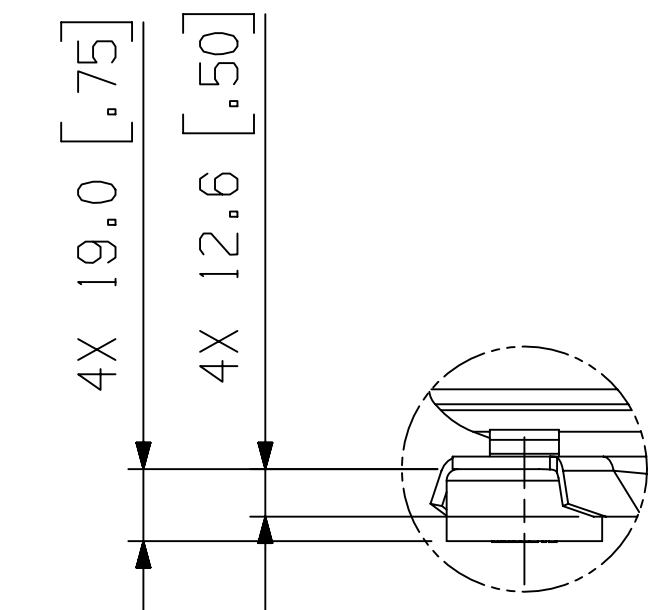
◆ [1.75-12] THREAD ROTALOCK
SUCTION FITTING
TORQUE RANGE 170-180 NEWTON-METERS
(1500-1590 IN-LBS)



◆ [1.25-12] THREAD ROTALOCK
SIGHT GLASS AND OIL MANAGEMENT ROTALOCK ADAPTER
TORQUE RANGE 100-110 NEWTON-METERS
(885-975 IN-LBS) ⑤



DETAIL W
SCALE 1:3



DETAIL Y
SCALE 1:2
MOUNTING KIT: 527-0116-00
FOR ZF34/41K5E, ZFD41K5E,
ZB58/66/76K5E, ZBD76K5E



INTERPRET PER ASME
Y14.5M-1994 AND
EMERSON DESIGN
STANDARDS DS2002

DO NOT SCALE DRAWING

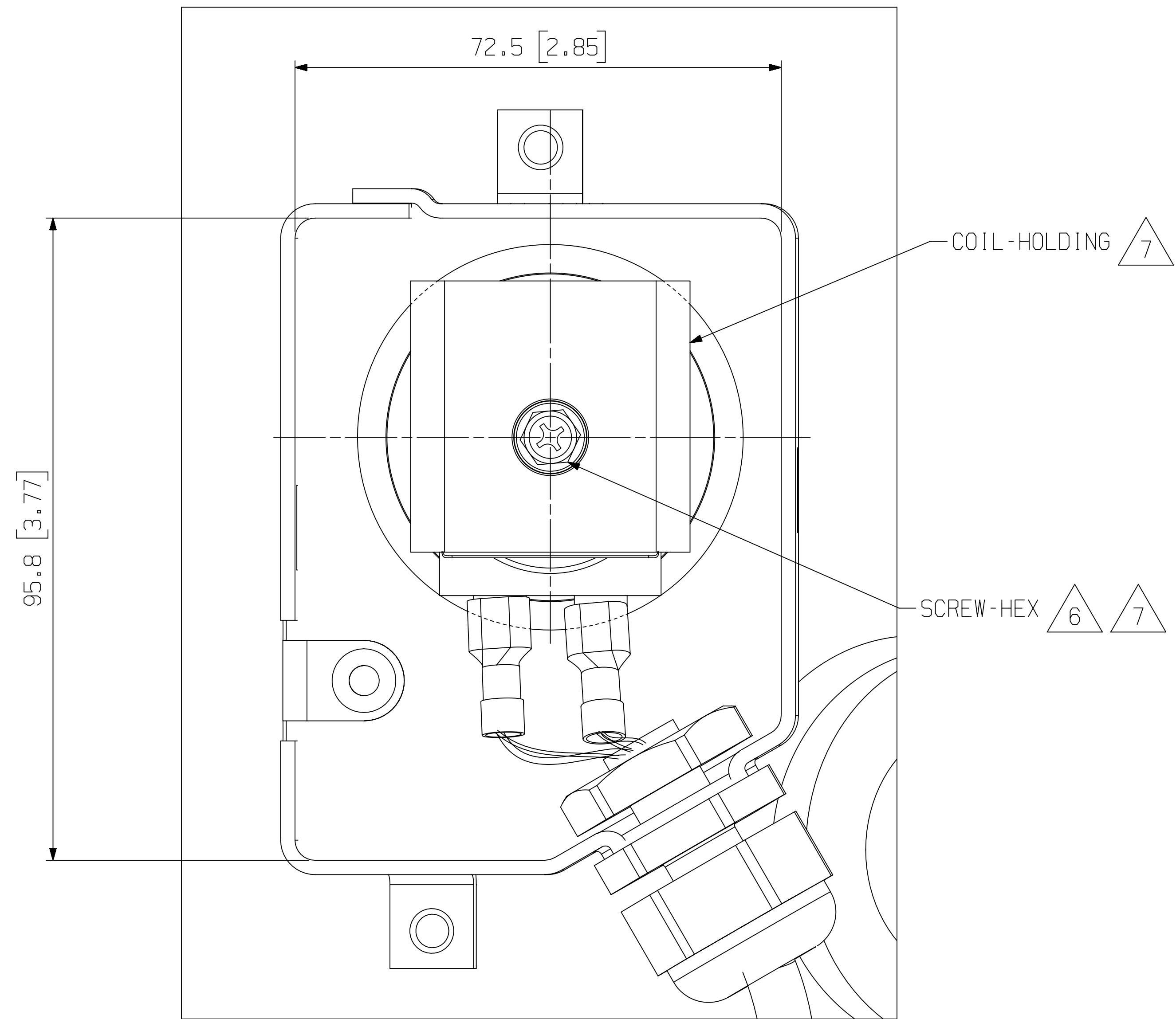
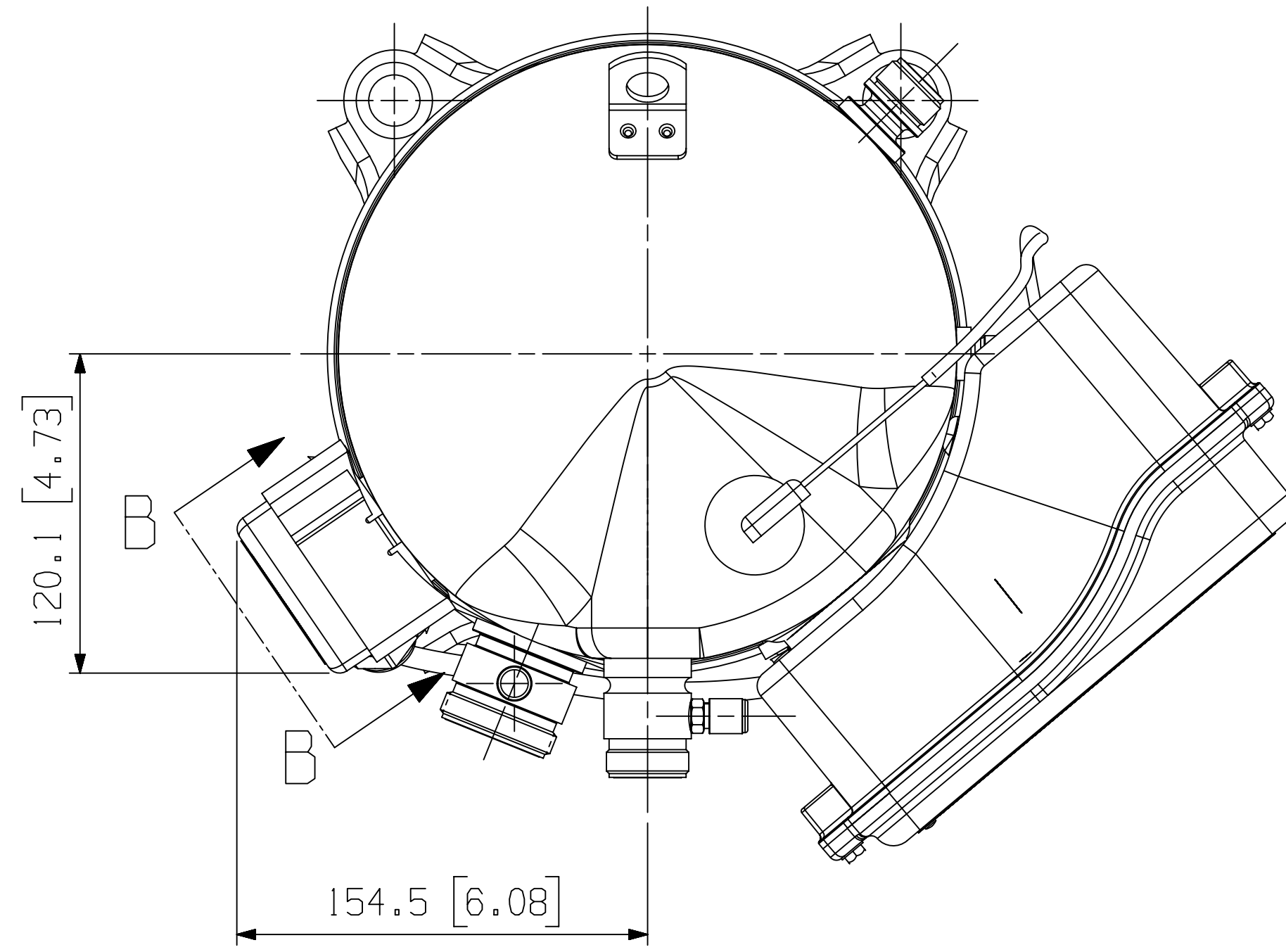
CRITICAL PRODUCT CHARACTERISTICS

UNLESS OTHERWISE SPECIFIED
DIMENSIONS ARE MILLIMETER OR (INCH)

TOLERANCES:
1-PLACE ±
2-PLACE ±
ANGULAR ±

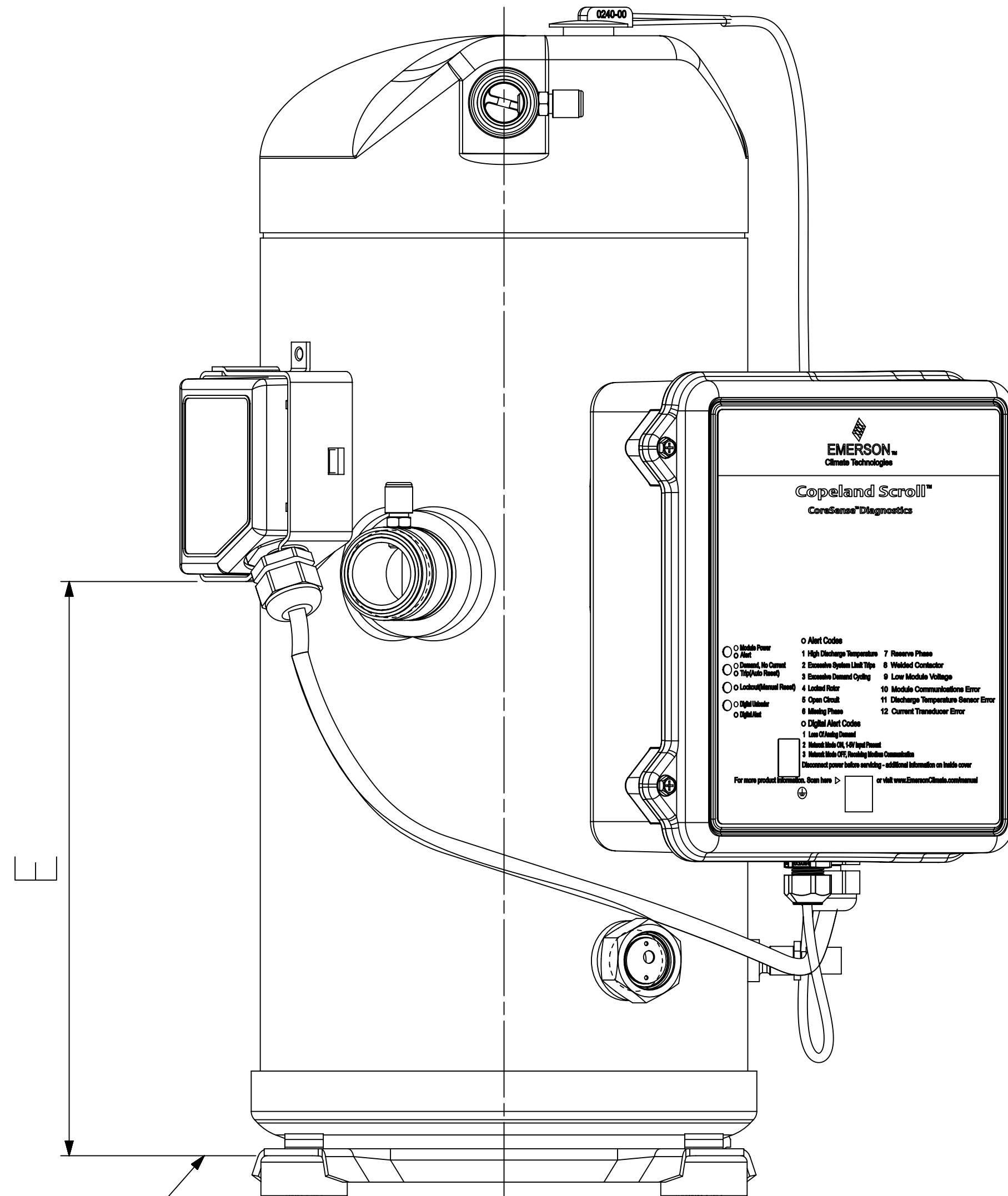
ECN318003	5	REDRAWN AND UPDATED SIGHT GLASS CALLOUT	05-21-21	SAL	AMN
ECN307567	0	RELEASED	12-10-18	VVP	AMN
ENG NOTICE NO.	REV. NO.	REVISIONS	DATE	BY	CHKD
15		CONFIDENTIALITY NOTICE			
THIS DRAWING AND INFORMATION CONTAINED HEREIN ARE THE EXCLUSIVE PROPERTY OF EMERSON CLIMATE TECHNOLOGIES, INC AND/OR ITS AFFILIATES (COLLECTIVELY "EMERSON") AND SHALL BE RETURNED UPON DEMAND AND SHALL NOT BE REPRODUCED IN WHOLE OR IN PART, DISCLOSED TO ANYONE ELSE OR USED, WITHOUT THE WRITTEN CONSENT OF EMERSON.					
MATERIAL SPECIFICATION		DRAWN BY	SUPERSEDES DWG NO /	REV NO	
N/A		SAL	497-3193-00 /	004	
		DATE	SCALE	DATE FORMAT:	
		05-21-21	1:3	MM-DD-YY	
TITLE			DRAWING NUMBER	SHEET 2 OF 3	DWG
REF DWG-COPE COMP ASSM			497-3193-00	4	SIZE

PART NUMBER
497-3193-01
497-3193-04
497-3193-06



SOLENOID VALVE T-BOX
(WITHOUT COVER)

SECTION B-B
SCALE 2:1



BOTTOM SURFACE OF LOWER COVER

EMERSON
Copeland

INTERPRET PER ASME Y14.5M-1994 AND EMERSON DESIGN STANDARDS DS2002

DO NOT SCALE DRAWING

CRITICAL PRODUCT CHARACTERISTICS

UNLESS OTHERWISE SPECIFIED DIMENSIONS ARE MILLIMETER OR (INCH)

TOLERANCES:
1-PLACE ±
2-PLACE ±
ANGULAR ±

ECN318003	5	SEE SHEET 1 & 2	05-21-21	SAL	AMN
ECN307567	0	RELEASED	12-10-18	VVP	AMN
ENG NOTICE NO.	REV. NO.	REVISIONS	DATE	BY	CHKD
15		CONFIDENTIALITY NOTICE			
THIS DRAWING AND INFORMATION CONTAINED HEREIN ARE THE EXCLUSIVE PROPERTY OF EMERSON CLIMATE TECHNOLOGIES, INC AND/OR ITS AFFILIATES (COLLECTIVELY "EMERSON") AND SHALL BE RETURNED UPON DEMAND AND SHALL NOT BE REPRODUCED IN WHOLE OR IN PART, DISCLOSED TO ANYONE ELSE OR USED, WITHOUT THE WRITTEN CONSENT OF EMERSON.					
MATERIAL SPECIFICATION		DRAWN BY	SUPERSEDES DWG NO / REV NO		
N/A		SAL	497-3193-00 / 004		
		DATE	SCALE	DATE FORMAT:	
		05-21-21	1:2	MM-DD-YY	
TITLE			DRAWING NUMBER	SHEET 3 OF 3 DWG	
REF DWG-COPE COMP ASSM			497-3193-00	4	
			SIZE		