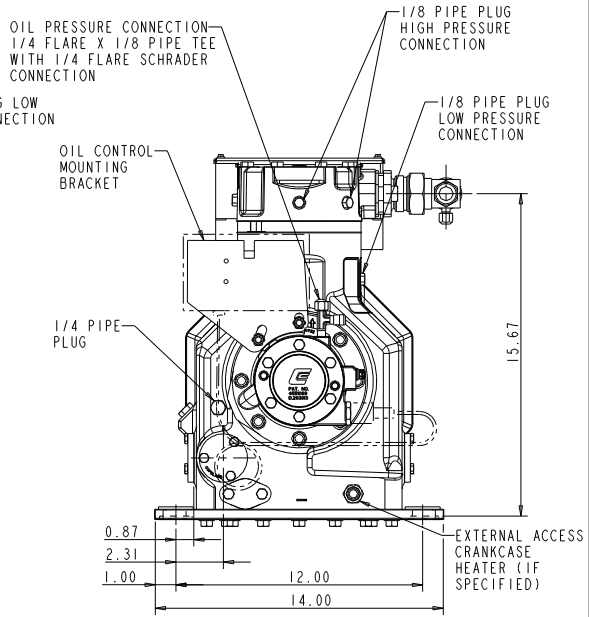
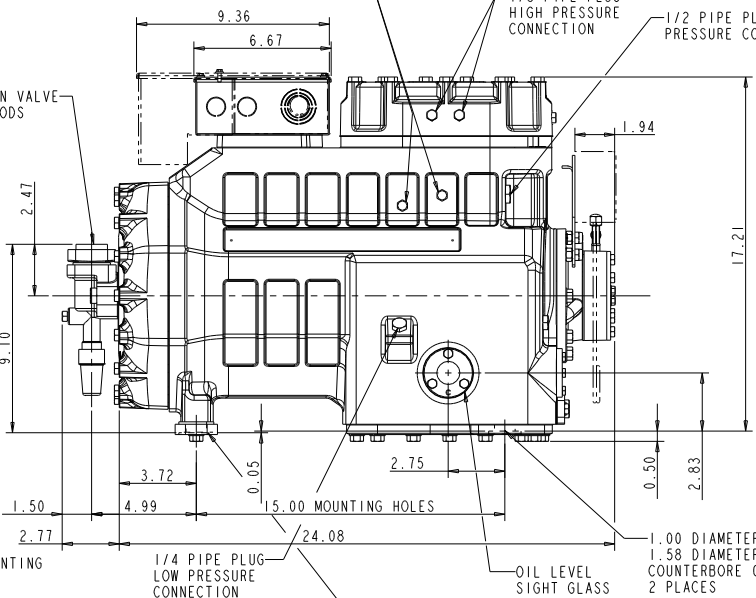
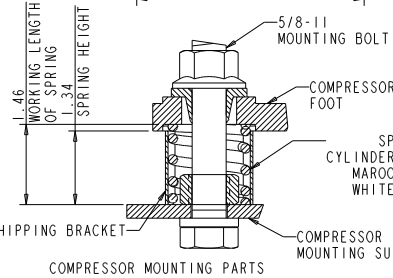
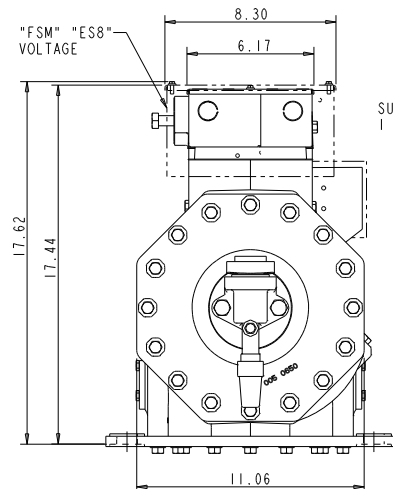
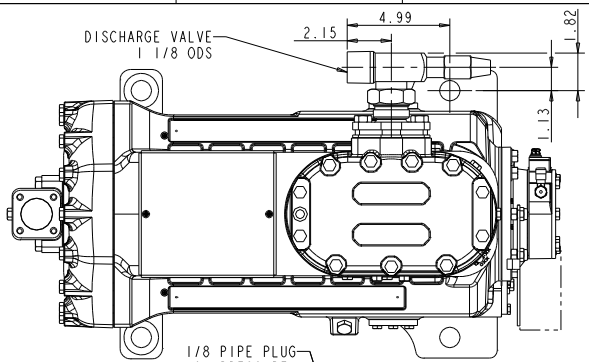
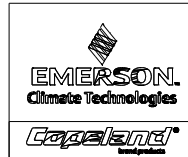


MODEL	OLD MODEL NUMBER
3DA3R10M	3DA3A075
3DB3R12M	3DB3A100
3DF3F26K	3DF3A075
3DF3F40K	3DF3A090
3DF3R15M	3DF3A120
3DS3F30K	3DS3A075
3DS3F46K	3DS3A100
3DB3F34K	-



NOTES:  
 1 ALL TOLERANCES ARE ± 0.094 EXCEPT INDUSTRY STANDARDS APPLY TO FITTINGS AND VALVES.



INTERPRET PER ASME Y14.5M-1994 AND EMERSON CLIMATE TECHNOLOGIES, INC. DESIGN STANDARDS DS2002 DO NOT SCALE DRAWING

THIRD ANGLE PROJECTION

UNLESS OTHERWISE SPECIFIED DIMENSIONS ARE INCH OR (MILLIMETER) TOLERANCES:  
 2-PLACE ±  
 3-PLACE ±  
 ANGULAR ±

ENG. NOTICE NO.	REV. NO.	REVISIONS	DATE	BY	CHKD	APPR.
31-0806-011	25	REDRAWN WITH CHANGES	05-14-98	KRG	SS	
31-1085-013	0	RELEASED	12-20-95	BN		

7

CONFIDENTIALITY NOTICE  
 THIS DRAWING AND INFORMATION CONTAINED HEREIN ARE THE EXCLUSIVE PROPERTY OF EMERSON CLIMATE TECHNOLOGIES, INC. AND SHALL BE RETURNED UPON DEMAND AND SHALL NOT BE REPRODUCED IN WHOLE OR IN PART DISCLOSED TO ANYONE ELSE OR USED, WITHOUT THE WRITTEN CONSENT OF EMERSON CLIMATE TECHNOLOGIES, INC.

MATERIAL SPECIFICATION	DESIGN BY	SUPERSEDES DWG. NO.	REV. NO.
N/A	KRG	497-0150-00	7 24

DATE	SCALE	DATE FORMAT
05-14-08	3:8	MM-DD-YY

TITLE	DRAWING NUMBER	SHEET 1 OF 1
REF DWG - COPE COMP ASSY	497-0150-00	4