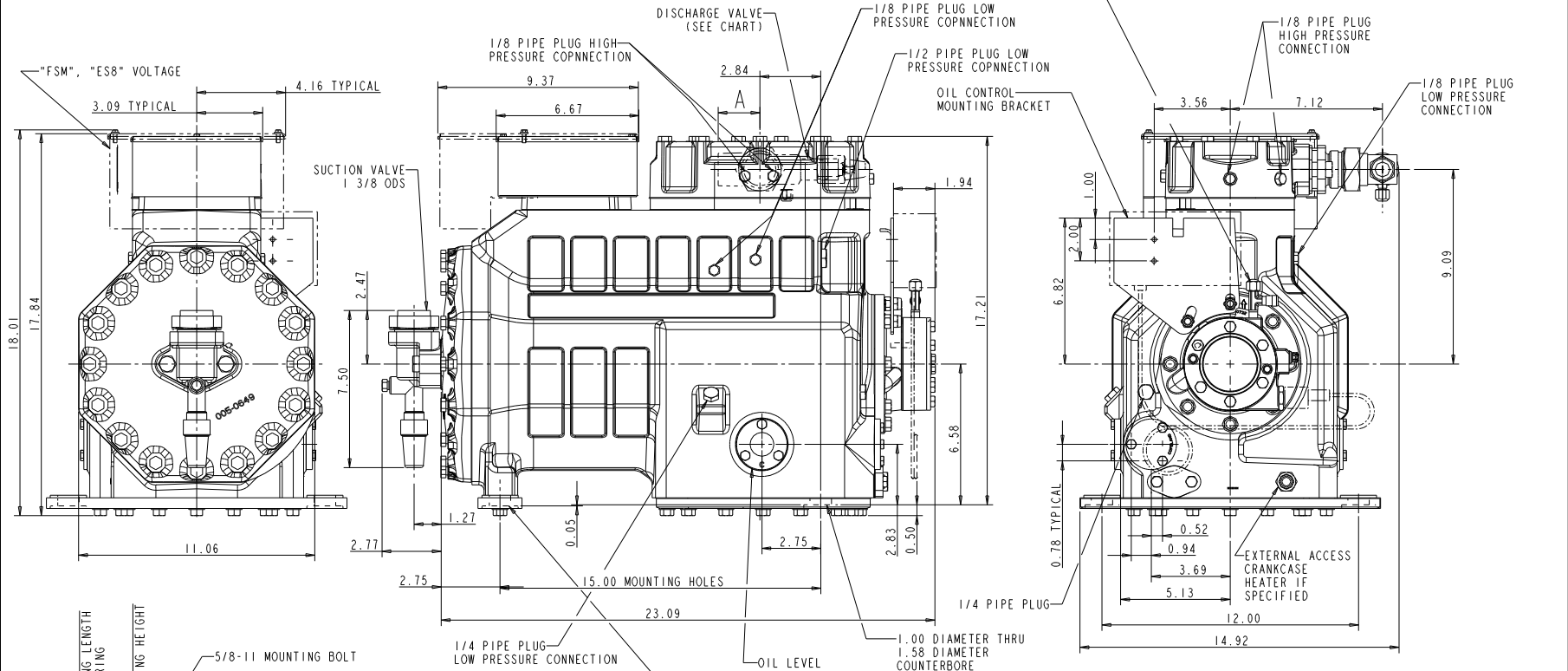
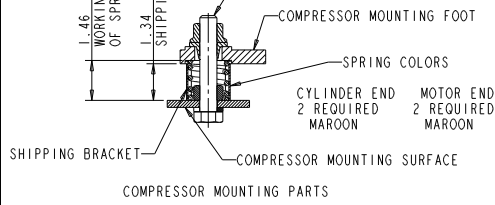


MODEL	A	DISCHARGE VALVE	OLD MODEL NUMBER
3DA3F18K	1.96	7/8 ODS	3DA3A050
3DA3F28K	2.15	1 1/8 ODS	3DA3A060
3DB3F22K	1.96	7/8 ODS	3DB3A050
3DB3F33K	2.15	1 1/8 ODS	3DB3A075
3DB3F27K	2.15	1 1/8 ODS	3DB3A0900-T



NOTE:
 ▲ ALL TOLERANCES ARE ±0.094 EXCEPT INDUSTRY STANDARDS APPLY TO FITTINGS AND VALVES.



INTERPRET PER ASME Y14.5M-1994 AND EMERSON CLIMATE TECHNOLOGIES, INC. DESIGN STANDARDS DS2002 DO NOT SCALE DRAWING

THIRD ANGLE PROJECTION

UNLESS OTHERWISE SPECIFIED DIMENSIONS ARE INCH OR (MILLIMETER)

2-PLACE ±
 3-PLACE ±
 ANGULAR ±

ENG NOTICE NO.	REV. NO.	REVISIONS	DATE	BY	CHD	APPR
31-0806-011	21	REDRAWN WITH CHANGES	01-15-99	VSK	SS	
31-1085-013	0	RELEASED	12-20-95	RN		

CONFIDENTIALITY NOTICE

7 THIS DRAWING AND INFORMATION CONTAINED HEREIN ARE THE EXCLUSIVE PROPERTY OF EMERSON CLIMATE TECHNOLOGIES, INC. AND SHALL BE RETURNED UPON DEMAND AND SHALL NOT BE REPRODUCED IN WHOLE OR IN PART DISCLOSED TO ANYONE ELSE OR USED, WITHOUT THE WRITTEN CONSENT OF EMERSON CLIMATE TECHNOLOGIES, INC.

MATERIAL SPECIFICATION: N/A

DESIGNED BY: VSK

DATE: 01-15-09

SCALE: 1:2

SUPERSEDES ENG. NO. 7 REV. NO. 497-0149-00 / 20

DATE FORMAT: MM-DD-YY

TITLE: REF DWG - COPE COMP ASSY

DRAWING NUMBER: 497-0149-00

SHEET 1 OF 1