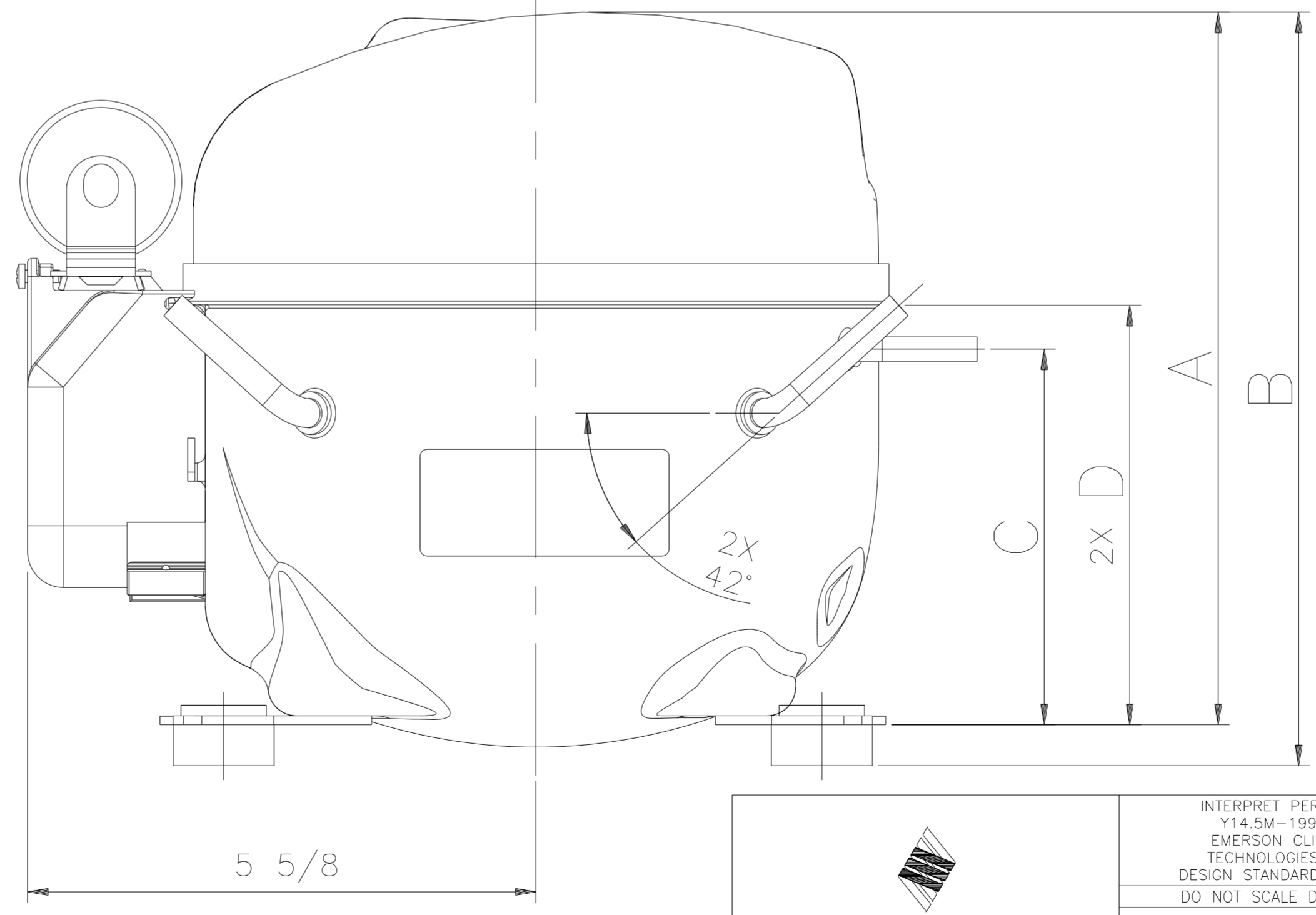
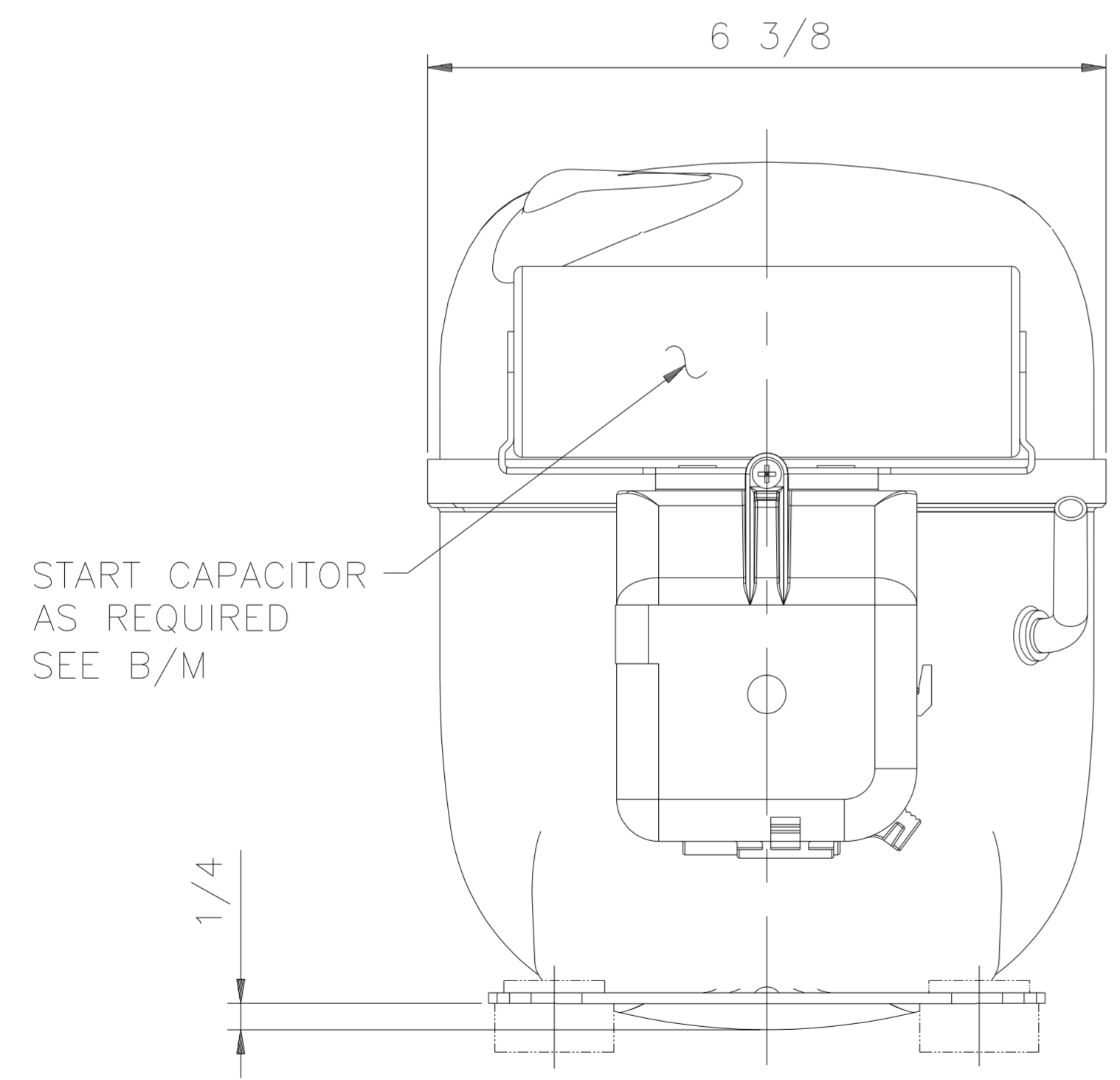
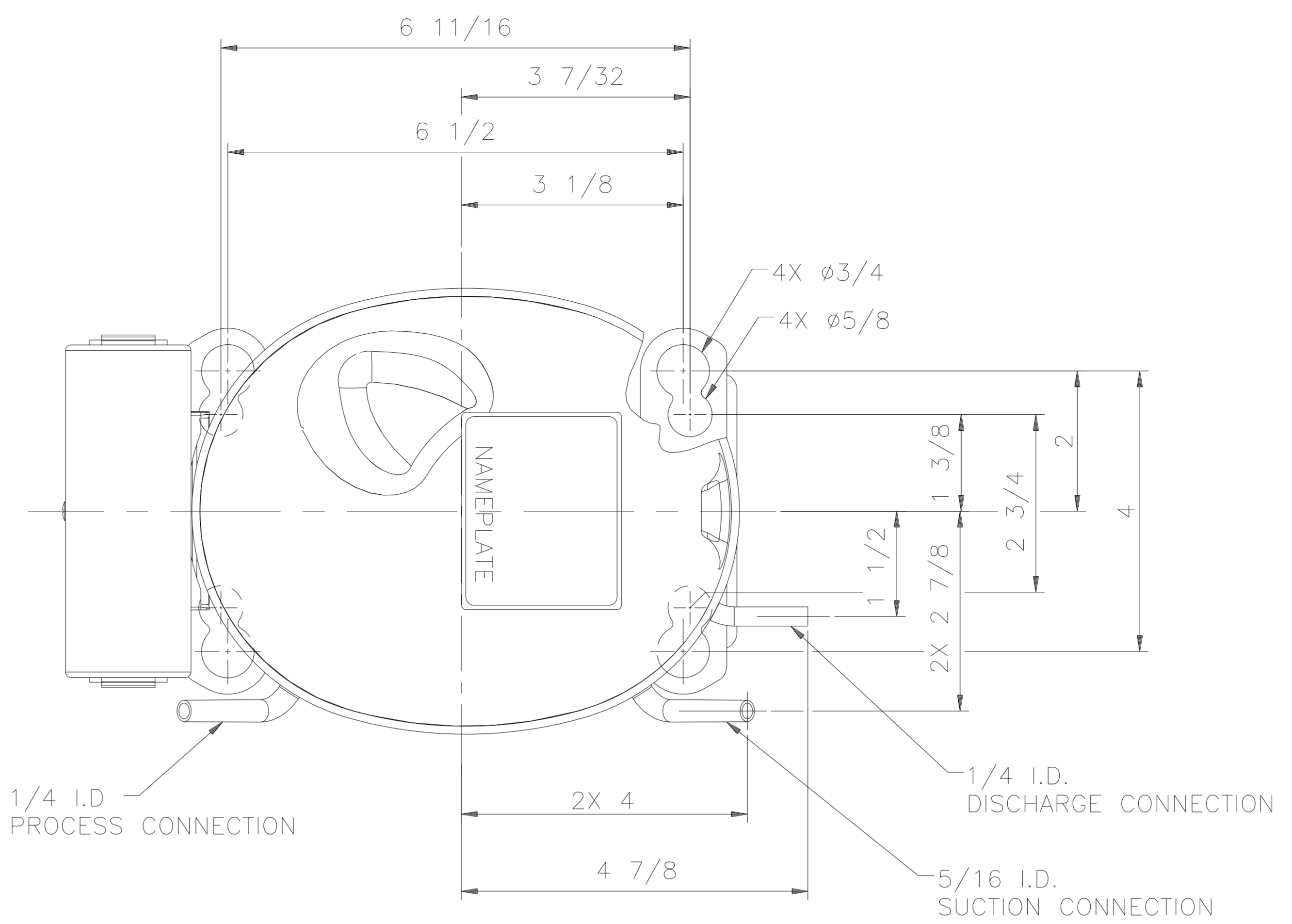


MODEL	A	B	C	D
ARE35C3-IAA	7 7/8	8 1/4	4 3/16	4 5/8
ARE35C3-IAV	7 7/8	8 1/4	4 3/16	4 5/8
ARE36C3-IAA	7 3/8	7 3/4	3 11/16	4 1/8
ARE36C3-SAA	7 3/8	7 3/4	3 11/16	4 1/8
ARE43C3-IAA	7 3/8	7 3/4	3 11/16	4 1/8
ARE43C3-IAZ	7 3/8	7 3/4	3 11/16	4 1/8
ARE47C3-IAA	7 3/8	7 3/4	3 11/16	4 1/8
ARE47C3-IAV	7 3/8	7 3/4	3 11/16	4 1/8
ARE47C3-IAZ	7 3/8	7 3/4	3 11/16	4 1/8
ARE59C3-CAA	8 1/8	8 1/2	4 3/16	4 5/8
ARE59C3-CAV	8 1/8	8 1/2	4 3/16	4 5/8
ARE59C3-CAZ	8 1/8	8 1/2	4 3/16	4 5/8

SPECIFICATIONS	
ES NO.	DESCRIPTION
ES92-155	CONVERSION-METRIC



**EMERSON**  
Climate Technologies

**Copeland**  
brand products

INTERPRET PER ASME Y14.5M-1994 AND EMERSON CLIMATE TECHNOLOGIES, INC. DESIGN STANDARDS\_DS2002 DO NOT SCALE DRAWING

THIRD ANGLE PROJECTION

UNLESS OTHERWISE SPECIFIED DIMENSIONS ARE INCH OR (MILLIMETER) TOLERANCES:  
2-PLACE  $\pm$  N/A  
3-PLACE  $\pm$  N/A  
ANGULAR  $\pm$  N/A

34-0606-019	7	REDRAWN WITH CHANGES	02-09-07	BF	CHK
32-0599-005	0	RELEASED	05-07-99	WF	WF
ENG NOTICE NO.	REV.NO.	REVISIONS	DATE	BY	CHKD APPR
20		<b>CONFIDENTIALITY NOTICE</b> THIS DRAWING AND INFORMATION CONTAINED HEREIN ARE THE EXCLUSIVE PROPERTY OF EMERSON CLIMATE TECHNOLOGIES, INC. AND SHALL BE RETURNED UPON DEMAND AND SHALL NOT BE REPRODUCED IN WHOLE OR IN PART TO ANYONE ELSE OR USED, WITHOUT THE WRITTEN CONSENT OF EMERSON CLIMATE TECHNOLOGIES, INC.			
MATERIAL SPECIFICATION		DRAWN BY	SUPERSEDES DWG. NO. / REV. NO.		
N/A		REM	497-2738-00 / 6		
		DATE	SCALE	DATE FORMAT:	
		02-08-07	NONE	MM-DD-YY	
TITLE		DRAWING NUMBER		SHEET 1 OF 1	
REF DWG - WELD COMP ASSM		497-2738-00		DWG 4	
				SIZE	
				4	