

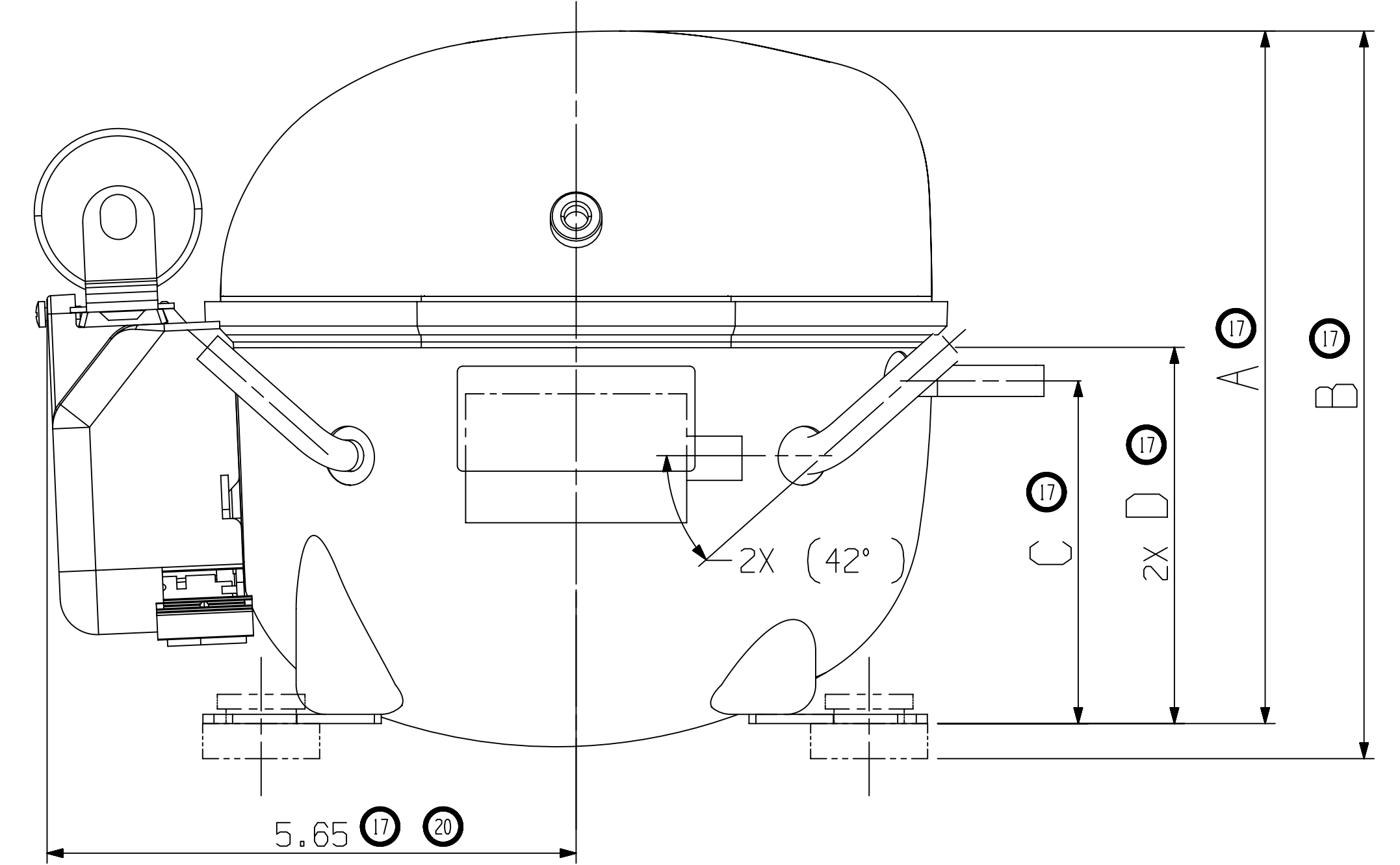
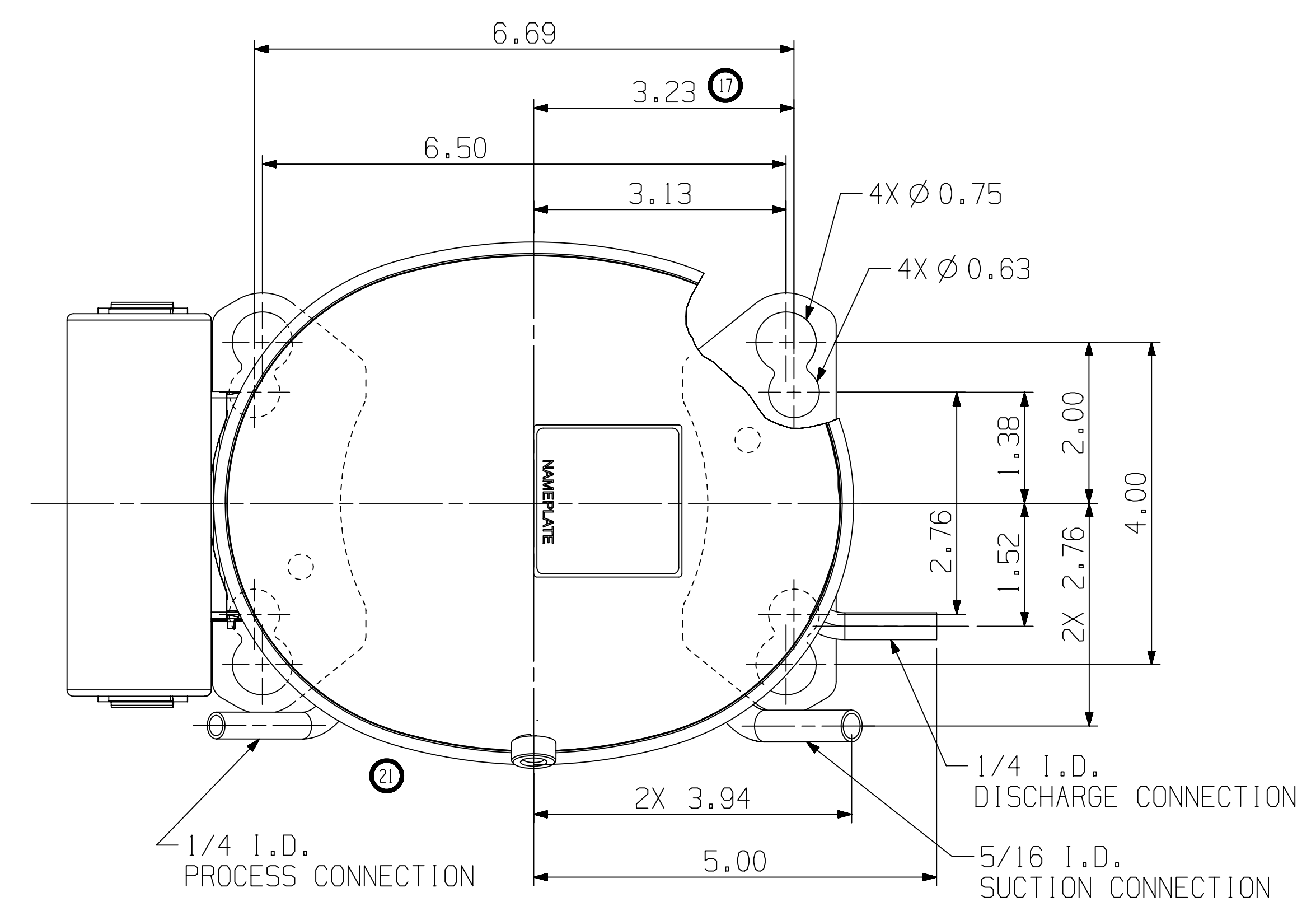
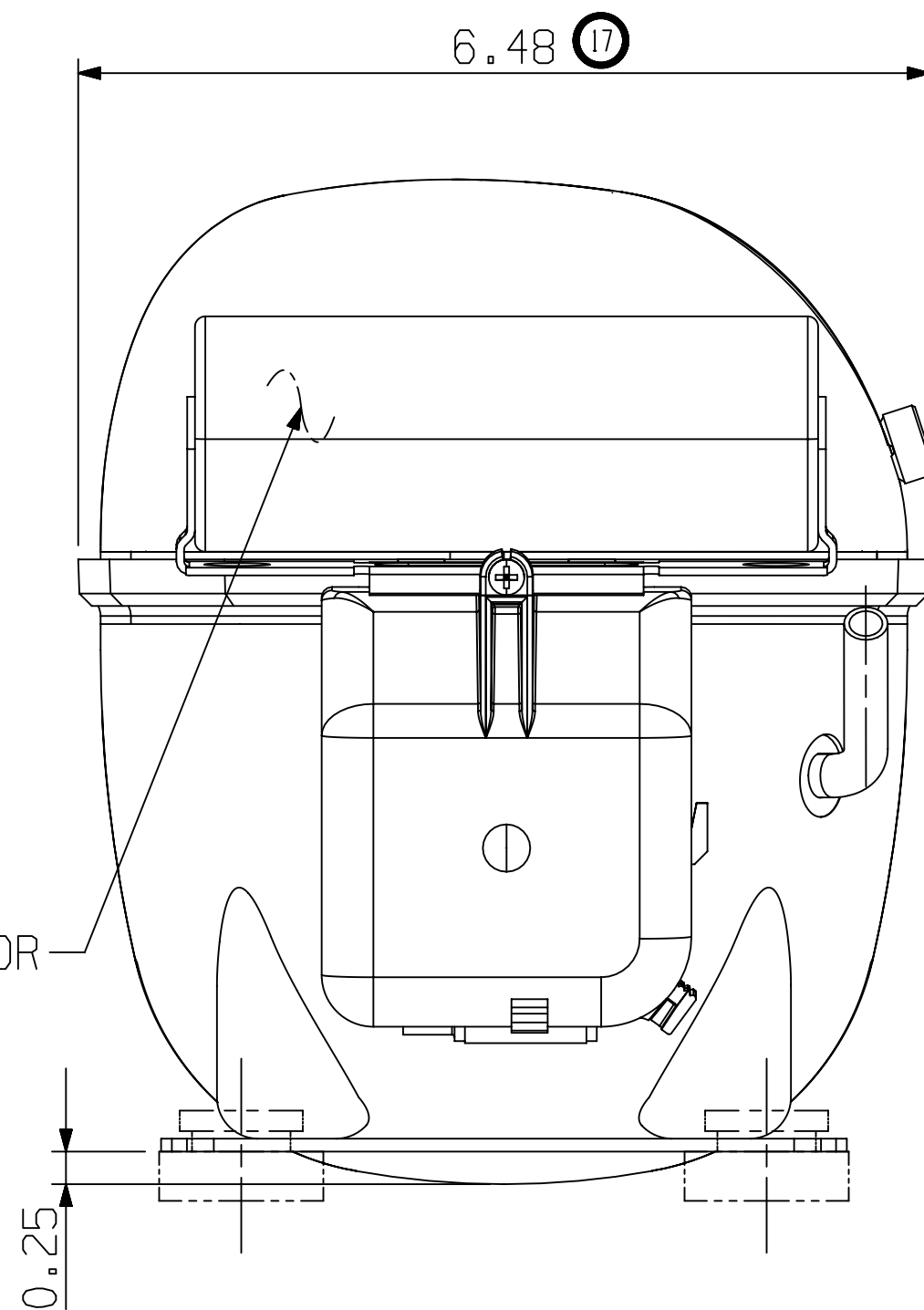
PART NUMBER	MODEL	A	B	C	D
497-2844-00	AFE05C4E-1AA	7.40	7.78	3.66	4.02
	AFE06C4E-1AA				
	AFE08C4E-1AA				
	AFE08C4E-1AZ				
	AFE11C4E-1AA				
	ARE13C4E-1AA				
	ARE17C4E-1AA				
	ARE25C4E-1AA				
	ARE29C4E-1AA				
	ASE12C4E-1AA				
	ASE14C4E-1AA				
	ASE19C4E-1AA				
	ASE20C4E-1AA				
	ASE20C4E-CAA				
	AFE11C4E-1AZ				
	ARE25C4E-1AZ				
	ARE29C4E-1AZ				
	ASE20C4E-1AV				
	ASE20C4E-1AZ				
	ARE11C4E-1AV				
ARE25C4E-1AV					
497-2844-01	AFE13C4E-1AA	7.87	8.25	4.13	4.49
	AFE13C4E-1AZ				
	ARE29C4E-1A1				
	ARE34C4E-1AA				
	ARE34C4E-1AZ				
	ARE40C4E-1AA				
	ASE26C4E-CAA				
ASE26C4E-1AA					
ASE26C4E-1AZ					
497-2844-02	AFE12C4E-1AA	8.11	8.49	4.13	4.49
	AFE12C4E-1AZ				
	AFE13C4E-1AV				
	AFE17C4E-CAA				
	AFE17C4E-1AA				
	AFE17C4E-1AV				
	AFE17C4E-1AZ				
	ARE34C4E-1AV				
	ARE46C4E-1AA				
	ARE51C4E-CAA				
	ARE51C4E-1AV				
	ARE51C4E-1AZ				
	ASE35C4E-CAA				
ASE35C4E-1AA					

17 18 19 20

17 18 20

17 20

START CAPACITOR
AS REQUIRED
SEE BOM



ECN	REV.	DESCRIPTION	DATE	BY	CHKD
ECN311462	21	ADDED CCH RETAIN MOUNTING HOLES	07-01-19	JSK	JSK
ECN309251	20	CHANGED DIMENSIONS C & D	11-12-18	RKP	JSK
ECN303143	19	ADDED MODEL ASE20C4E-1AZ TO -00	02-13-18	JSK	JSK
ECN302306	18	ADDED MODEL ARE29C4E-1A1 TO -01	02-08-18	RKP	JSK
ECN302606	17	REDRAWN WITH CHANGES	07-31-17	JSK	JSK
ECN004145	0	RELEASED	10-04-11	JSK	JWO

ENG NOTICE NO.	REV. NO.	REVISIONS	DATE	BY	CHKD
20		CONFIDENTIALITY NOTICE			
THIS DRAWING AND INFORMATION CONTAINED HEREIN ARE THE EXCLUSIVE PROPERTY OF EMERSON CLIMATE TECHNOLOGIES, INC AND/OR ITS AFFILIATES (COLLECTIVELY "EMERSON") AND SHALL BE RETURNED UPON DEMAND AND SHALL NOT BE REPRODUCED IN WHOLE OR IN PART, DISCLOSED TO ANYONE ELSE OR USED, WITHOUT THE WRITTEN CONSENT OF EMERSON.					
MATERIAL SPECIFICATION		DRAWN BY	SUPERSEDES DWG NO /	REV NO	
N/A		JSK	497-2844-00 /	16	
		DATE	SCALE	DATE FORMAT:	
		07-31-17	1:2	MM-DD-YY	
TITLE			DRAWING NUMBER	SHEET 1 OF 1 DWG	
REF DWG-WELD COMP ASSM			497-2844-00	4	
				SIZE	
				4	



INTERPRET PER ASME
Y14.5M-1994 AND
EMERSON DESIGN
STANDARDS DS2002

DO NOT SCALE DRAWING

CRITICAL PRODUCT CHARACTERISTICS

UNLESS OTHERWISE SPECIFIED
DIMENSIONS ARE INCH OR (MILLIMETER)

TOLERANCES:
2-PLACE ± N/A
3-PLACE ± N/A
ANGULAR ± N/A

© COPYRIGHT EMERSON - CONFIDENTIAL

UNCONTROLLED - DO NOT MODIFY