

Ficha Tecnica



Model No: 056T11O5306

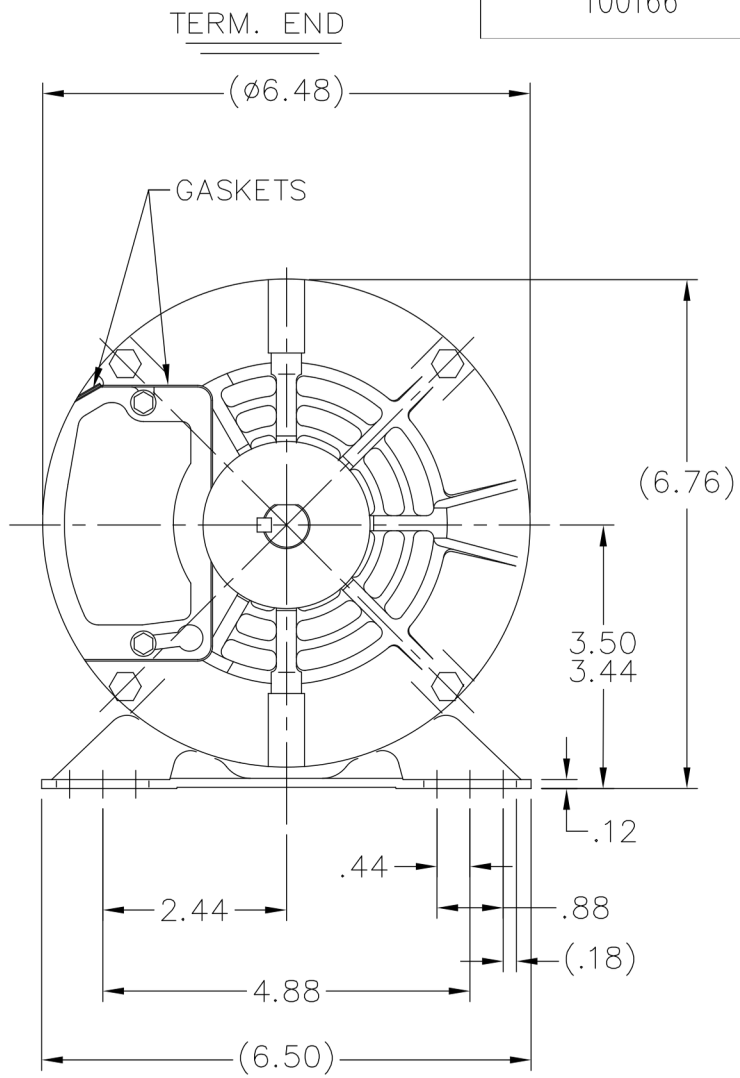
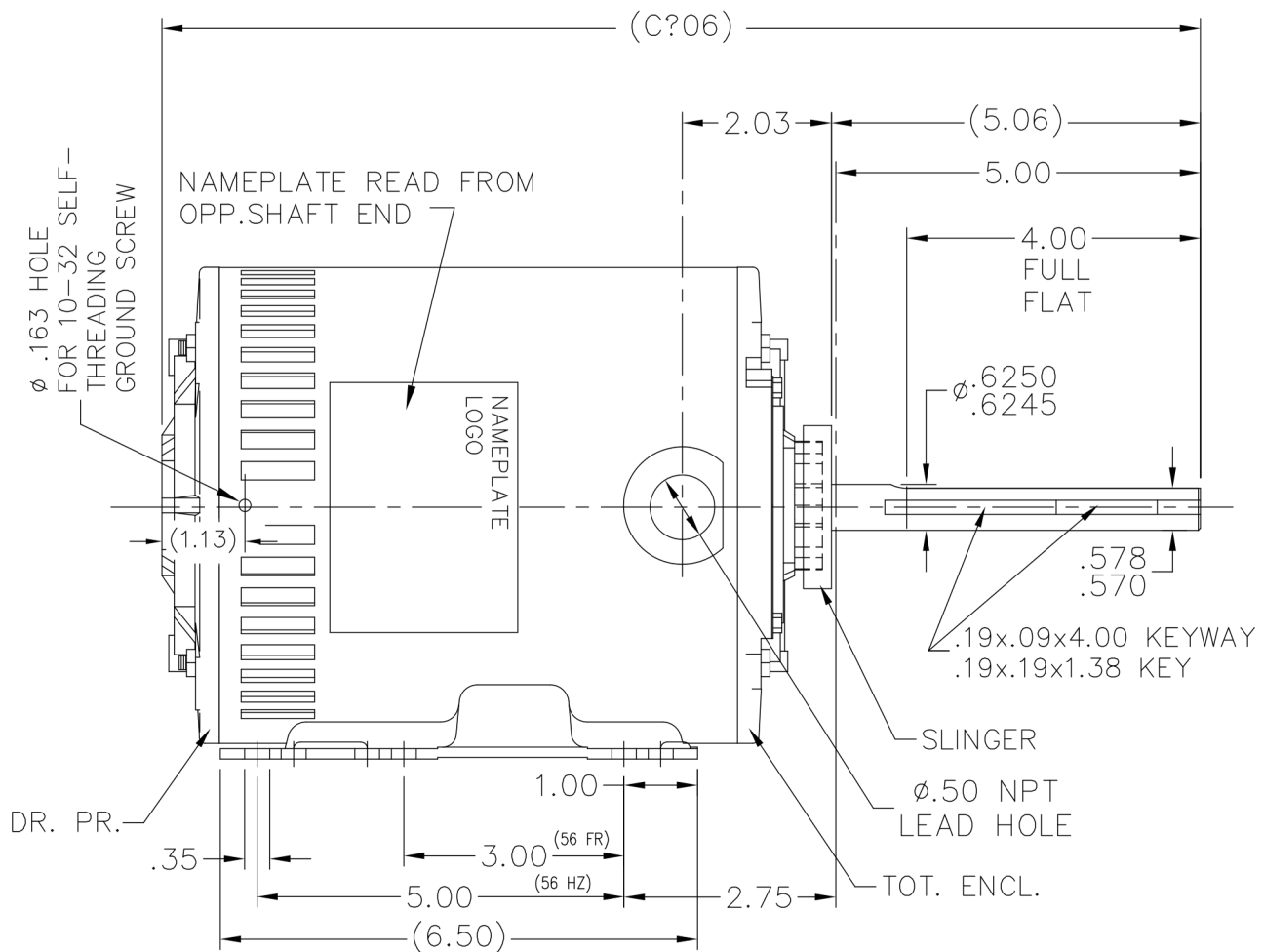
Catalog No: X523

Condenser Fan Motor, 1.50 & 1 HP, 3 Ph, 60 & 50 Hz, 208-230/460 & 190/380 V, 1200 & 1000 RPM,
56HZ Frame, OPAO



Servi climas y Calefacciones Monterrey S.A DE C.V
Av.Cristóbal Colon Ote #1032 Col.Centro C.P 64000 Nuevo León
México www.climamonterrey.com (81)8288-7500





DASH	FR.	C	DASH	FR.	C
706	56-70	14.18	906	56-90	16.18
756	56-75	14.68	956	56-95	16.68
806	56-80	15.18			
856	56-85	15.68			

NO.	REVISION	BY & DATE	CHK	ANG	±'30"
7	CHG FROM MARATHON TO REGAL REXNORD LOGO	KVDG 05-10-2024	DS	DEC.	INCHES
6	ADDED DASH VALUES	PBS 3/6/2007	NB	.X	±.1
5	REVISED FLAT TO 3 PLACE DECIMAL TOLERANCE	TAT 03-14-2005	ML	.XX	±.03
4	REDRAWN IN AUTOCAD	TAT 08-03-2004	ML	.XXX	±.005
3	REDRAWN ON CADD	MJD 04-02-1998		.XXXX	±.0005

TOLERANCES UNLESS SPECIFIED	
DEC.	INCHES
.X	±.1
.XX	±.03
.XXX	±.005
.XXXX	±.0005
ANG	±'30"

Regal Rexnord Regal Beloit America, Inc.

TITLE OUTLINE
56 FR. CONDENSER MOTOR

MAT'L.

FINISH

DRAWN	MJD	03-27-1998
CHK	ML	04-02-1998
APPD	GK	04-02-1998
SCALE	3=8	
REF		
FMF		
PREV		

THIS DRAWING IN DESIGN AND DETAIL IS OUR PROPERTY AND MUST NOT BE USED EXCEPT IN CONNECTION WITH OUR WORK ALL RIGHTS OF DESIGN AND INVENTION ARE RESERVED THIS IS AN ELECTRONICALLY GENERATED DOCUMENT - DO NOT SCALE THIS PRINT

RFP
DIST WP

CAD FILE 100166

2 of 2

SIZE	DRAWING NO.	PAGE	OF	REV.
A	100166			6